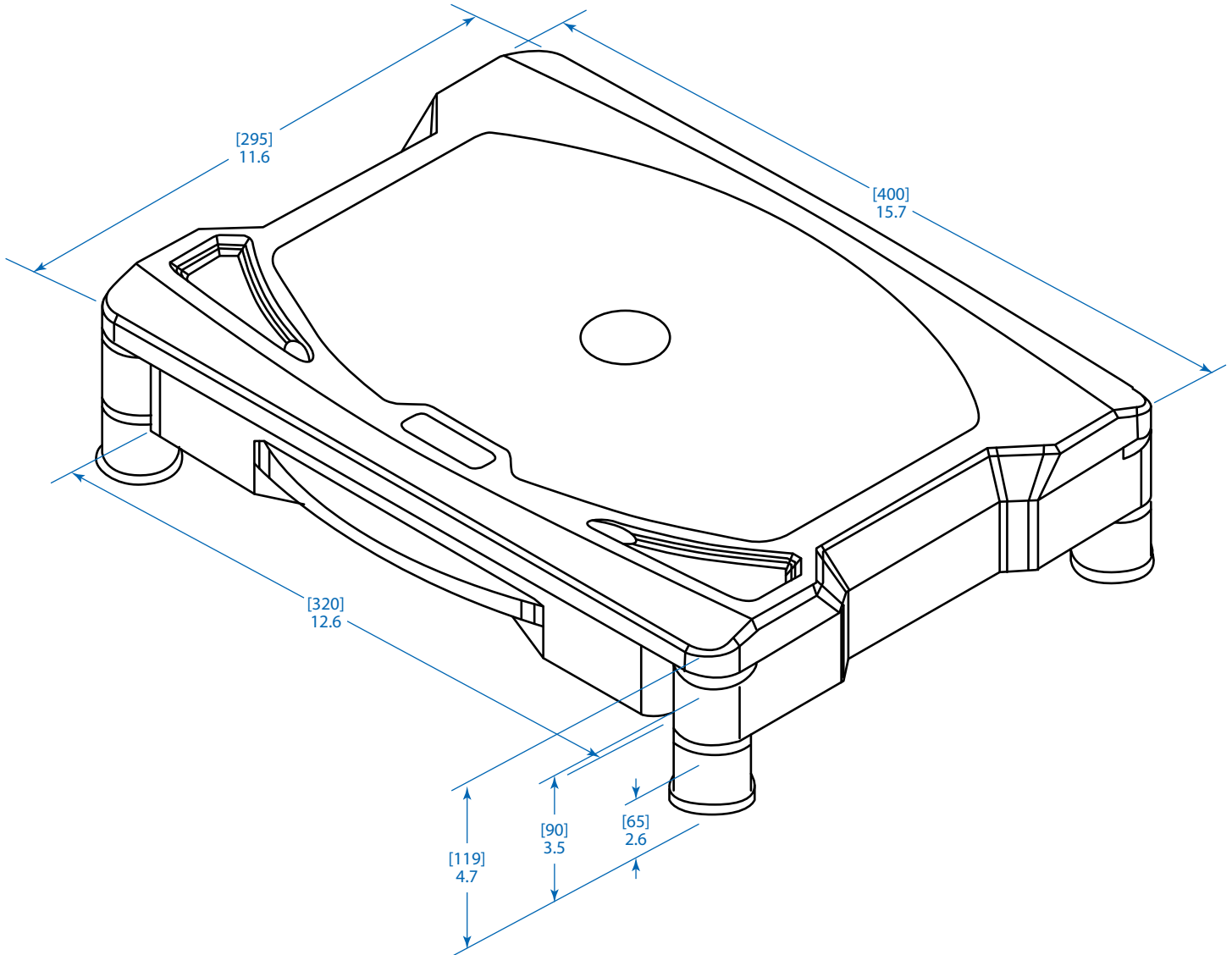


MODEL:

# MR1612D1

## Universal LCD Monitor/Printer Riser



- Frees up valuable space on your desk, table or workstation by placing a monitor 2.6 or 4.7 inches above the surface.
- A convenient storage drawer keeps paper clips, pins and other essential office supplies within reach.
- An extra-large plastic platform supports up to 40 pounds.
- Rubber rings secure the riser in place on smooth surfaces.
- Assembles in just seconds—no tools required.

### Specifications

Model	MR1612D1
Load Rating*	40 lb. / 18 kg
Unit Height (Variable)	2.6 in. / 65 mm (No Riser) 3.5 in. / 90 mm (x1 Riser) 4.7 in. / 119 mm (x2 Riser)
Unit Width	15.8 in. / 400 mm
Unit Depth	11.6 in. / 295 mm
Shipping Dimensions (H x W x D)	16 x 2.9 x 16 in. / 406 x 74 x 406 mm
Unit Weight	2.7 lb. / 1.2 kg
Shipping Weight	3.1 lb. / 1.4 kg

\* The load rating includes the combined weight of the unit and installed equipment.

Dimensions: [mm] INCHES

Tripp Lite has a policy of continuous improvement. Specifications are subject to change without notice.



1111 W. 35th Street  
Chicago, IL 60609 USA  
773.869.1234  
www.tripplite.com