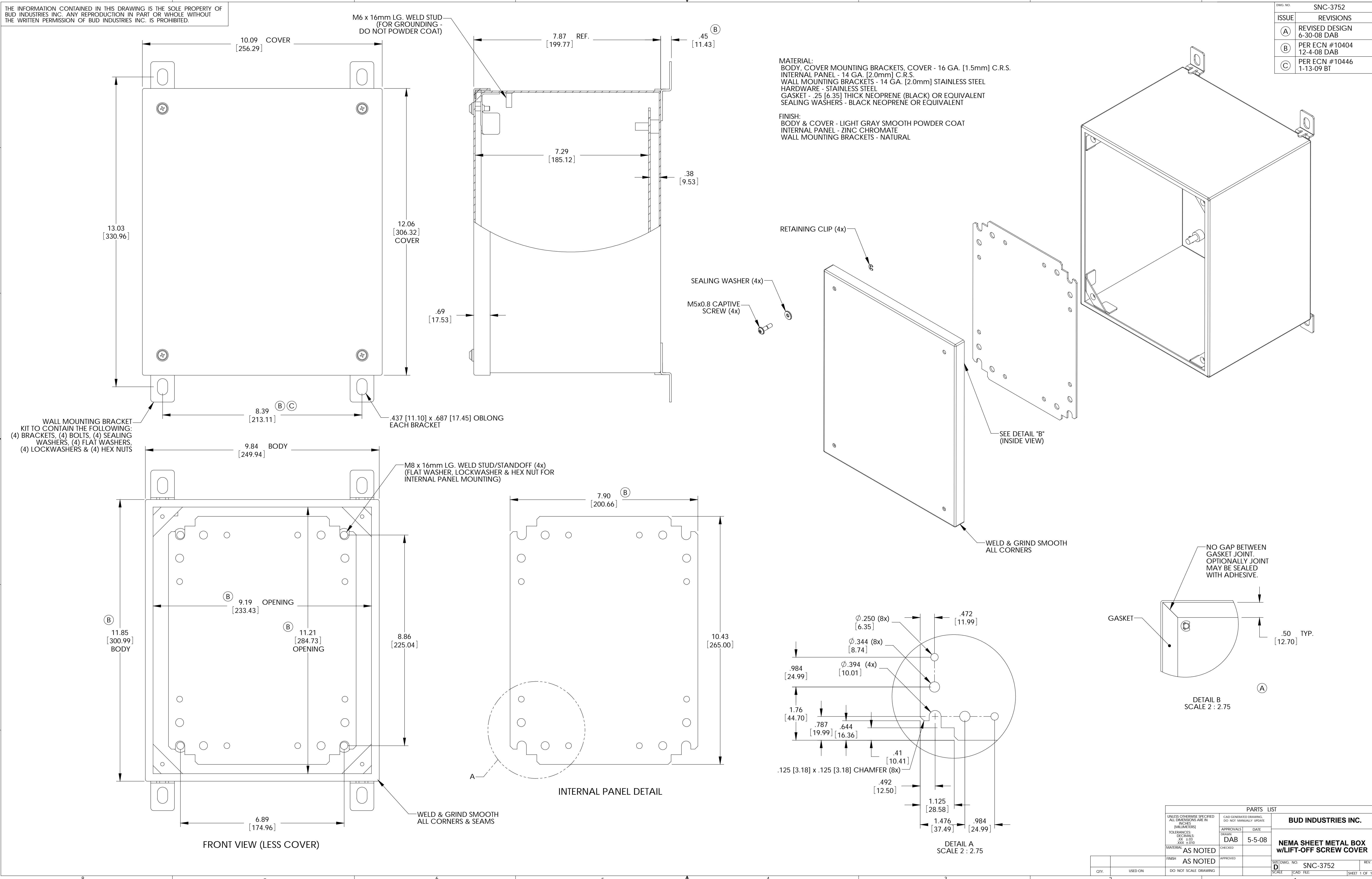


THE INFORMATION CONTAINED IN THIS DRAWING IS THE SOLE PROPERTY OF BUD INDUSTRIES INC. ANY REPRODUCTION IN PART OR WHOLE WITHOUT THE WRITTEN PERMISSION OF BUD INDUSTRIES INC. IS PROHIBITED.

ISSUE		REVISIONS
(A)	REVISED DESIGN	6-30-08 DAB
(B)	PER ECN #10404	12-4-08 DAB
(C)	PER ECN #10446	1-13-09 BT

MATERIAL:
 BODY, COVER MOUNTING BRACKETS, COVER - 16 GA. [1.5mm] C.R.S.
 INTERNAL PANEL - 14 GA. [2.0mm] C.R.S.
 WALL MOUNTING BRACKETS - 14 GA. [2.0mm] STAINLESS STEEL
 HARDWARE - STAINLESS STEEL
 GASKET - .25 [6.35] THICK NEOPRENE (BLACK) OR EQUIVALENT
 SEALING WASHERS - BLACK NEOPRENE OR EQUIVALENT

FINISH:
 BODY & COVER - LIGHT GRAY SMOOTH POWDER COAT
 INTERNAL PANEL - ZINC CHROMATE
 WALL MOUNTING BRACKETS - NATURAL



WALL MOUNTING BRACKET KIT TO CONTAIN THE FOLLOWING:
 (4) BRACKETS, (4) BOLTS, (4) SEALING WASHERS, (4) FLAT WASHERS, (4) LOCKWASHERS & (4) HEX NUTS

FRONT VIEW (LESS COVER)

INTERNAL PANEL DETAIL

DETAIL A SCALE 2 : 2.75

DETAIL B SCALE 2 : 2.75

UNLESS OTHERWISE SPECIFIED ALL DIMENSIONS ARE IN INCHES (MILLIMETERS)		PARTS LIST	
TOLERANCES - DIMENSIONS: .XX, .X, .X(10)	MATERIAL: AS NOTED	APPROVALS: DAB	DATE: 5-5-08
FINISH: AS NOTED	APPROVED:	BUD INDUSTRIES INC.	
DO NOT SCALE DRAWING	SCALE: [CAD FILE]	NEMA SHEET METAL BOX w/LIFT-OFF SCREW COVER	

QTY.	USED ON	DO NOT SCALE DRAWING	SCALE	SIZE [DWG: NO]	REV.
				SNC-3752	