

THIS DRAWING IS UNPUBLISHED.

RELEASED FOR PUBLICATION

ALL RIGHTS RESERVED.

© COPYRIGHT - By -

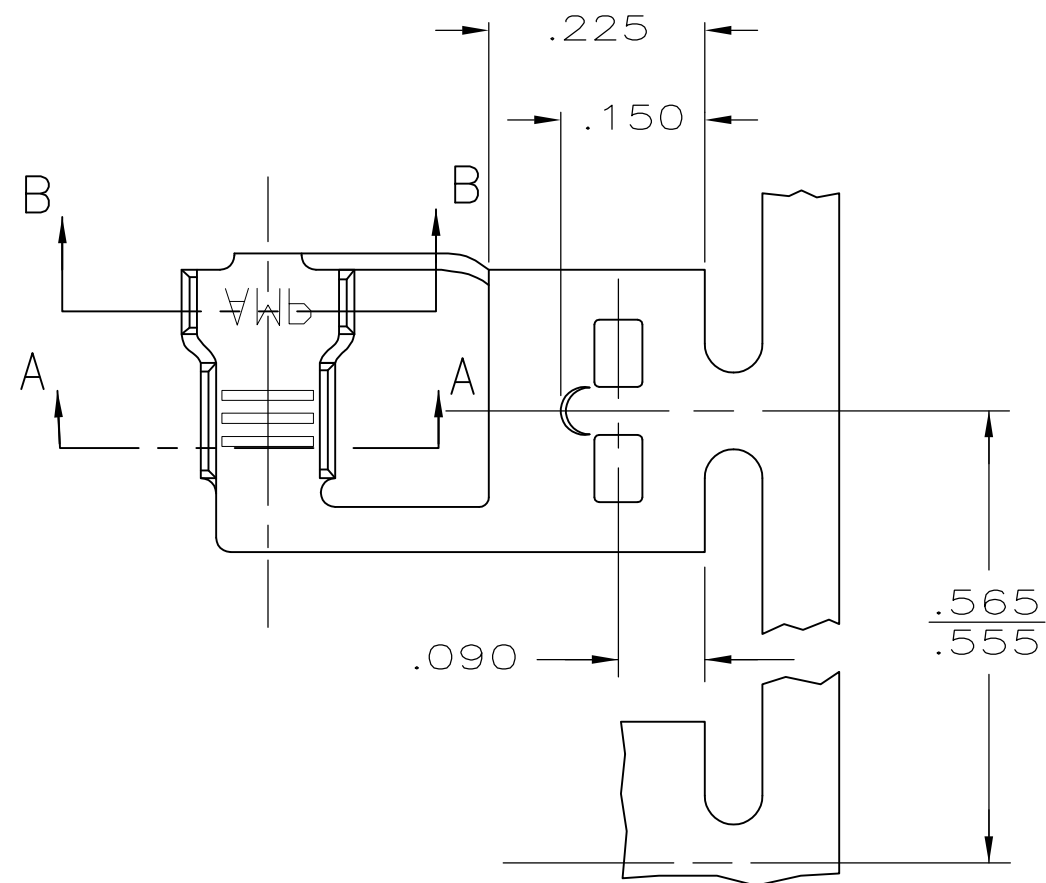
LOC
AF

DIST
50

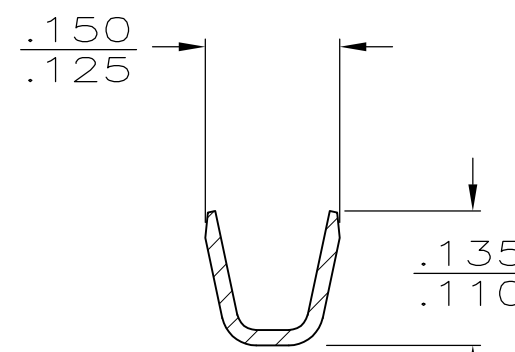
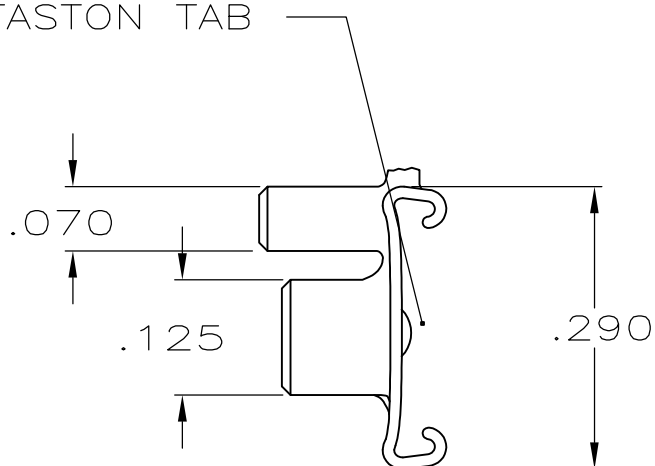
REVISIONS

P	LTR	DESCRIPTION	DATE	DWN	APVD
	H	REVISED PER ECR-12-013459	27NOV2012	KH	PD

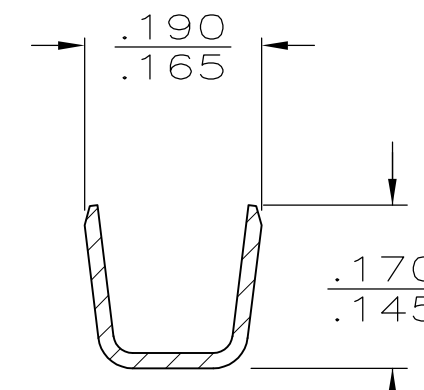
1 CONTINUOUS STRIP ON REELS.



FITS .250 SERIES FASTON TAB



SECTION A-A



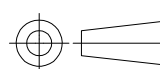
SECTION B-B

.090-.140	22-16	.032	NICKEL	.016 STEEL	62418-3
.090-.140	22-16	.032	TIN	BRASS	62418-2
.090-.140	22-16	.032	---	BRASS	62418-1
INSUL RANGE	WIRE SIZE	TAB THK ±.001	FINISH	MATERIAL	PART NO.

F	.155	.188	F	.090	.067	16
					.060	18
					.056	20
					.054	22
TYPE	WIDTH	STRIP LENGTH ±.015	TYPE	WIDTH	±.002 HEIGHT	WIRE
INSUL BARREL CRIMP			WIRE BARREL CRIMP			

THIS DRAWING IS A CONTROLLED DOCUMENT.

DIMENSIONS:
INCHES



TOLERANCES UNLESS OTHERWISE SPECIFIED:

0 PLC	± -
1 PLC	± -
2 PLC	± -
3 PLC	± -.015
4 PLC	± -
ANGLES	± -
FINISH	± -

MATERIAL

-

DWN 10/7/85

JR RUTH

CHK 10/28/85

G YETTER

APVD 10/21/85

C MEYERS

PRODUCT SPEC

APPLICATION SPEC

114-2079

WEIGHT

-

NAME

.250 SERIES FLAG FASTON RECEPTACLE

SIZE

A3

CAGE CODE

00779

DRAWING NO

C-62418

RESTRICTED TO

-

CUSTOMER DRAWING

SCALE NTS

SHEET

1 OF 1

REV

H