

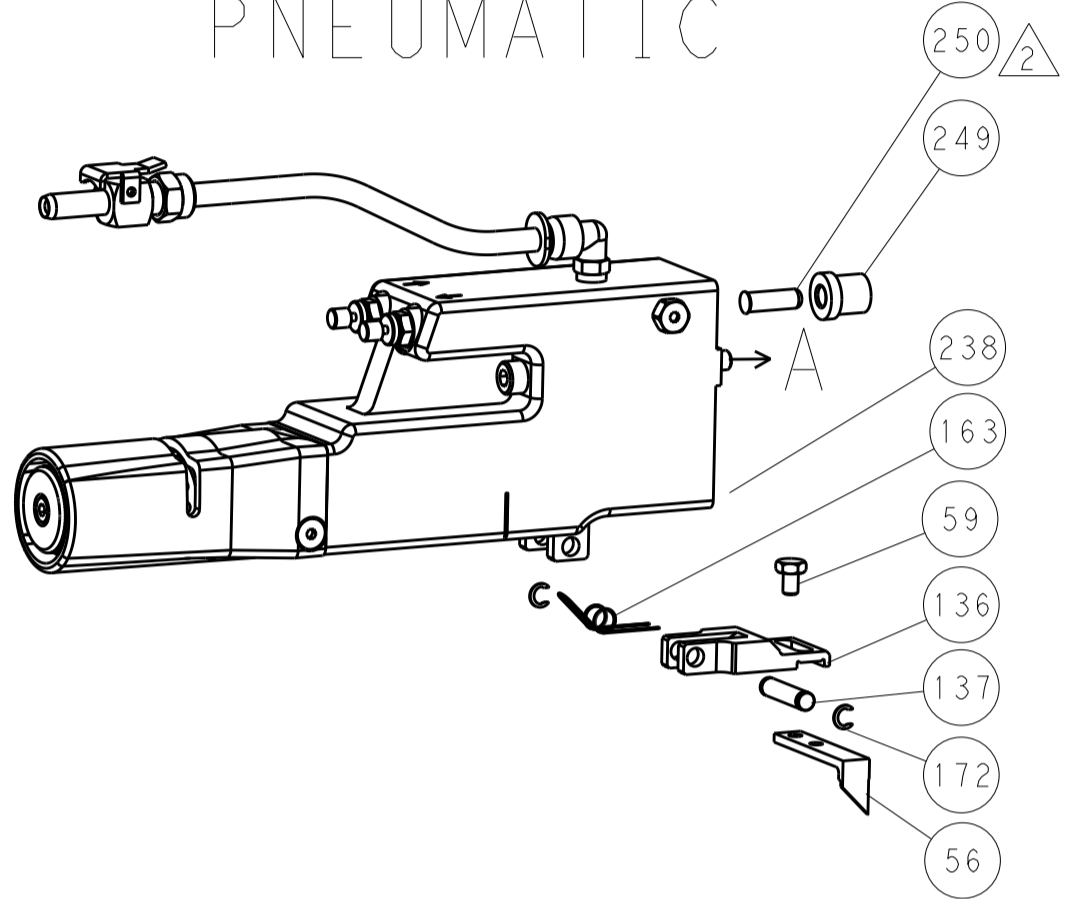


LOC		DIST		REVISIONS			
A	66	P	LTN	DESCRIPTION	DATE	DWN	APVD
		-		SEE SHEET 1			

### FEED TYPE MECHANICAL



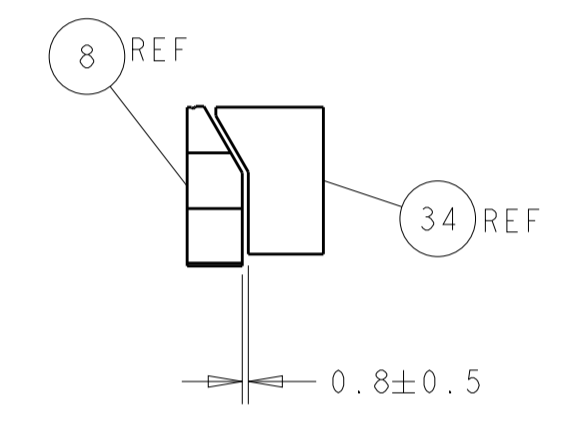
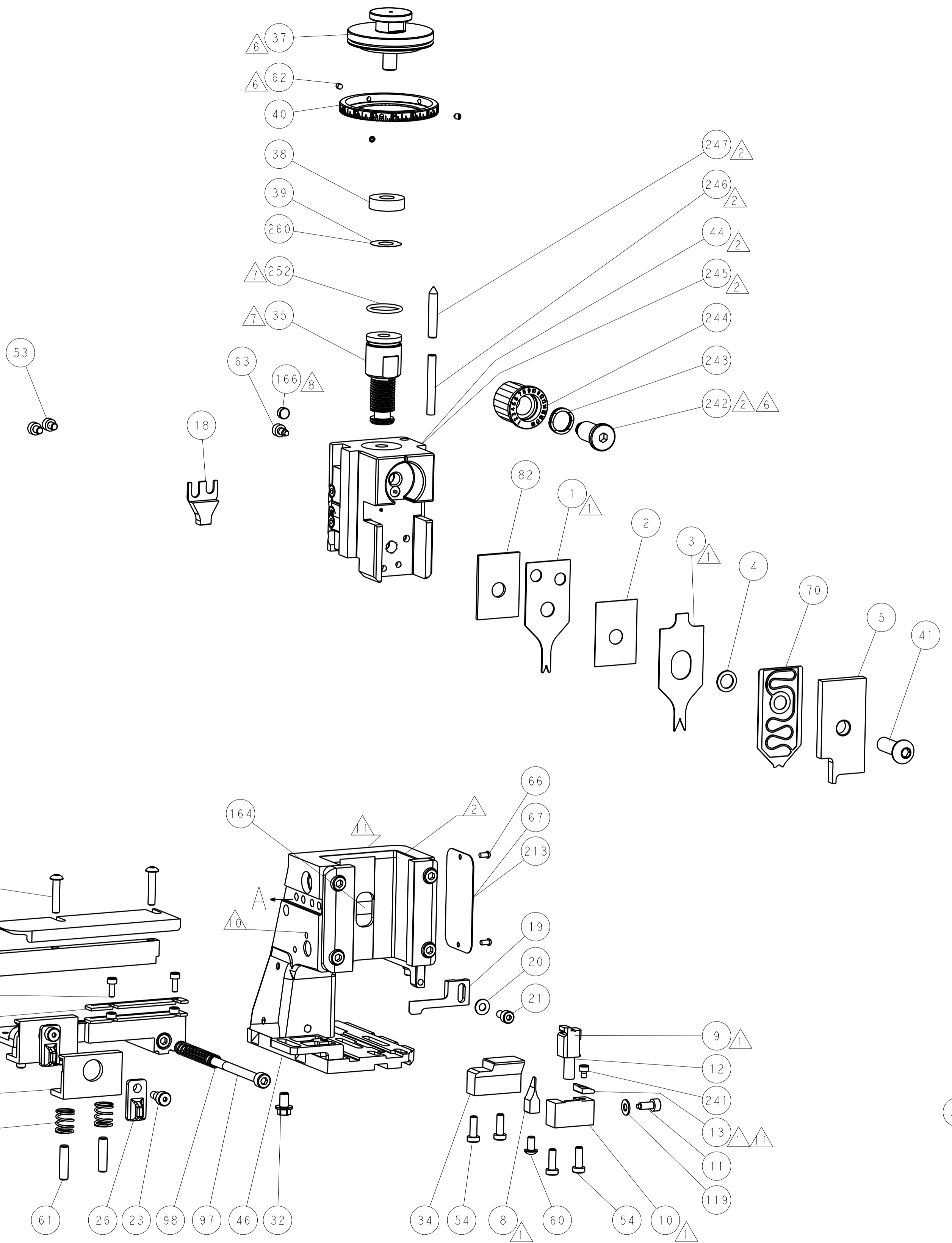
### PNEUMATIC



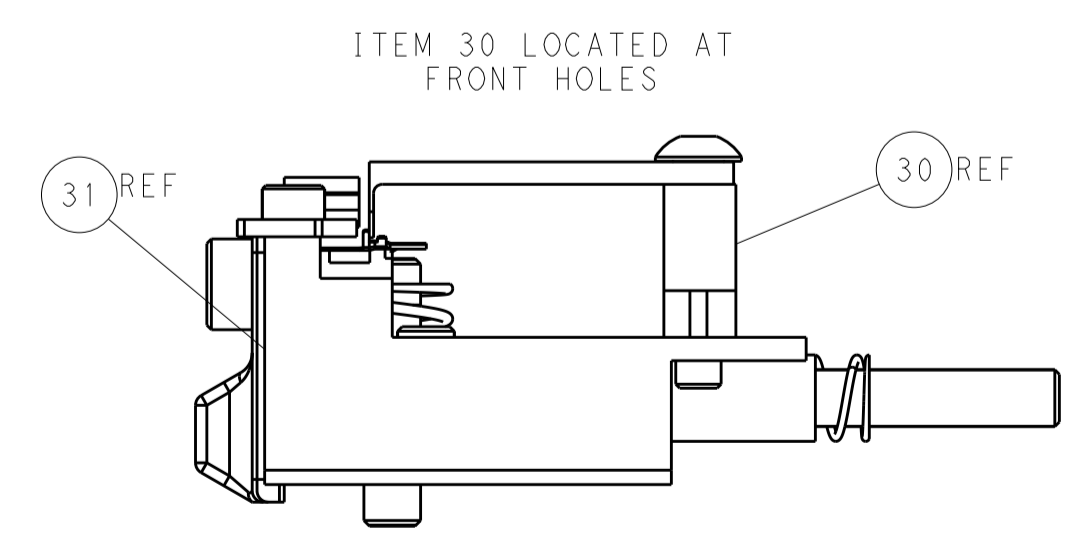
### SERVO LATCH PLATE



### CAM POSITIONS



TERMINAL SUPPORT LOCATION



FEED TRACK POSITION GUIDE BY INSULATION BARREL

**ATLANTIC VERSION**  
 Shown on sheets 1 of 4 & 2 of 4  
 (Pacific version shown on sheets 3 of 4 & 4 of 4)

DIMENSIONS:		TOLERANCES UNLESS OTHERWISE SPECIFIED:		DWN X.ZHAO 12DEC2013		TE Connectivity	
mm	0 PLC ±	1 PLC ±	2 PLC ±	3 PLC ±	4 PLC ±	Harrisburg, PA 17105-3608	
MATERIAL:		FINISH:		APVD T.ELBIN 12DEC2013		NAME	
				PRODUCT SPEC		Ocean Side Feed	
				APPLICATION SPEC		Applicator	
				WEIGHT		RESTRICTED TO	
				Customer Accessible Production Drawing		A1 00779 C=2266172	
				SCALE 1:2		SHEET 2 OF 4 REV B2	

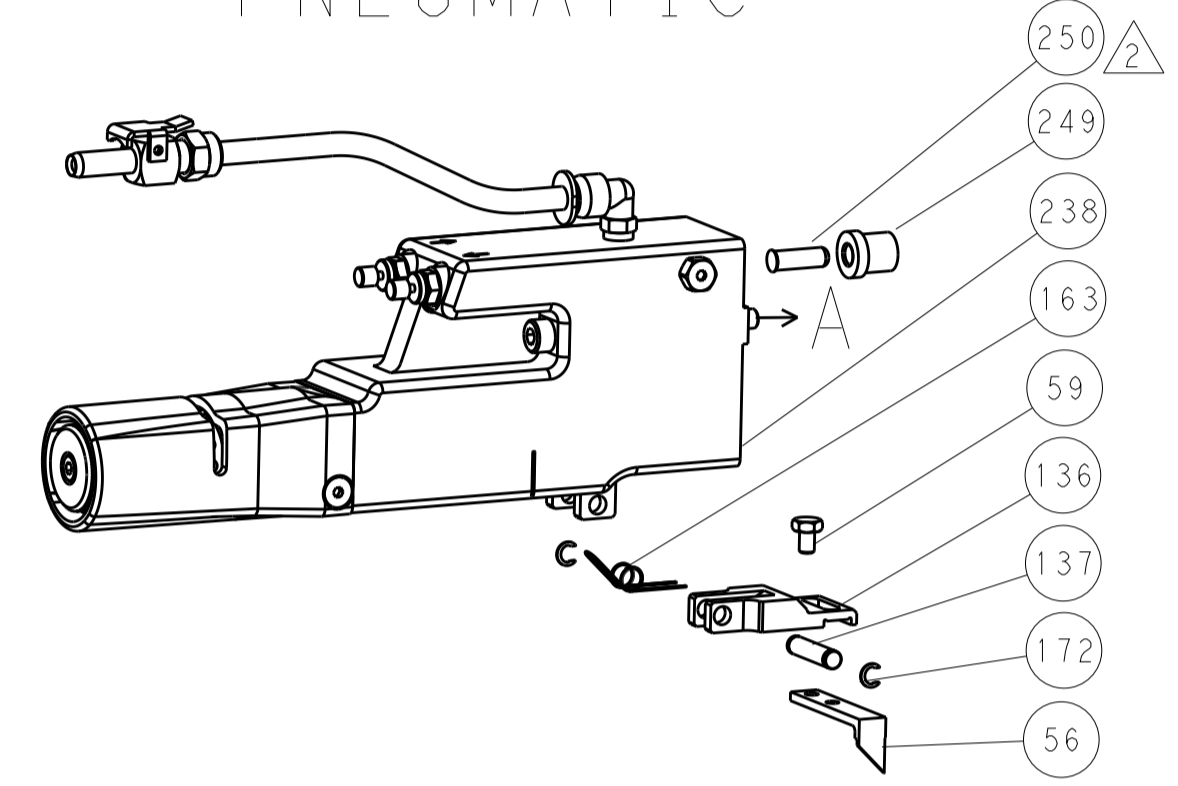


REV. NO.		REVISIONS				
LOC	DIST	P. LTH	DESCRIPTION	DATE	DWN	APVD
A	66	-	SEE SHEET 1	-	-	-

# FEED TYPE MECHANICAL



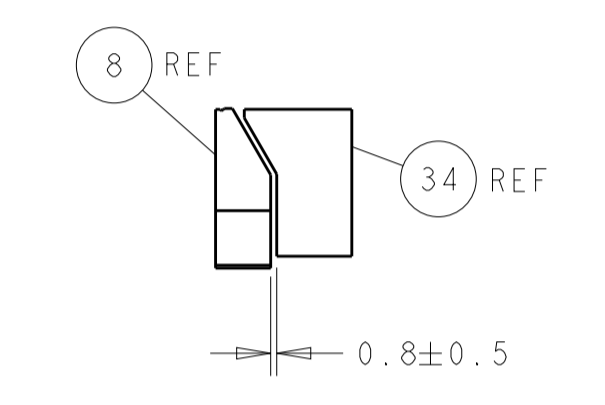
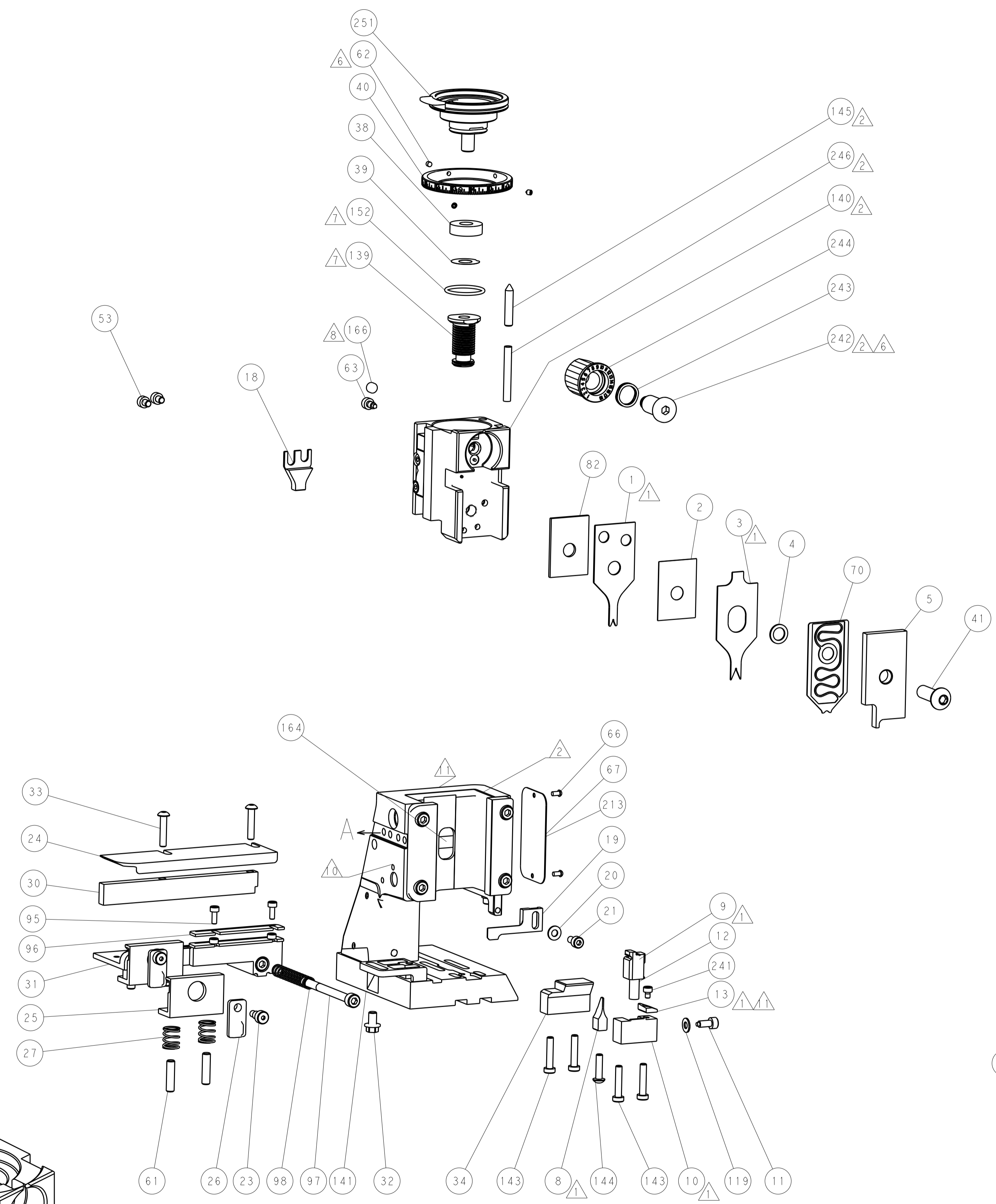
# PNEUMATIC



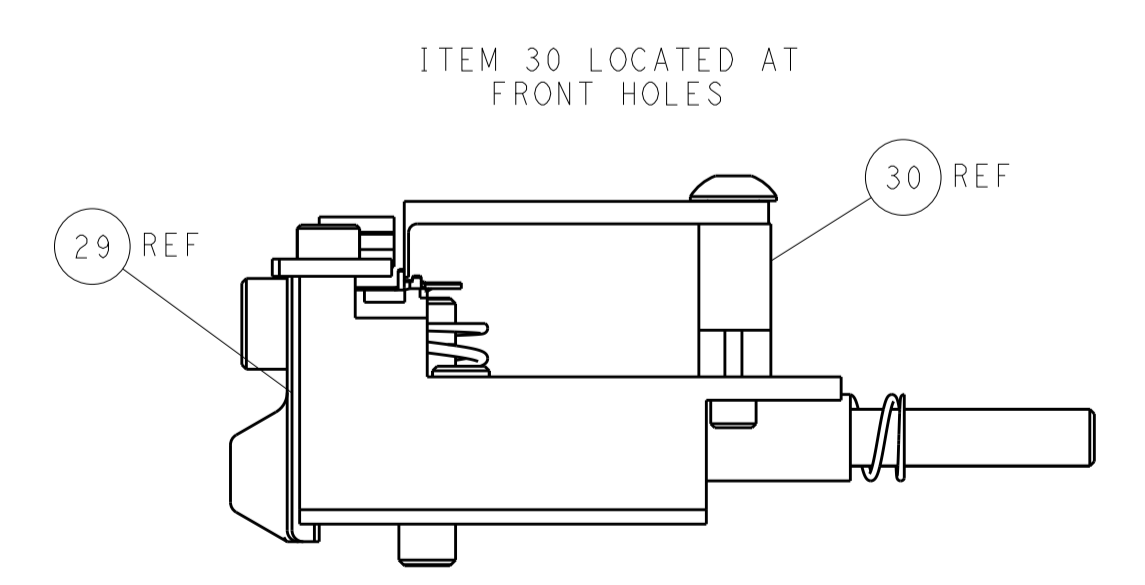
# SERVO LATCH PLATE



# CAM POSITIONS



TERMINAL SUPPORT LOCATION



FEED TRACK POSITION  
GUIDE BY INSULATION BARREL

**PACIFIC VERSION**  
 Shown on sheets 3 of 4 & 4 of 4  
 (Atlantic version shown on sheets 1 of 4 & 2 of 4)

DIMENSIONS:		TOLERANCES UNLESS OTHERWISE SPECIFIED:		DWN X. ZHAO 12DEC2013		CHK L. ZHANG 12DEC2013		APVD T. ELBIN 12DEC2013		NAME	
mm	0 PLC	±		STE		TE Connectivity		Harrisburg, PA 17105-3608		Ocean Side Feed Applicator	
	1 PLC	±		PRODUCT SPEC		SIZE		CAGE CODE		DRAWING NO	
	2 PLC	±		APPLICATION SPEC		A1		00779		C=2266172	
	3 PLC	±		MATERIAL		WEIGHT		Customer Accessible Production Drawing		SCALE	
	4 PLC	±		FINISH		1:2		SHEET 4 OF 4		REV B2	
	ANGLES	±									