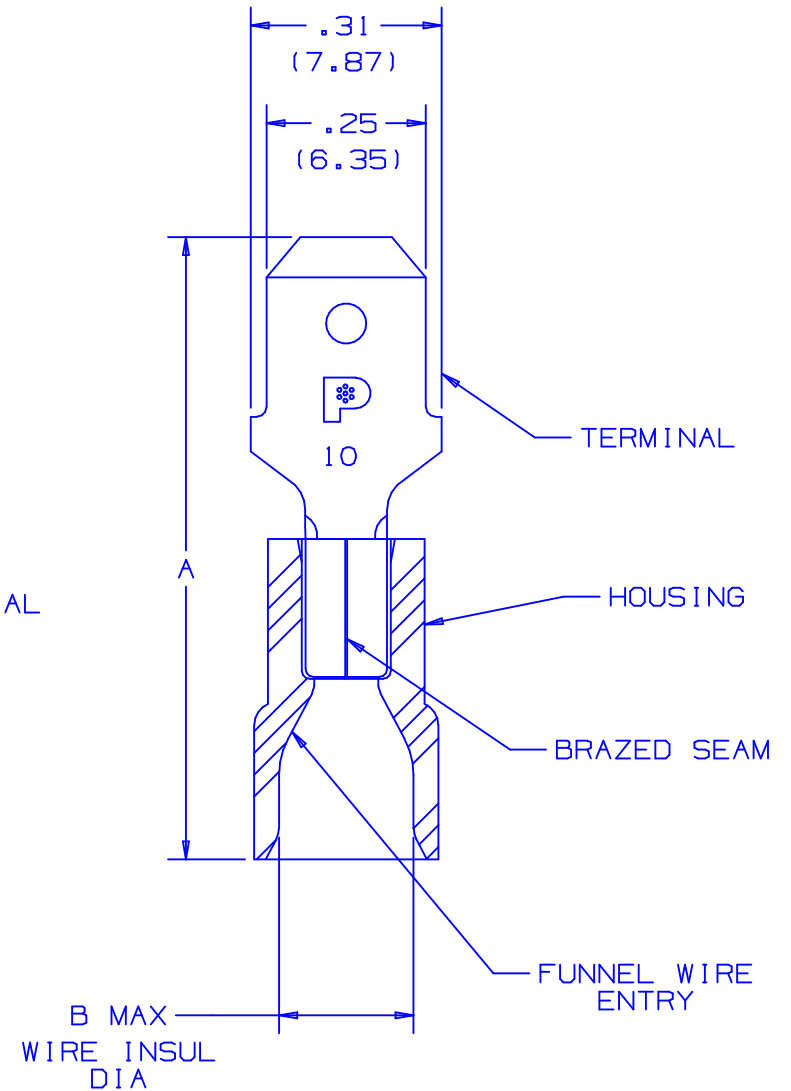


PANDUIT PART NUMBER	WIRE RANGE	COLOR CODE	DIMENSIONS in.	
			A $\pm .03$	B
DV10-250M	12-10	YELLOW	0.98 (24.9)	.235 (5.97)

NOTES :

- USE FOR:
 - A. STRANDED COPPER WIRE ONLY
 - B. 194°F (90°C) MAX TEMP RATING OF INSULATION MATERIAL
 - C. 600V MAX VOLTAGE RATING
- MATERIAL :
 - A. STAMPING - .032" THK COPPER, NICKEL PLATED
 - B. HOUSING - VINYL
- DIMENSIONS IN BRACKETS ARE IN MILLIMETERS
- INSTALLATION TOOLS : CT-100, CT-260, CT-550
- PKG QTY. -L=50
-D=500
- WIRE STRIP LENGTH: $9/32^{+1/32}_{-0}$ (7.1 $^{+.8}_{-0}$)



A41195_05

05	11/04	KLFU		ADDED #10			
04	1/01	KMDSKB		CAD FILE SPEC. WAS N41195AA_PCD_03	8938	JAC	CCH
03	10/98	JD		MATERIAL WAS TIN PLATED	07642		
02	6/95	MS	LM	UPDATED NOTES AND DIMENSIONS	03404	LA	DH
REV	DATE	BY	CHK	DESCRIPTION	ECN#	CUST	END



TINLEY PARK, ILLINOIS

2PC. VINYL INSULATED,
12-10, 250 X .032 MALE TAB

DRAWN BY	CHK'D	SCALE	DRAWING NO.
FES		NONE	A41195