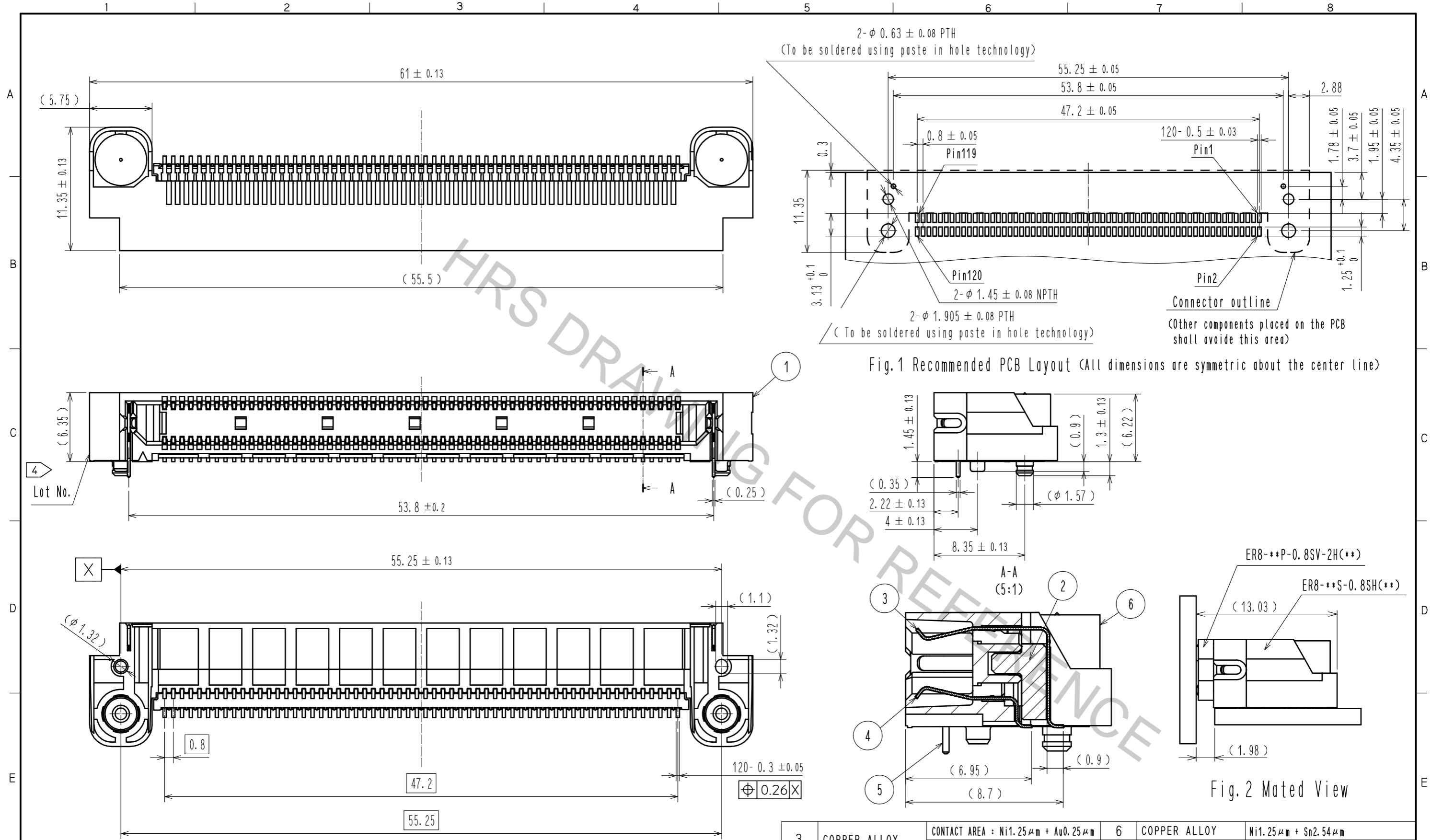


Aug.1.2018 Copyright 2018 HIROSE ELECTRIC CO., LTD. All Rights Reserved.
 In case that the application demands a high level of reliability, such as automotive,
 please contact a company representative for further information.



- NOTES
- Lead co-planarity of this product to be 0.15MAX.
 - () indicates a reference dimension.
 - Packaging for this product applies embossed carrier tape packaging. 200pcs per reel. See sheet 2/2 for details.
 - Lot No. shall be marked on the indicated position.

3	COPPER ALLOY	CONTACT AREA : Ni1.25 μ m + Au0.25 μ m LEAD AREA : Ni1.25 μ m + Sn2.54 μ m	6	COPPER ALLOY	Ni1.25 μ m + Sn2.54 μ m
2	LCP	BLACK UL94V-0	5	COPPER ALLOY	Ni1.25 μ m + Sn2.54 μ m
1	LCP	BLACK UL94V-0	4	COPPER ALLOY	CONTACT AREA : Ni1.25 μ m + Au0.25 μ m LEAD AREA : Ni1.25 μ m + Sn2.54 μ m
NO.	MATERIAL	FINISH . REMARKS	NO.	MATERIAL	FINISH . REMARKS
UNITS mm		SCALE 3 : 1	COUNT		DESCRIPTION OF REVISIONS
DESIGNED		CHECKED		DATE	
APPROVED : MK. EZAKI		17.03.31		DRAWING NO. EDC-359657-10-00	
CHECKED : MK. EZAKI		17.03.31		PART NO. ER8-120S-0.8SH(10)	
DESIGNED : TF. SUGAWARA		17.03.30		CODE NO. CL625-1001-4-10	
DRAWN : TF. SUGAWARA		17.03.30			

Aug.1.2018 Copyright 2018 HIROSE ELECTRIC CO., LTD. All Rights Reserved.
 In case that the application demands a high level of reliability, such as automotive,
 please contact a company representative for further information.

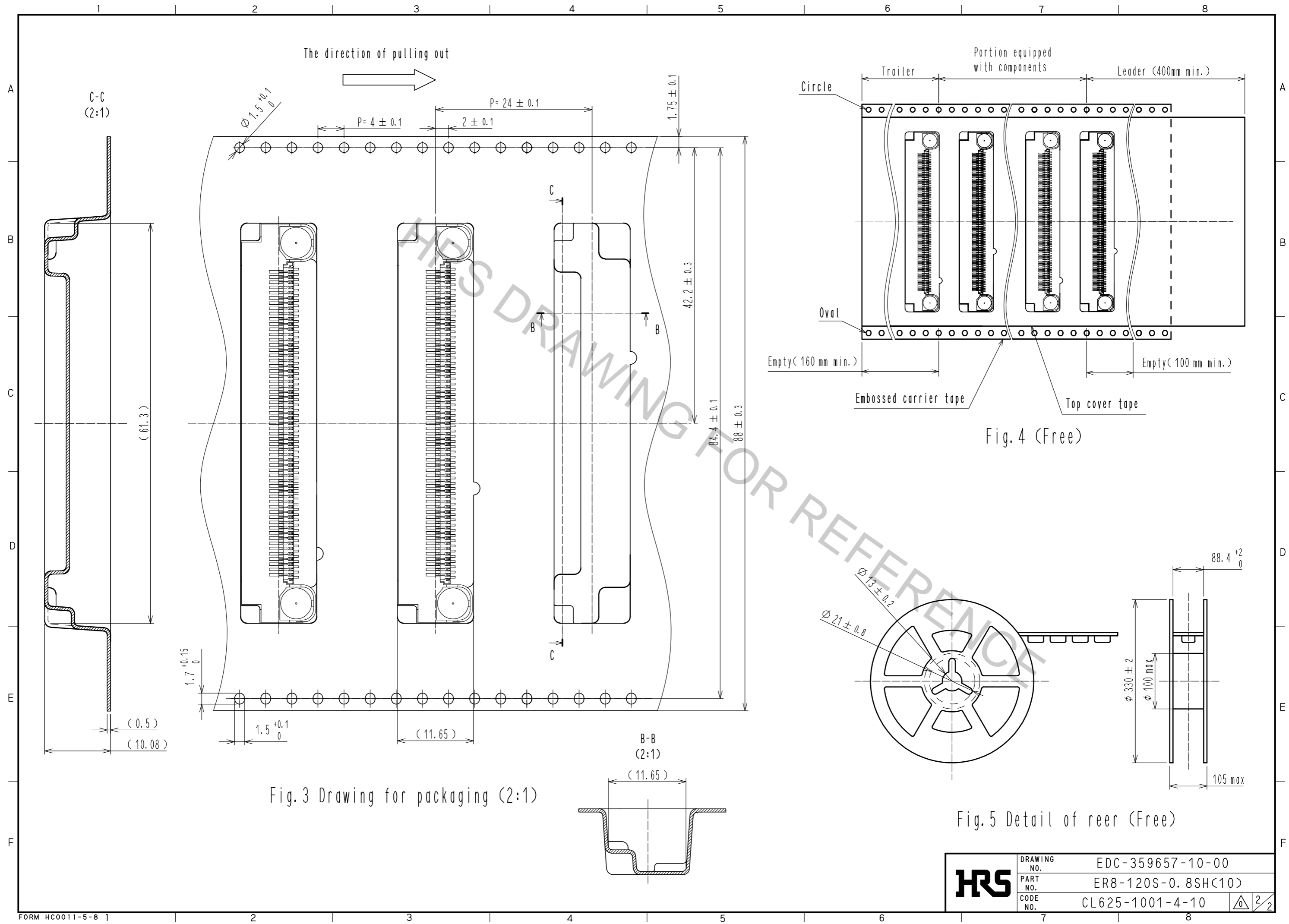


Fig. 3 Drawing for packaging (2:1)

Fig. 4 (Free)

Fig. 5 Detail of reer (Free)

HRS	DRAWING NO.	EDC-359657-10-00	2/2
	PART NO.	ER8-120S-0.8SH(10)	
	CODE NO.	CL625-1001-4-10	