

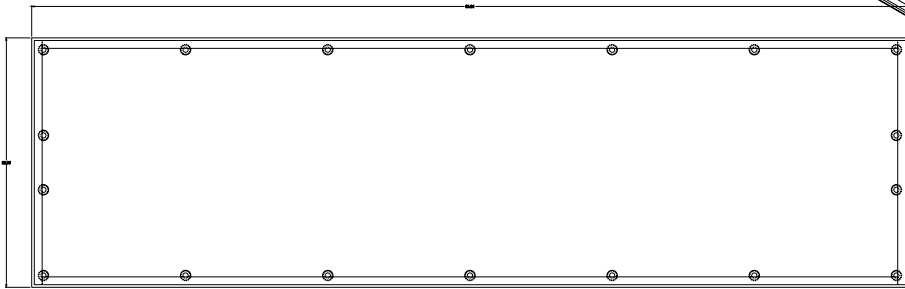


**PART No. UHDM8424BPA**

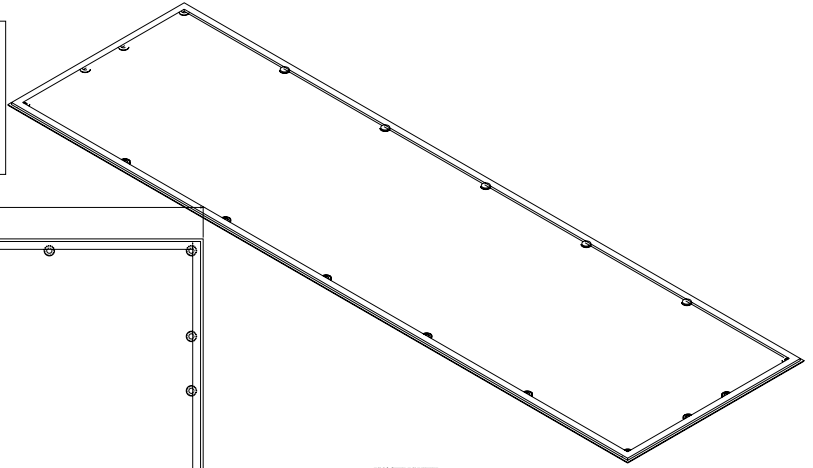
for more information visit  
[www.hammfg.com](http://www.hammfg.com)

Data subject to change without notice

Isometric drawing Not to Scale



FRONT VIEW



ISOMETRIC VIEW



SIDE VIEW