

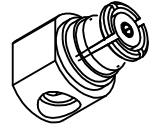
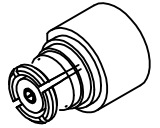
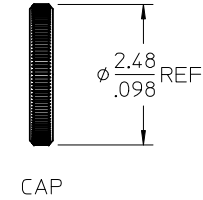
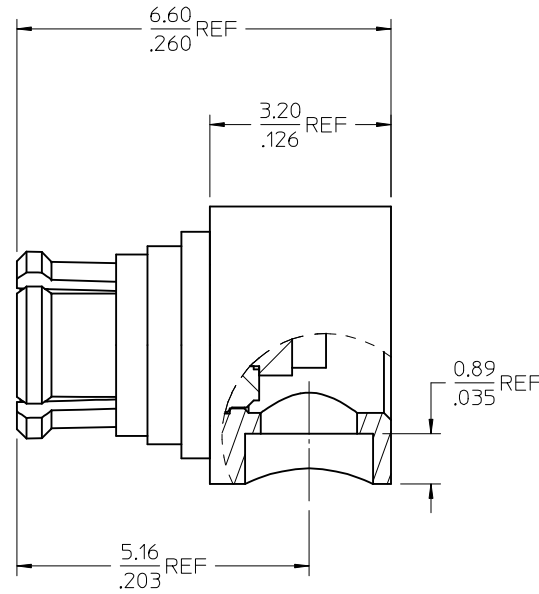
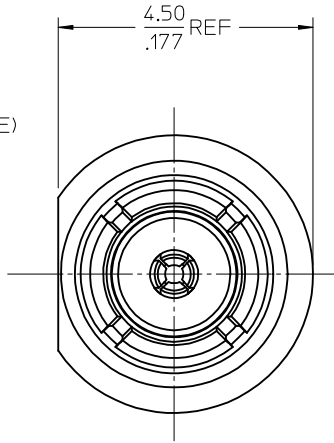
MATERIALS AND FINISHES

BODY, CONTACT: BERYLLIUM COPPER
PLATED GOLD/NICKEL (SEE TABLE)

INSULATOR: PTFE

EMI RING, CAP: BRASS
PLATED GOLD/NICKEL (SEE TABLE)

VSWR 1.25 MAX 0 - 18 GHz



AS-89675-460	ASSEMBLY INSTRUCTIONS
PS-89675-3320	PRODUCT SPECIFICATION
MIL-STD-348A, FIG. 326.1	INTERFACE
SPECIFICATION	DESCRIPTION

73415-3035	MOLEX INTERNAL USE ONLY NOT AVAILABLE	N/A	N/A	N/A
73415-3034	TRAY PACK	30μ-in/100μ-in MIN	30μ-in/100μ-in MIN	30μ-in/100μ-in MIN
73415-3033	TRAY PACK	8μ-in/80μ-in MIN	8μ-in/80μ-in MIN	8μ-in/80μ-in MIN
73415-3032	PLACE 73415-3030 INTO SMALL TRAY	30μ-in/100μ-in MIN	50μ-in/100μ-in MIN	30μ-in/100μ-in MIN
73415-3031	1 COMPLETE ASSEMBLY 73415-3030 PER BAG	30μ-in/100μ-in MIN	50μ-in/100μ-in MIN	30μ-in/100μ-in MIN
73415-3030	TRAY PACK	30μ-in/100μ-in MIN	50μ-in/100μ-in MIN	30μ-in/100μ-in MIN
PART NO.	PACKAGING	GOLD/NICKEL	GOLD/NICKEL	GOLD/NICKEL
		BODY	CONTACT	CAP

CHG: ADDED PLATING SPEC., VSWR AND PS. DELETED CABLE CUT VIEW EC NO: URF2016-0818 DRWINBSHAH 2016/06/01 CHKD:SSS 2016/06/01 APPR:AROBERTSON 2016/06/06 REV: B1	QUALITY SYMBOLS ∇=0 ∇=0 ∇=0	GENERAL TOLERANCES (UNLESS SPECIFIED) <table border="1"> <tr> <th></th> <th>mm</th> <th>INCH</th> </tr> <tr> <td>4 PLACES</td> <td>± .13</td> <td>± .005</td> </tr> <tr> <td>3 PLACES</td> <td>± .13</td> <td>± 0.010</td> </tr> <tr> <td>2 PLACES</td> <td>± 0.25</td> <td>± .010</td> </tr> <tr> <td>1 PLACE</td> <td>± .25</td> <td>± .010</td> </tr> <tr> <td>0 PLACE</td> <td>± .25</td> <td>± .010</td> </tr> </table>		mm	INCH	4 PLACES	± .13	± .005	3 PLACES	± .13	± 0.010	2 PLACES	± 0.25	± .010	1 PLACE	± .25	± .010	0 PLACE	± .25	± .010	DIMENSION STYLE MM/IN	SCALE 15:1	DESIGN UNITS METRIC	THIRD ANGLE PROJECTION
		mm	INCH																					
	4 PLACES	± .13	± .005																					
	3 PLACES	± .13	± 0.010																					
2 PLACES	± 0.25	± .010																						
1 PLACE	± .25	± .010																						
0 PLACE	± .25	± .010																						
		DRAWN BY SSS	DATE 2001/03/29	TITLE SMP JACK, R/A FOR 086 CABLE, 50 OHM SMP-JC																				
		CHECKED BY TEF	DATE 2001/03/29	APPROVED BY GMH																				
		MATERIAL NO. SEE TABLE	DATE 2001/03/29	DOCUMENT NO. SD-73415-303																				