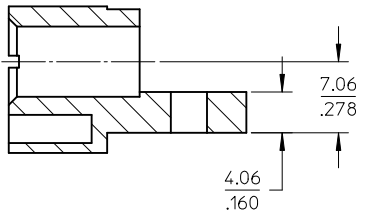
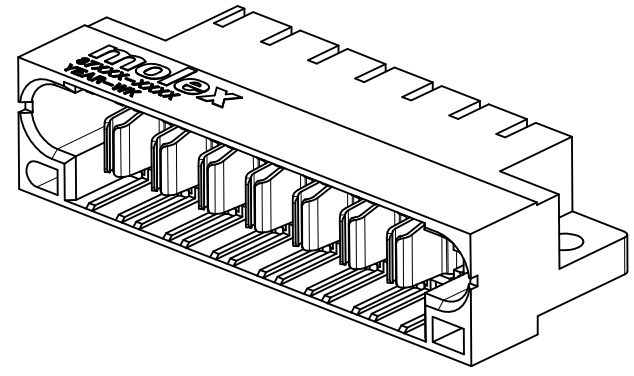
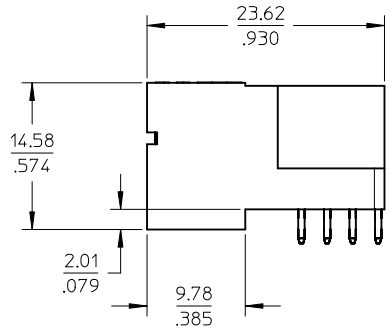
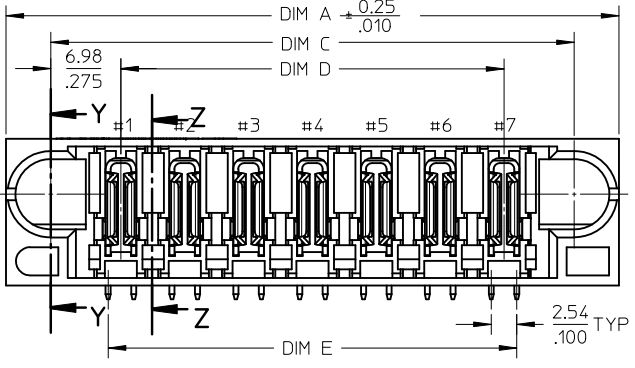


SECTION Z-Z



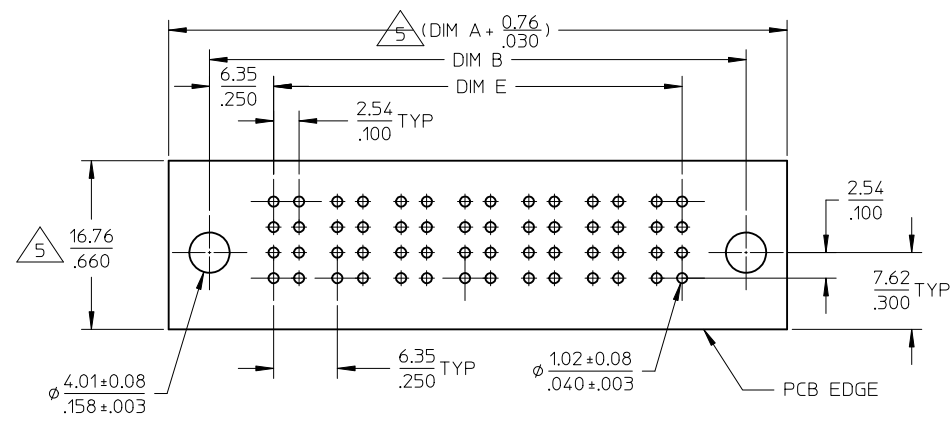
SECTION Y-Y

ADD P/N: 87658-3006 EC NO: S2011-0320 DRW:SKANG 2010/10/06 CHKD:ATSEE 2011/02/15 APPR:MLONG 2011/02/15	QUALITY SYMBOLS $\blacktriangledown = 0$ $\triangleleft = 0$	GENERAL TOLERANCES (UNLESS SPECIFIED)		DIMENSION STYLE	SCALE	DESIGN UNITS	THIRD ANGLE PROJECTION		
			mm	INCH	MM/IN	NTS		METRIC	
		4 PLACES	± ---	± ---					TITLE EXTREME POWERPLUS ALL POWER HEADER SCREW MOUNT, R/A, T/H
		3 PLACES	± ---	± .010					
	2 PLACES	± 0.25	± ---				MOLEX INCORPORATED		
	1 PLACE	± ---	± ---						
		ANGULAR ± 3 °		APPROVED BY	DATE		DOCUMENT NO. SD-87658-010		
		DRAFT WHERE APPLICABLE MUST REMAIN WITHIN DIMENSIONS		SKTOH	2002/11/12				
				MATERIAL NO.			SHEET NO. 1 OF 2		
				SIZE A3	THIS DRAWING CONTAINS INFORMATION THAT IS PROPRIETARY TO MOLEX INCORPORATED AND SHOULD NOT BE USED WITHOUT WRITTEN PERMISSION				

	10	9	8	7	6	5	4	3	2	1
	PART NUMBER	PACKAGING	POWER CONFIGURATION NO. OF POWER	DIM A	DIM B	DIM C	DIM D	DIM E		
F	87658-3005	TRAY	5	48.26 1.900	40.64 1.600	39.37 1.550	25.40 1.000	27.94 1.100		
	87658-3006	TRAY	6	54.61 2.150	46.99 1.850	45.72 1.800	31.75 1.250	34.29 1.350		
	87658-3007	TRAY	7	60.96 2.400	53.34 2.100	52.07 2.050	38.10 1.500	40.64 1.600		

NOTES:

- MATERIALS: LCP, GLASS FILLED, UL94V-0, COLOUR: BLACK
POWER PINS - COPPER ALLOY
- FINISHES: POWER PINS:
SELECTIVE GOLD IN CONTACT AREA.
THICKNESS= 0.76 MICROMETER/ 30 MICROINCH MINIMUM
SELECTIVE TIN ALLOY IN THE PC TAIL AREA
THICKNESS= 2.54 MICROMETER/.100 MICROINCH MINIMUM
1.27um MINIMUM NICKEL OVEALL UNDERPLATE.
- PRODUCT SPECIFICATION: PS-87631-006.
- SEE SHEET 2 FOR RECOMMENDED PCB LAYOUT AND THICKNESS.
- COMPONENT STAY AWAY ZONE FROM CONNECTOR.
- MANUFACTURER LOGO, PART NUMBER AND YEAR-WEEK CODE.
- 7 POWER CONFIGURATION IS SHOWN FOR ILLUSTRATION ONLY.
POWER CONFIGURATION IS AVAILABLE UP TO 203MM/INCH.
PLEASE CONTACT MOLEX SALES PERSONNEL FOR OTHER CONFIGURATION
AND OPTION NEEDED.



ADD P/N: 87658-3006 EC NO: S2011-0320 DRW:SKANG 2010/10/06 CH:KD:ATSEE 2011/02/15 APPR:MLONG 2011/02/15 REV D2	QUALITY SYMBOLS ▽=0 ◻=0	GENERAL TOLERANCES (UNLESS SPECIFIED) mm INCH 4 PLACES ± --- ± --- 3 PLACES ± --- ± .010 2 PLACES ± 0.25 ± --- 1 PLACE ± --- ± --- ANGULAR ± 3 °	DIMENSION STYLE MM/IN DRAWN BY BHLW DATE 2002/11/01 CHECKED BY PTLIM DATE 2002/11/07 APPROVED BY SKTOH DATE 2002/11/12	SCALE NTS DESIGN UNITS METRIC THIRD ANGLE PROJECTION	TITLE EXTREME POWERPLUS ALL POWER HEADER SCREW MOUNT, R/A, T/H MOLEX INCORPORATED SD-87658-010	SHEET NO. 2 OF 2	
	DRAFT WHERE APPLICABLE MUST REMAIN WITHIN DIMENSIONS		MATERIAL NO. SEE TABLE	DOCUMENT NO. SD-87658-010	THIS DRAWING CONTAINS INFORMATION THAT IS PROPRIETARY TO MOLEX INCORPORATED AND SHOULD NOT BE USED WITHOUT WRITTEN PERMISSION		