

THIS DRAWING IS UNPUBLISHED.

RELEASED FOR PUBLICATION

LOC

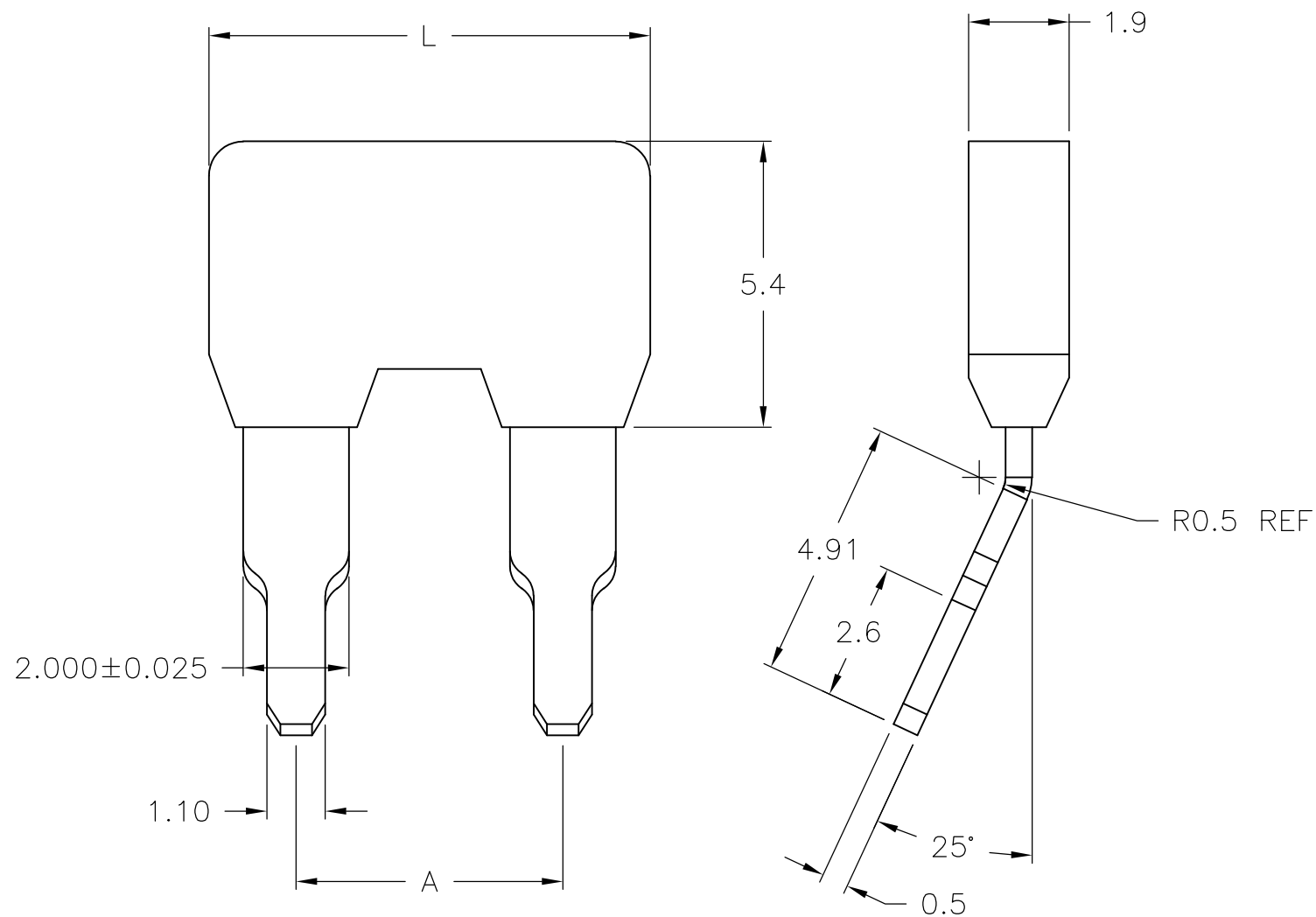
DIST

REVISIONS

© COPYRIGHT - BY TYCO ELECTRONICS CORPORATION. ALL INTERNATIONAL RIGHTS RESERVED.

P	LTR	DESCRIPTION	DATE	DWN	APVD
	A2	REVISED PER ECO-08-031020	12/11/08	SS	CR

MATERIAL:
 BLADE: TIN PLATED, COPPER ALLOY.
 HOUSING HANDLE: PA66, UL94V-0.



38.58	35.28	8	1776957-8
33.54	30.24	7	1776957-7
28.50	25.20	6	1776957-6
23.46	20.16	5	1776957-5
18.42	15.12	4	1776957-4
13.38	10.08	3	1776957-3
8.34	5.04	2	1776957-2
DIM L	DIM A	NO OF POS	PART NUMBER

THIS DRAWING IS A CONTROLLED DOCUMENT.		DWN S SCHLEGEL 06FEB2008	Tyco Electronics Corporation Harrisburg, PA 17105-3608	
DIMENSIONS: mm		CHK C RICHARD 2/6/08	NAME JUMER FOR TERMINAL BLOCK 5.0mm THRU 5.08mm PITCH	
TOLERANCES UNLESS OTHERWISE SPECIFIED:		APVD C RICHARD 2/6/08	RESTRICTED TO	
<ul style="list-style-type: none"> 0 PLC ± - 1 PLC ± 0.3 2 PLC ± 0.25 3 PLC ± - 4 PLC ± - ANGLES ± 2' 		PRODUCT SPEC -	SIZE A3	
MATERIAL -		APPLICATION SPEC -	CAGE CODE 00779	DRAWING NO C-1776957
FINISH -		WEIGHT -	SCALE 8:1	
CUSTOMER DRAWING			SHEET 1 OF 1	REV A2