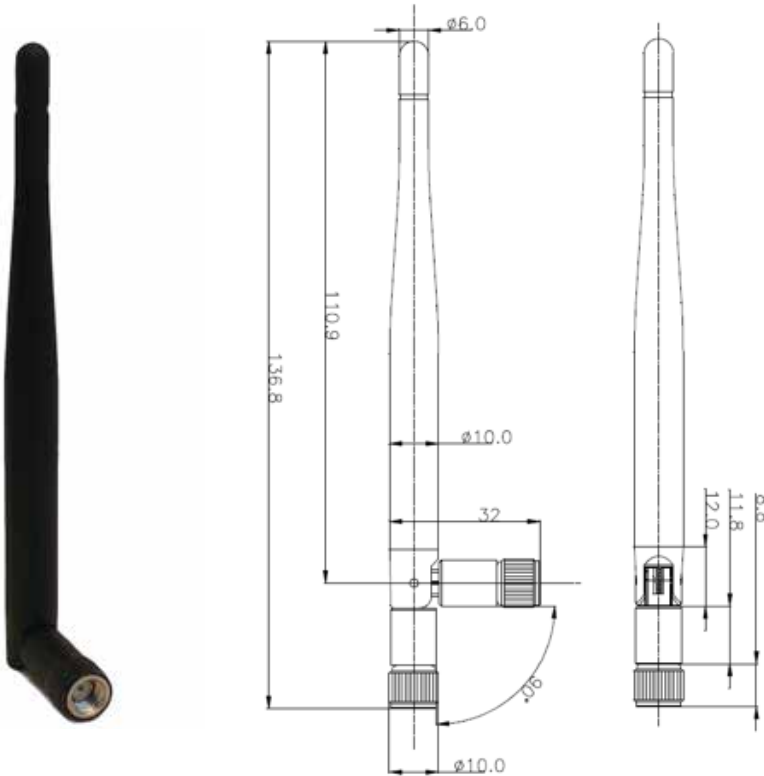


Wireless External Antenna for 2.4 GHz Applications

Pulse Part Number W1027



Features

- High gain antenna
- For WLAN Bluetooth® and ZigBee™
- Omni-directional radiation pattern provides broad 360° coverage
- One-quarter wavelength dipole configuration
- Connection and color options easily integrate with OEM designs
- RoHS Compliant Product

Weight <13 grams
Dimensions Inches / mm
Connector RP-SMA (male)

Electrical Specifications @ 25° C

Frequency Range (GHz)	Peak Gain (dBi)	Impedance (Ohm)	VSWR	Polarization	Electrical Length	Radiation	Color
2.4 - 2.5	3.2*	50	1.9	Vertical	1/4 dipole	Omni	Black

* RF Characteristics are measured on a test box size: 140 x 90 x 30mm³.

Confidential and Proprietary — Pulse Electronics — All Rights Reserved — 2015

This document contains confidential and proprietary information of Pulse Electronics, Inc. (Pulse) and is protected by copyright, trade secret and other state and federal laws. Its receipt or possession does not convey any rights to reproduce, disclose its contents, or to manufacture, use or sell anything it may describe. Reproduction, disclosure or use without specific written authorization of Pulse is strictly forbidden.

San Diego, California
858 674 8100

Vancouver, Washington
360 944 7551

Europe
49 7032 7806 0

China
86 512 6807 9998

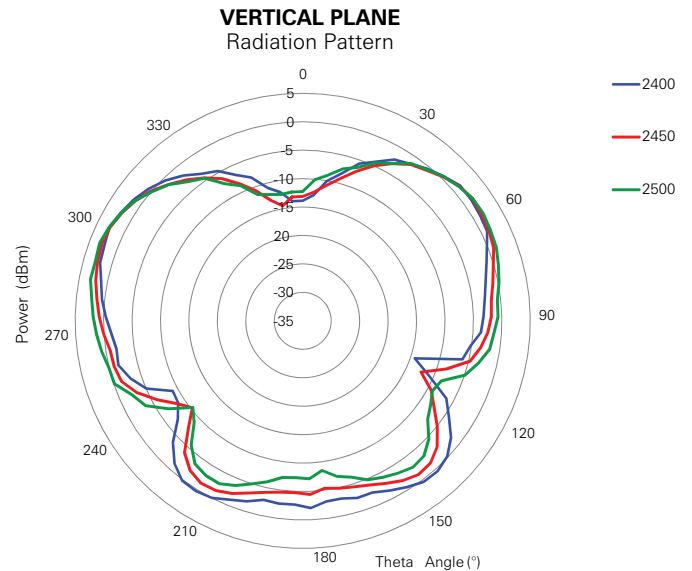
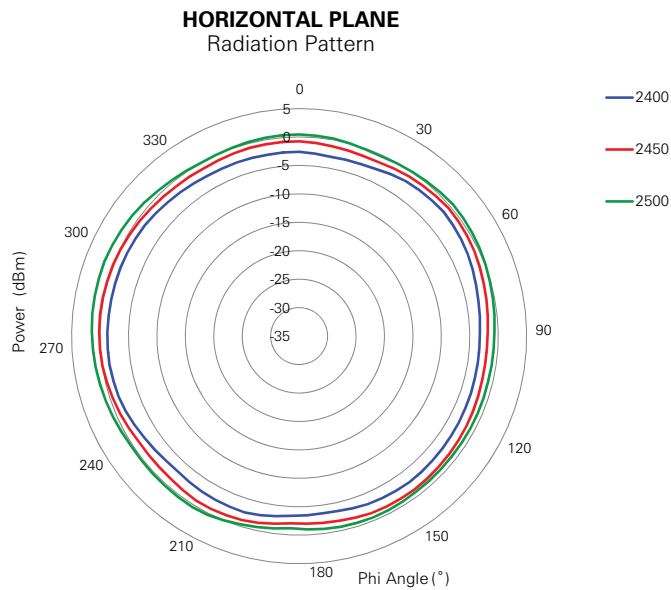
Wireless External Antenna for 2.4 GHz Applications

Pulse Part Number W1027

Application Notes

Omni-directional antennas provide a uniform, donut-shaped, 360° radiation pattern. The omni-directional pattern is suitable for point-to-multipoint broadcasting in all directions. This antenna can be used for a variety of other applications

within the specified frequency range. When used as an access point, the antenna is ideally located at the center of the coverage area.



For More Information

Pulse Worldwide Headquarters
 12220 World Trade Drive
 San Diego, CA 92128
 U.S.A.

Tel: 858 674 8100
 Fax: 858 674 8262

Larsen Brand Antennas
 3611 NE 112th Avenue
 Vancouver, WA 98682
 USA

Tel: 360 944 7551
 Fax: 360 944 7556

Europe Headquarters
 Pulse GmbH & Co, KG
 Zeppelinstrasse 15
 Herrenberg, Germany

Tel: 49 7032 7806 0
 Fax: 49 7032 7806 135

Pulse (Suzhou) Wireless Products Co, Inc.
 99 Huo Ju Road, (#29 Bldg, 4th Phase)
 Suzhou New District
 Science & Tech Industrial Park
 Jiangsu Province, Suzhou 215009 PR China

Tel: 86 512 6807 9998
 Fax: 86 512 6809 8023



Performance warranty of products offered on this data sheet is limited to the parameters specified. Data is subject to change without notice. Other brand and product names mentioned herein may be trademarks or registered trademarks of their respective owners.
 © Copyright, 2015. Pulse Electronics, Inc. All rights reserved.