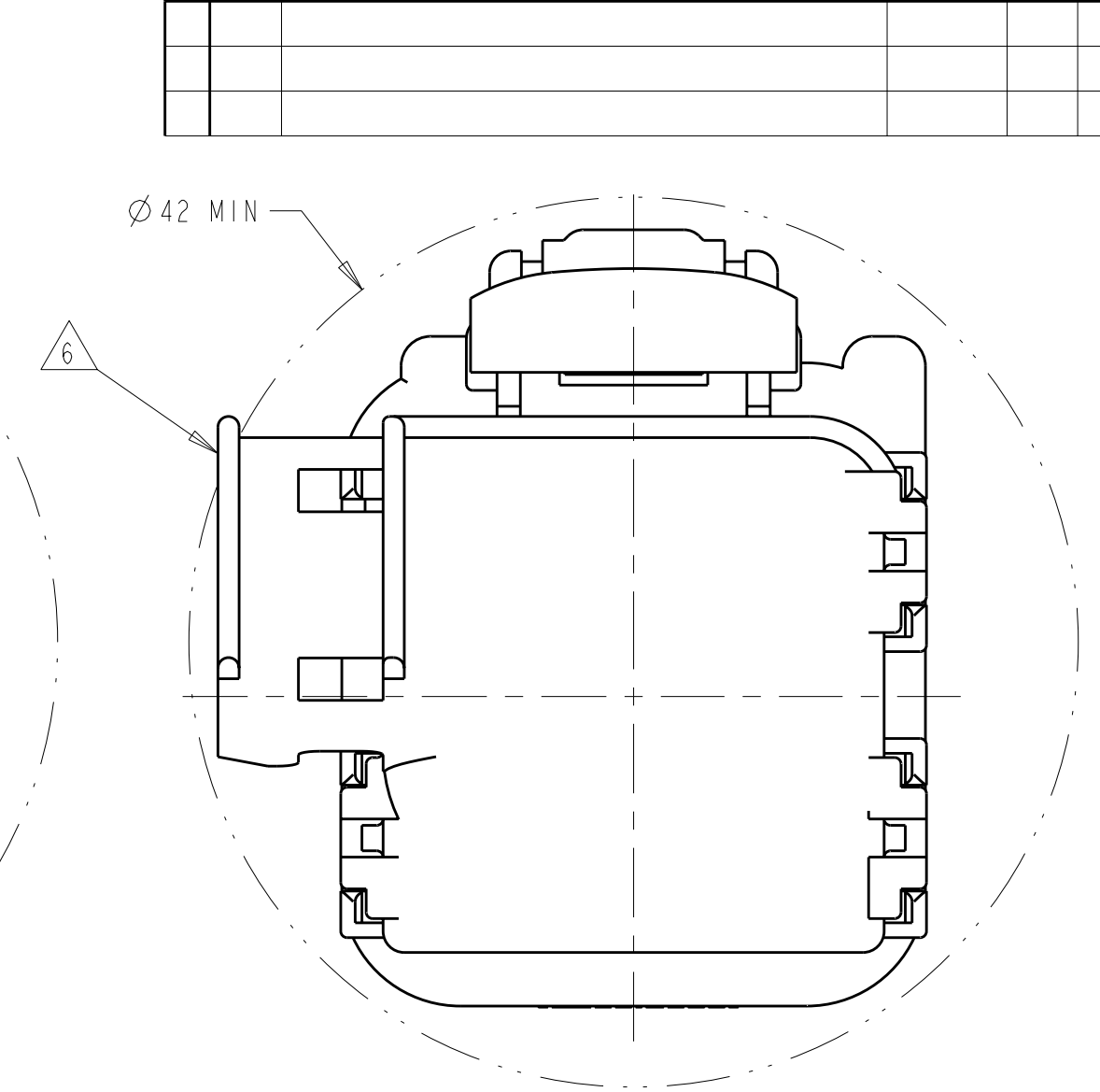
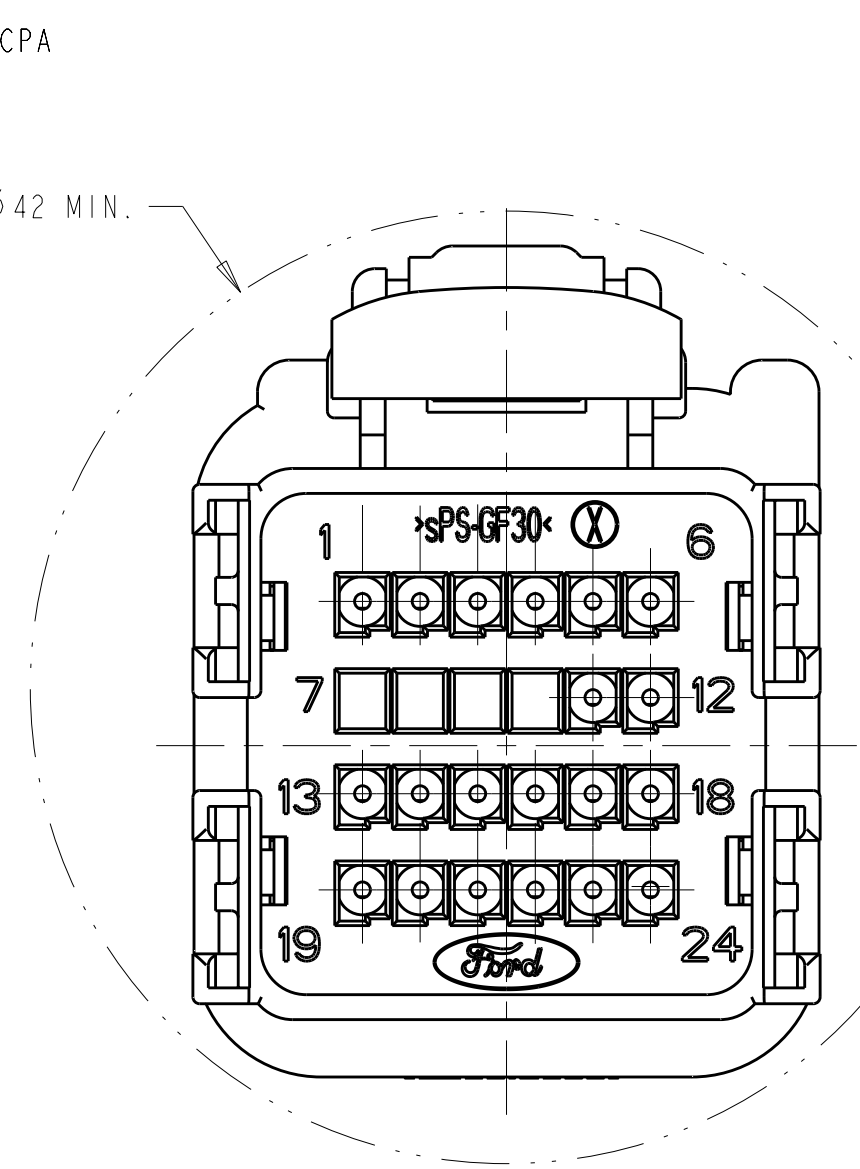
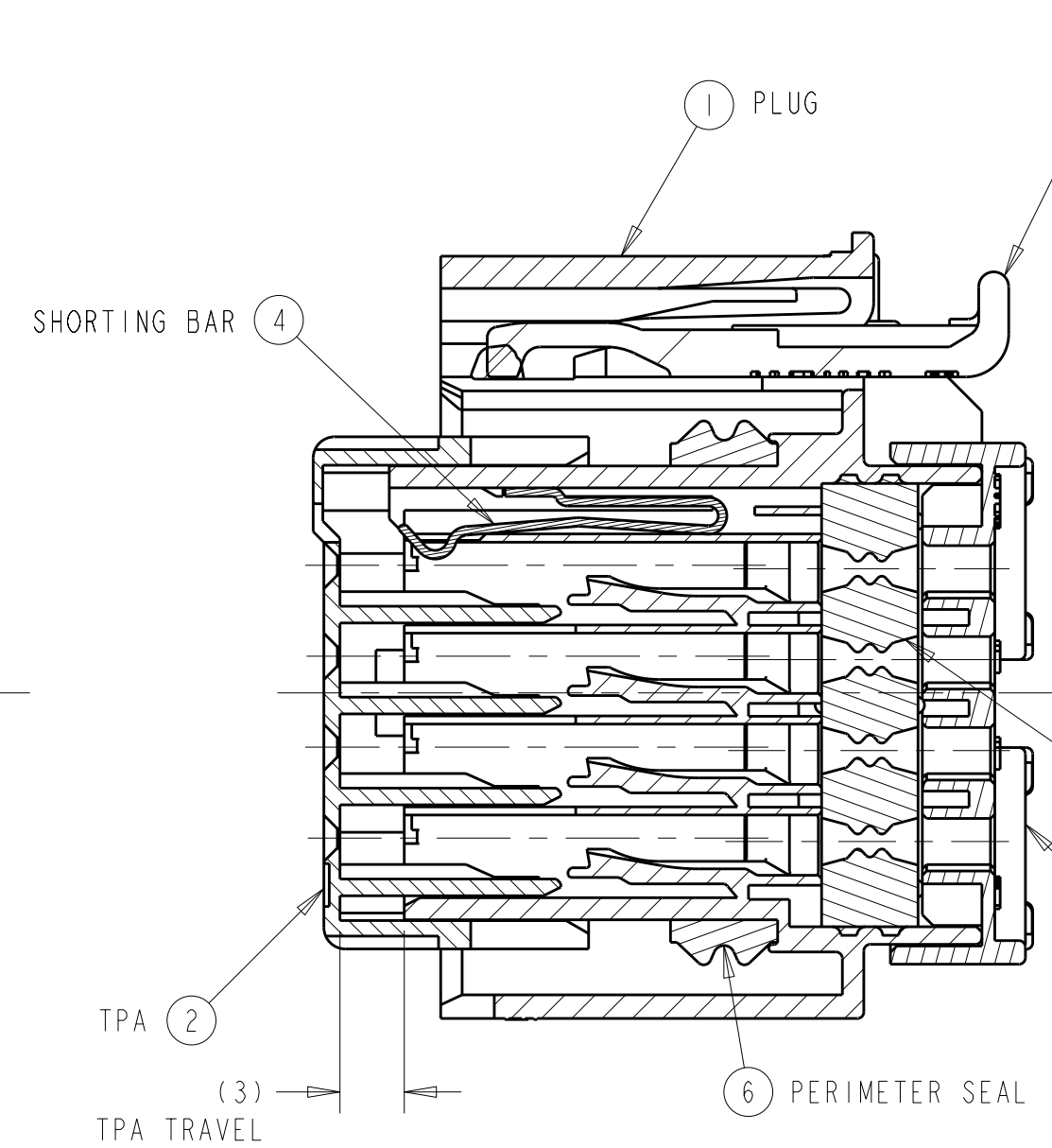
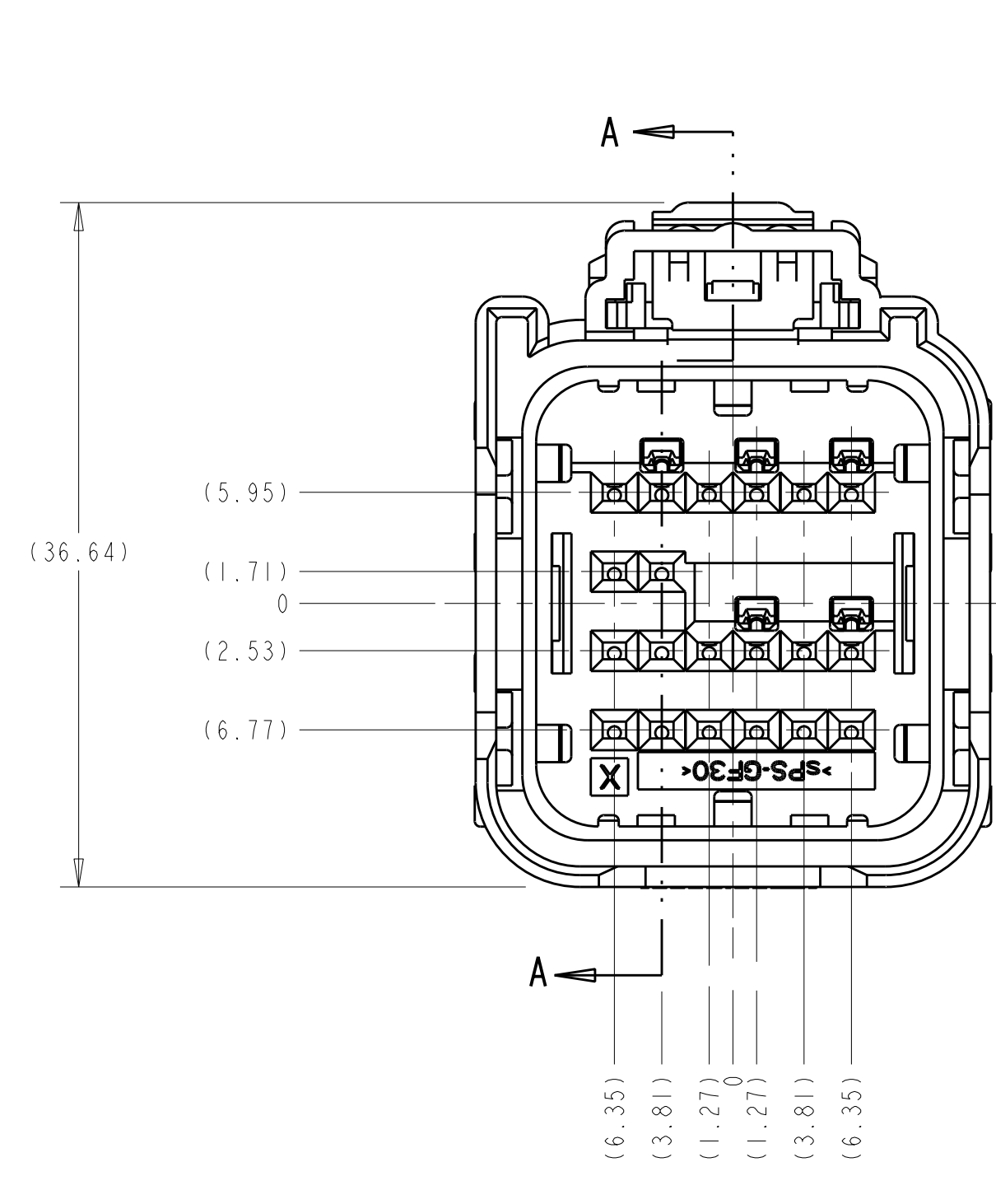
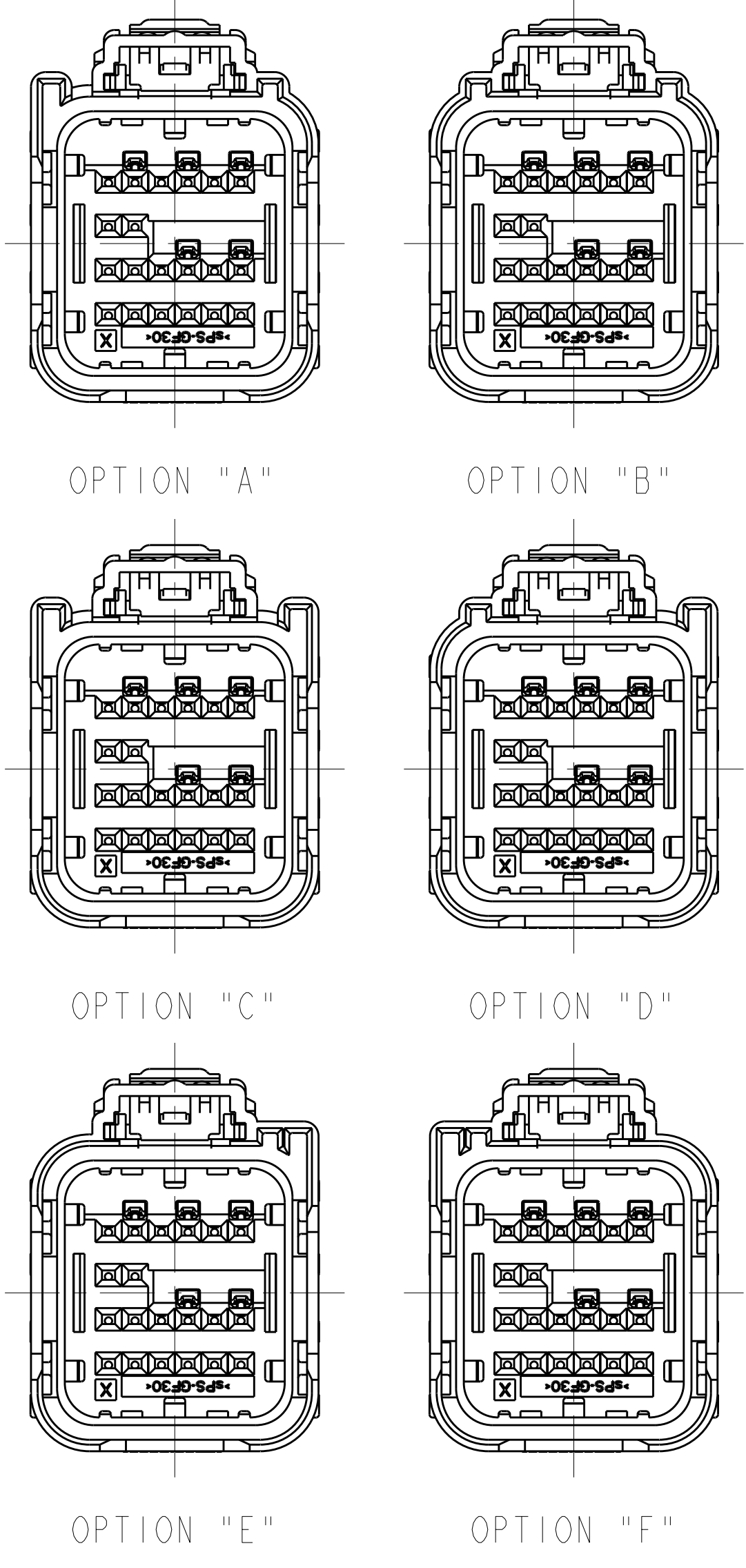


LOC	DIST	REV	DATE	BY	APPD
FX	00	D	19MAY2009	DLD	WTW

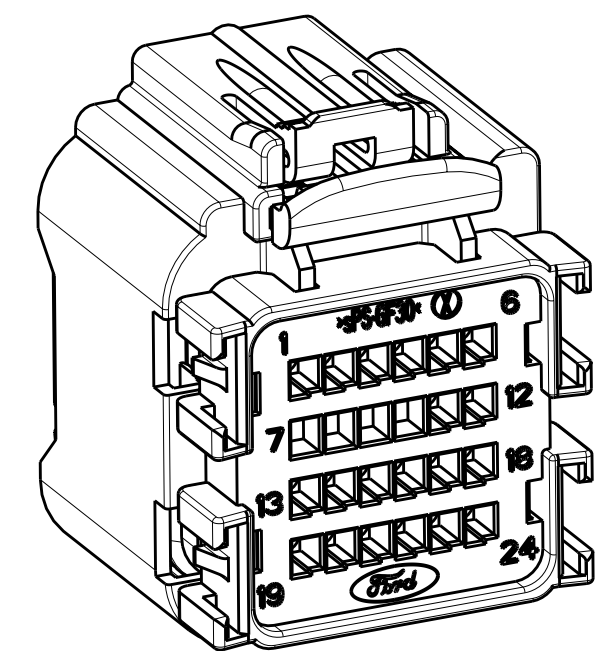
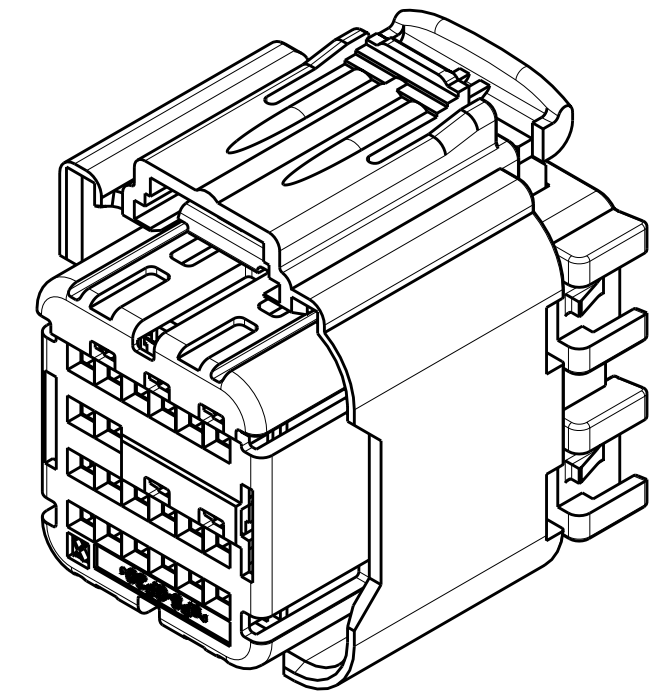
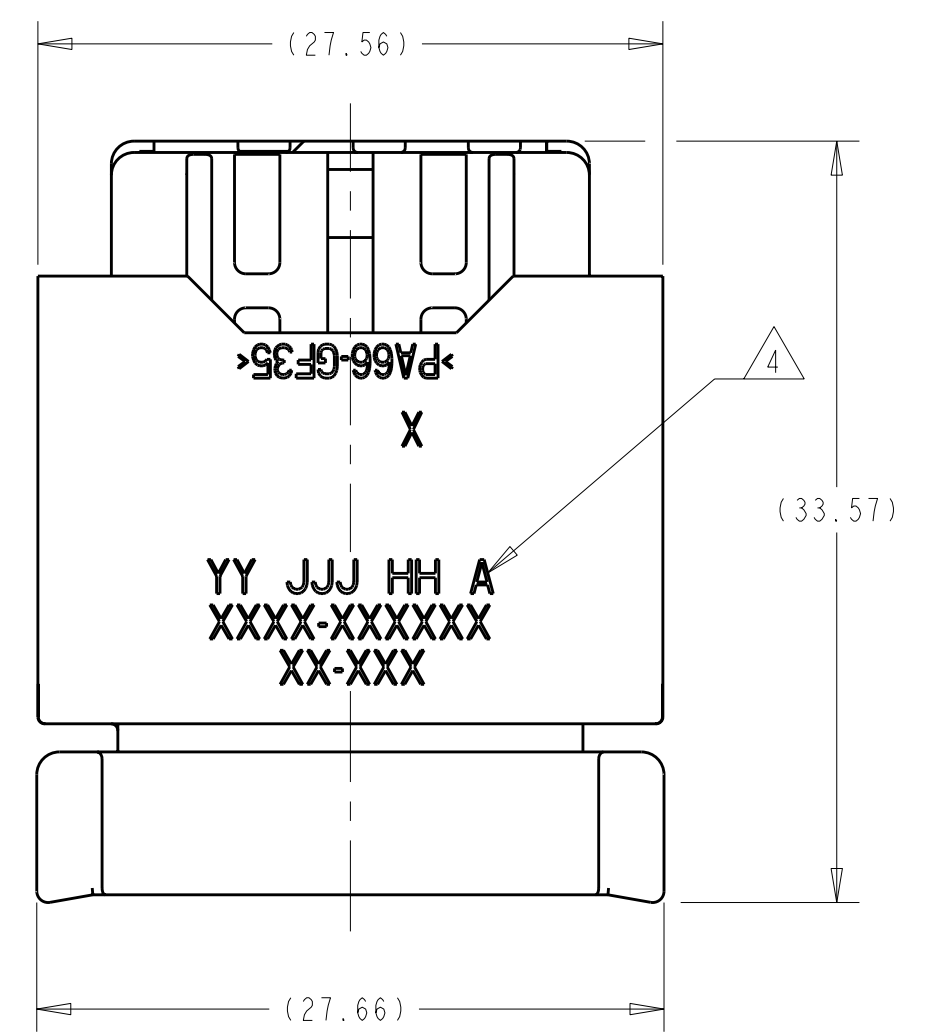
KEYING OPTIONS  
 SCALE 2:1



SECTION A-A  
 SHOWN WITH TPA IN  
 IT'S PRE-LOADED POSITION  
 (DELIVERY CONDITION)

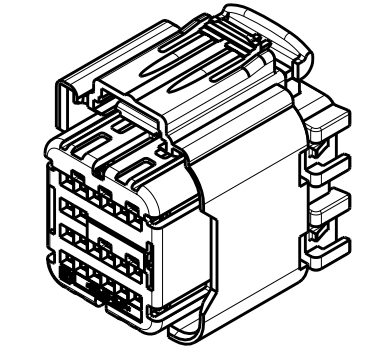
MINIMUM FEED THROUGH CONDITION  
 WITH 1mm CLEARANCE ALL AROUND

MINIMUM FEED THROUGH CONDITION  
 WITH 1mm CLEARANCE ALL AROUND  
 SHOWN WITH OPTION WIRESHIELD



SCALE 2:1

SCALE 2:1



SCALE 1:1

KEYING OPTION "A" SHOWN

ITEM	ASSEMBLY PART NUMBER	DESCRIPTION	MATERIAL	FINISH/COLOR
7		CPA	PBT-GF15	RED
6		PERIMETER SEAL	SILICONE	GREEN
5		GROMMET	SILICONE	BROWN
4		SHORTING BAR	S.S.	SEE COMPONENT DRAWING
3		COVER	PA66 35% GF	BLACK
2		SPACER FOR SHORTING BAR APPLICATIONS	sPS 30% GF	NATURAL
1		PLUG WITH KEYING OPTION "D" AND 5 SHORTING BAR POSITIONS CONFIGURATION	PA66 35% GF	BLACK
1		PLUG WITH KEYING OPTION "C" AND 5 SHORTING BAR POSITIONS CONFIGURATION	PA66 35% GF	BLACK
1		PLUG WITH KEYING OPTION "B" AND 5 SHORTING BAR POSITIONS CONFIGURATION	PA66 35% GF	BLACK
1		PLUG WITH KEYING OPTION "A" AND 5 SHORTING BAR POSITIONS CONFIGURATION	PA66 35% GF	BLACK

ITEM	DESCRIPTION	MATERIAL	FINISH/COLOR
9	PLC	±	
8	PLC	±0.3	
7	PLC	±0.10	
6	PLC	±	
5	PLC	±	
4	PLC	±	
3	PLC	±	
2	PLC	±	
1	PLC	±	

DIMENSIONS: mm  
 TOLERANCES UNLESS OTHERWISE SPECIFIED:  
 9 PLC ±  
 8 PLC ±0.3  
 7 PLC ±0.10  
 6 PLC ±  
 5 PLC ±  
 4 PLC ±  
 3 PLC ±  
 2 PLC ±  
 1 PLC ±

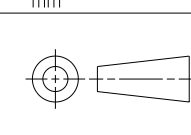

MATERIAL: SEE CHART ABOVE  
 FINISH:

DWG: VESTAL 23JUL2007  
 CHK: W. WELLSKY 23JUL2007  
 APVD: W. WELLSKY 23JUL2007  
 NAME: 24 WAY ARM PLUG ASSEMBLY WITH SHORTING BARS CUSTOMER SPEC.  
 SIZE: CAGE CODE DRAWING NO. RESTRICTED TO  
 WEIGHT: SEE NOTE 5 A 00779 C=1924670  
 CUSTOMER DRAWING SCALE 3:1 SHEET 1 OF 3 REV D

THIS DRAWING IS UNPUBLISHED. RELEASED FOR PUBLICATION 20  
 © COPYRIGHT 20 BY TYCO ELECTRONICS CORPORATION. ALL RIGHTS RESERVED.

LOC		DIST		REVISIONS			
P	LTG	DESCRIPTION	DATE	DNW	APVD		
-	-	SEE SHEET 1	-	-	-		

ITEM	ASSEMBLY PART NUMBER	DESCRIPTION	MATERIAL	FINISH/COLOR
	7	CPA	PBT-GF15	RED
	6	PERIMETER SEAL	SILICONE	GREEN
	5	GROMMET	SILICONE	BROWN
	4	SHORTING BAR	S.S.	SEE COMPONENT DRAWING
	3	COVER	PA66 35% GF	BLACK
	2	SPACER FOR SHORTING BAR APPLICATIONS	sPS 30% GF	NATURAL
	1	PLUG WITH KEYING OPTION "D" AND 5 SHORTING BAR POSITIONS CONFIGURATION	PA66 35% GF	BLACK
		PLUG WITH KEYING OPTION "C" AND 5 SHORTING BAR POSITIONS CONFIGURATION	PA66 35% GF	BLACK
		PLUG WITH KEYING OPTION "B" AND 5 SHORTING BAR POSITIONS CONFIGURATION	PA66 35% GF	BLACK
		PLUG WITH KEYING OPTION "A" AND 5 SHORTING BAR POSITIONS CONFIGURATION	PA66 35% GF	BLACK
		QUANTITY		

DIMENSIONS: mm 		TOLERANCES UNLESS OTHERWISE SPECIFIED: 9 PLC ±.3 1 PLC ±0.10 5 PLC ±.10 4 PLC ±.10 ANGLES ±°		DWN BY: VESTAL 23JUL2007 CHK: W. WELLINSKY APVD: W. WELLINSKY 23JUL2007		 Tyco Electronics Harrisburg, PA 17105-3608	
MATERIAL: - FINISH: -		WEIGHT: - CUSTOMER DRAWING		NAME: 24 WAY ARM PLUG ASSEMBLY WITH SHORTING BARS CUSTOMER SPEC. SIZE: A1 CAGE CODE: 00779 DRAWING NO: C=1924670		RESTRICTED TO: - SCALE: 3:1 SHEET 2 OF 3 REV D	

