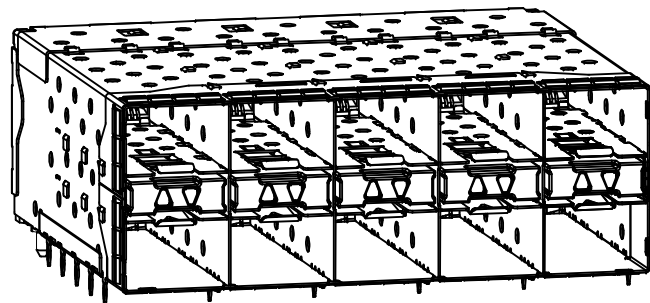
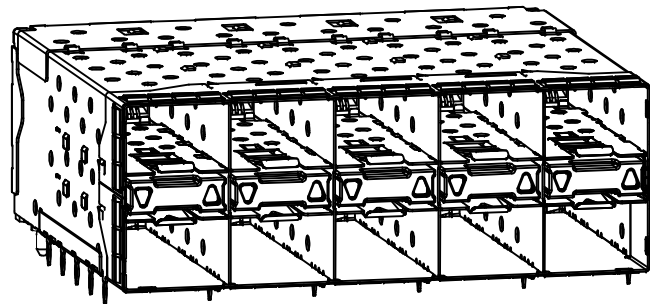


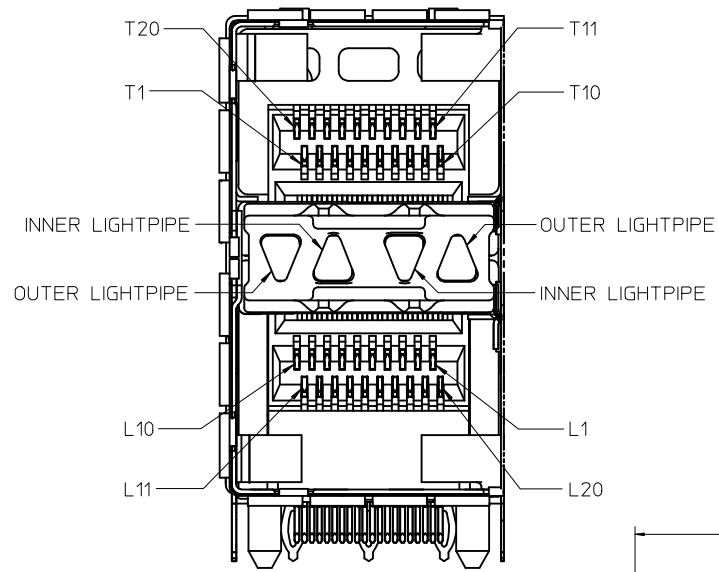
760470001 AND 760475001
WITH INNER AND OUTER LIGHTPIPPES



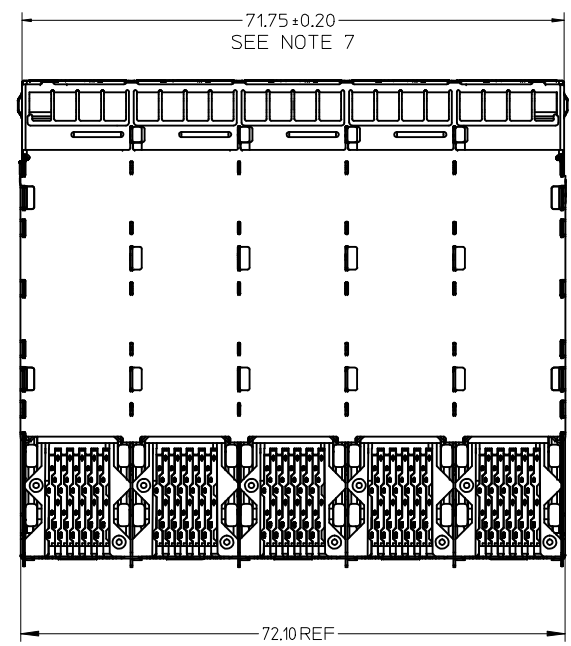
760470002 AND 760475002
WITH INNER LIGHTPIPPES



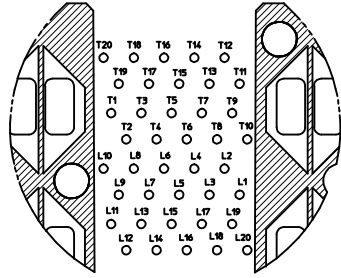
760470003 AND 760475003
WITH OUTER LIGHTPIPPES



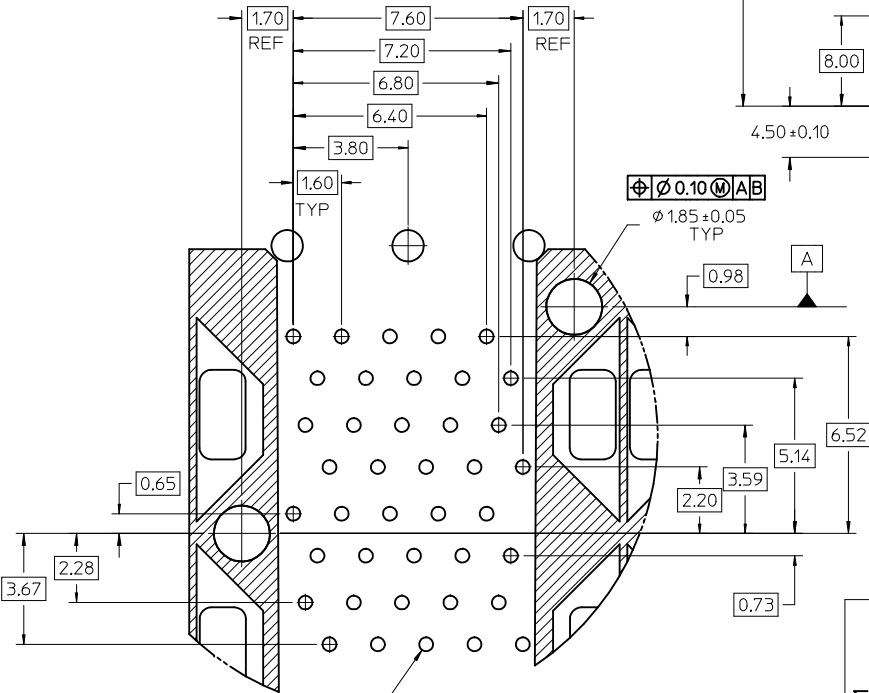
CIRCUIT NUMBERING
AND LIGHTPIPE
IDENTIFICATION
DETAIL B
SCALE 5:1



SEE SHEET 1 EC NO: UCP2014-4422 DRW:RWHIPPLE 2014/04/24 CHK:D.BARKER 2014/04/24 APPR:SMILLER 2014/05/08	QUALITY SYMBOLS	GENERAL TOLERANCES (UNLESS SPECIFIED)		DIMENSION STYLE	SCALE	DESIGN UNITS	THIRD ANGLE PROJECTION
	▽=0	mm	INCH	IN/MM	2:1	INCH	
	▽=0	4 PLACES ± ---	± ---	DRAWN BY	DATE	TITLE	
	▽=0	3 PLACES ± ---	± ---	MSANDBERG	10/16/2006	STACKED SFP+ 2X5 ASS'Y WITH METAL EMI GASKET AND LIGHTPIPPES	
	▽=0	2 PLACES ± 0.13	± ---	CHECKED BY	DATE	molex	
	1 PLACE ± 0.25	± ---	JLONG	10/16/2006	DOCUMENT NO.		
	0 PLACE ±	±	APPROVED BY	DATE	SD-76047-001		
			RNELSON	10/16/2006	SHEET NO.		
					2 OF 4		
					THIS DRAWING CONTAINS INFORMATION THAT IS PROPRIETARY TO MOLEX INCORPORATED AND SHOULD NOT BE USED WITHOUT WRITTEN PERMISSION		

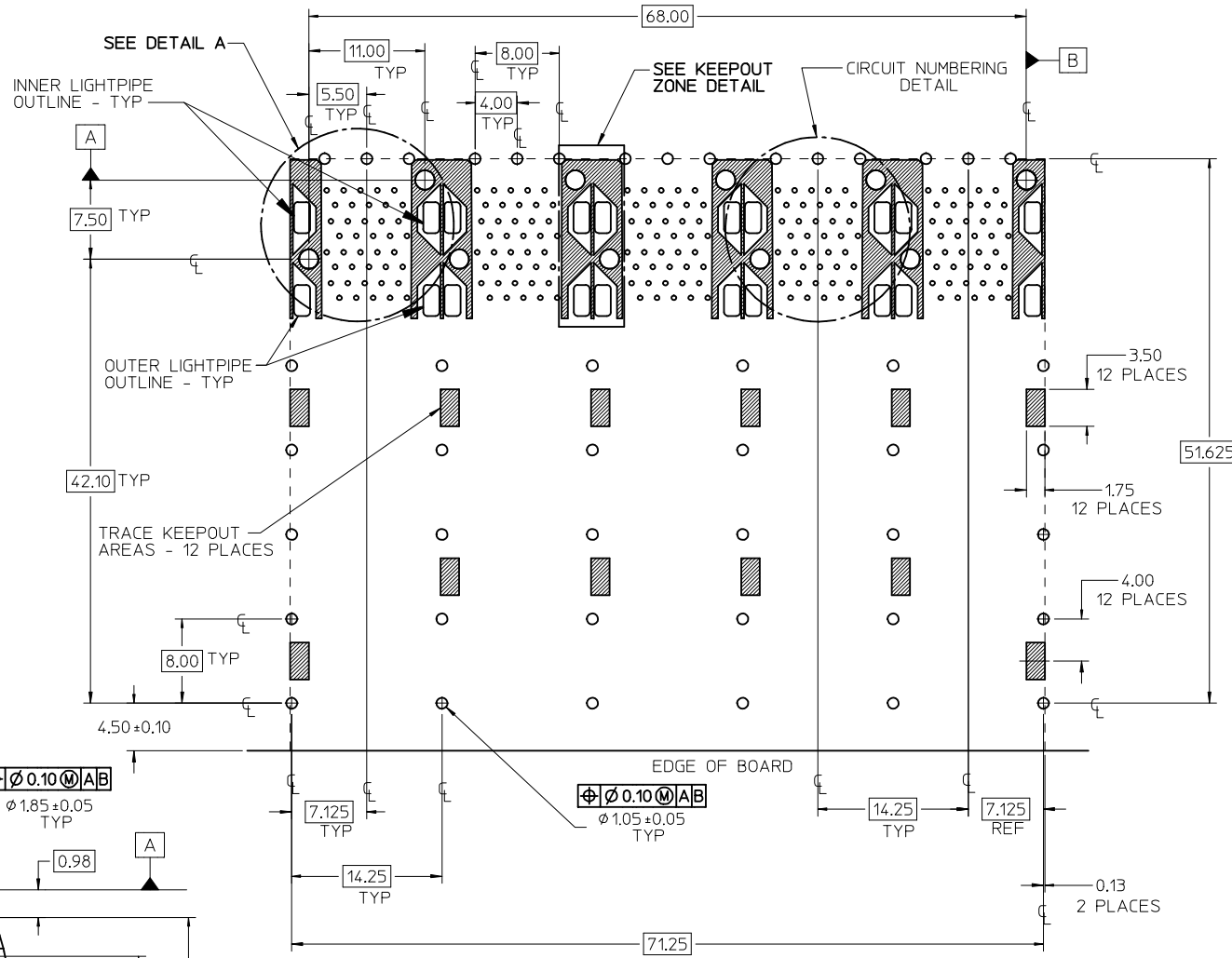


CIRCUIT NUMBERING
SCALE 5:1



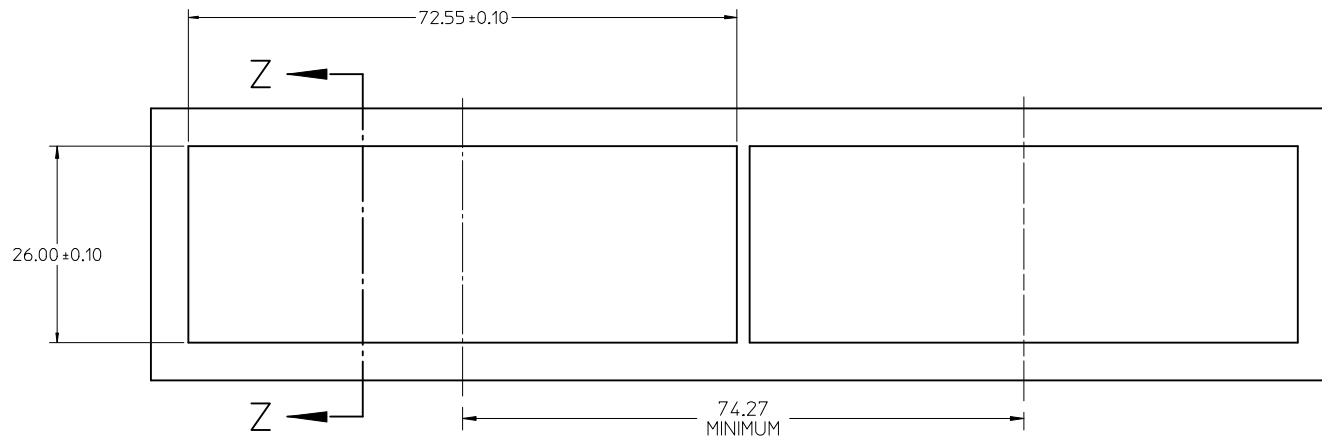
$\phi 0.10$ A/B
 $\phi 0.46 \pm 0.05$ TYP
($\phi 0.57$ DRILL)
($\phi 0.88$ PAD)

DETAIL A
SCALE 8:1

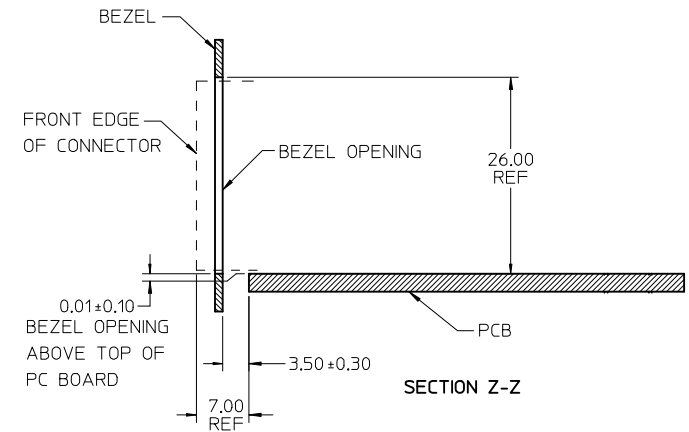
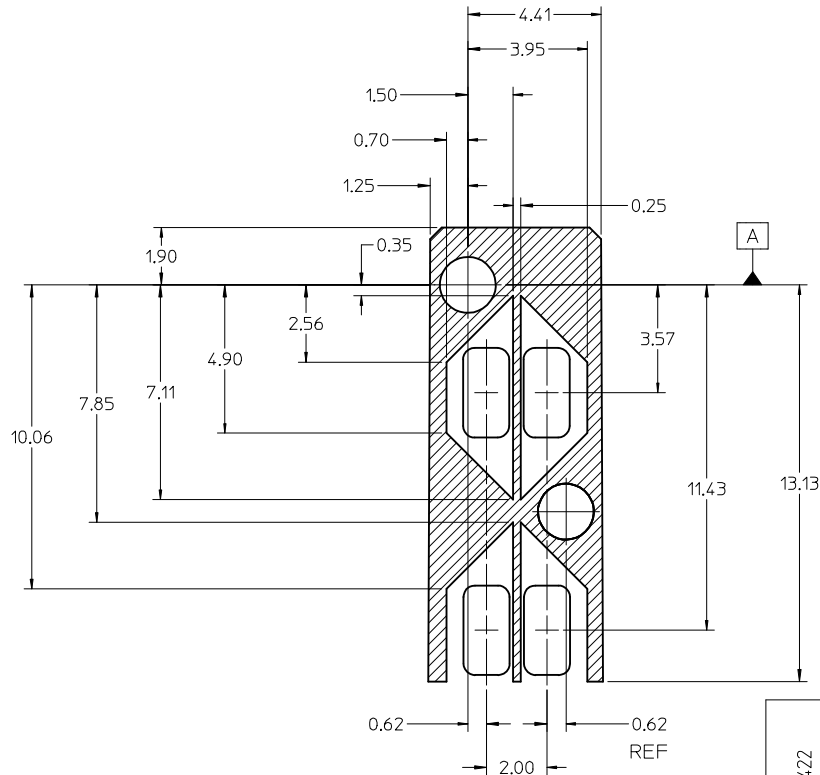


RECOMMENDED PCB LAYOUT - COMPONENT SIDE
RECOMMENDED PCB THICKNESS - 2.36 MM (0.93 INCH)
THE ENTIRE AREA OF THE CONNECTOR FOOTPRINT
TO BE CONSIDERED THE KEEP OUT AREA FOR COMPONENT'S
(OTHER THAN LIGHTPIPE LED'S)
THIS AREA IS INDICATED BY THE DASHED LINE

SEE SHEET 1 EC NO: UCP2014-4422 DRAWN BY: DRWINWHIPPLE CHKD: BBARKER APPR: SMILLER REV: H	DESCRIPTION 2014/04/24 2014/04/24 2014/05/08	QUALITY SYMBOLS ▽=0 ▽=0 ▽=0	GENERAL TOLERANCES (UNLESS SPECIFIED)		DIMENSION STYLE IN/MM		SCALE 3:1	DESIGN UNITS INCH	THIRD ANGLE PROJECTION
			mm	INCH	DRAWN BY MSANDBERG	DATE 10/16/2006	TITLE STACKED SFP+ 2X5 ASS'Y WITH METAL EMI GASKET AND LIGHTPIPES	DOCUMENT NO. SD-76047-001	SHEET NO. 3 OF 4
DRAFT WHERE APPLICABLE MUST REMAIN WITHIN DIMENSIONS			ANGULAR $\pm 1/2^\circ$		SEE SHEET 1		THIS DRAWING CONTAINS INFORMATION THAT IS PROPRIETARY TO MOLEX INCORPORATED AND SHOULD NOT BE USED WITHOUT WRITTEN PERMISSION		



BEZEL CUTOUT CENTER SPACING DETAIL
BEZEL THICKNESS 0.8-2.6



KEEP OUT ZONE DETAIL - LIGHTPIPE LOCATION AND OTHER ZONES
SCALE 8:1

THE HATCHED AREA IN THIS VIEW INDICATES ZONES THAT ARE OCCUPIED BY THE PLASTIC HOUSING THAT SEATS AGAINST THE PCB AND BY THE VERTICAL METAL CAGE WALL THAT STOPS JUST SHORT OF THE PCB

SEE SHEET 1 EC NO: UCP2014-4422 DRWNR:WHIPPLE 2014/04/24 CHKD:BBARKER 2014/04/24 APPR:SMILLER 2014/05/08	DESCRIPTION	QUALITY SYMBOLS	GENERAL TOLERANCES (UNLESS SPECIFIED)	DIMENSION STYLE	SCALE	DESIGN UNITS	THIRD ANGLE PROJECTION
		▽=0	mm INCH	IN/MM	2:1	INCH	
H	REV	▽=0	4 PLACES ± --- ± ---	DRAWN BY	DATE	TITLE	DOCUMENT NO.
		▽=0	3 PLACES ± --- ± ---	MSANDBERG	10/16/2006		
		▽=0	2 PLACES ± 0.13 ± ---	CHECKED BY	DATE	STACKED SFP+ 2X5 ASS'Y WITH METAL EMI GASKET AND LIGHTPIPES	SHEET NO. 4 OF 4
		▽=0	1 PLACE ± 0.25 ± ---	JLONG	10/16/2006		
			0 PLACE ± ±	APPROVED BY	DATE	molex	SD-76047-001
				RNELSON	10/16/2006		
			ANGULAR ±1/2°	MATERIAL NO.			
			DRAFT WHERE APPLICABLE MUST REMAIN WITHIN DIMENSIONS	SEE SHEET 1			
				SIZE	THIS DRAWING CONTAINS INFORMATION THAT IS PROPRIETARY TO MOLEX INCORPORATED AND SHOULD NOT BE USED WITHOUT WRITTEN PERMISSION		