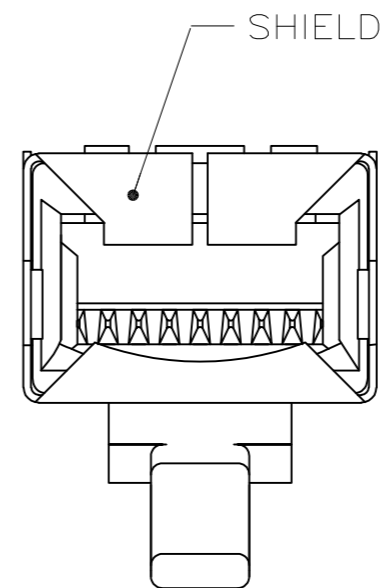
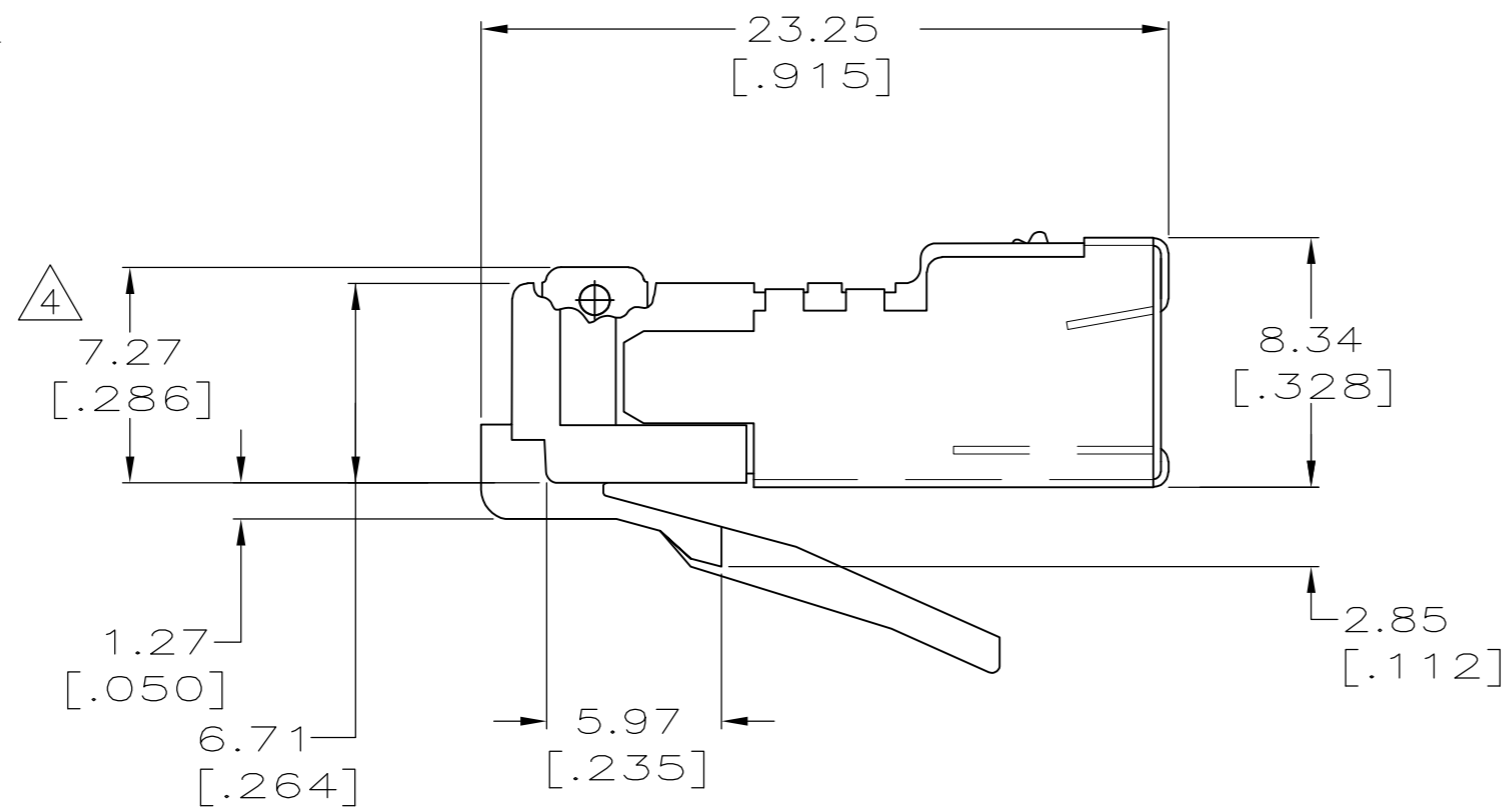
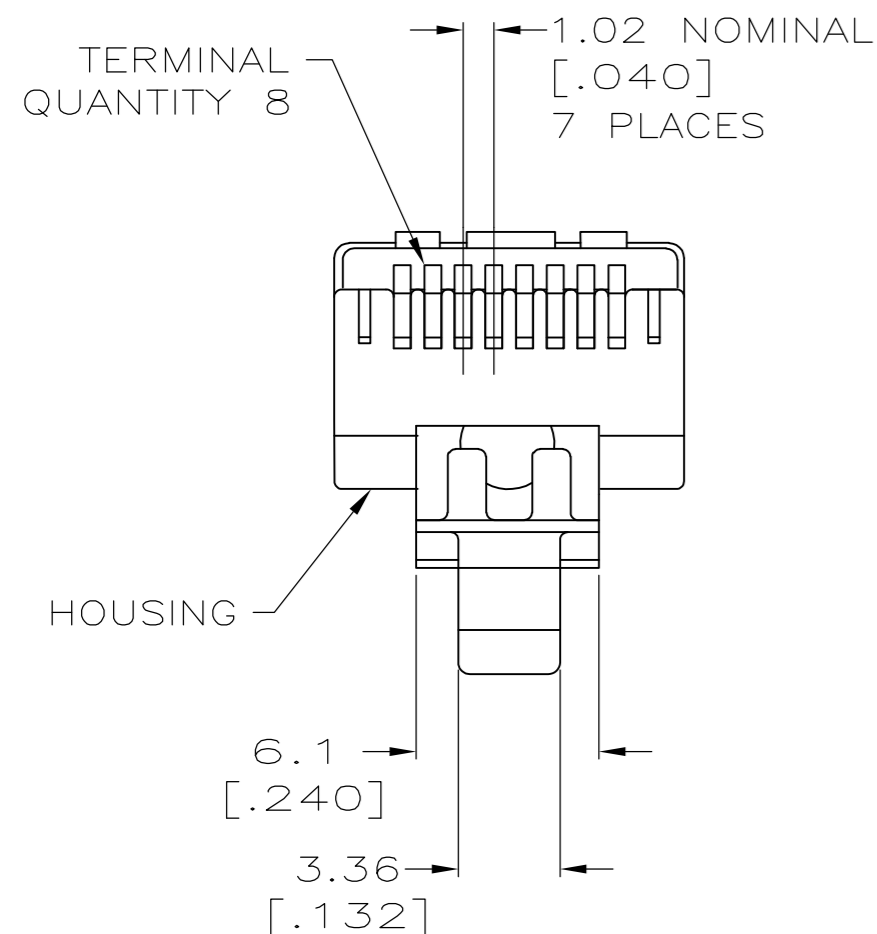
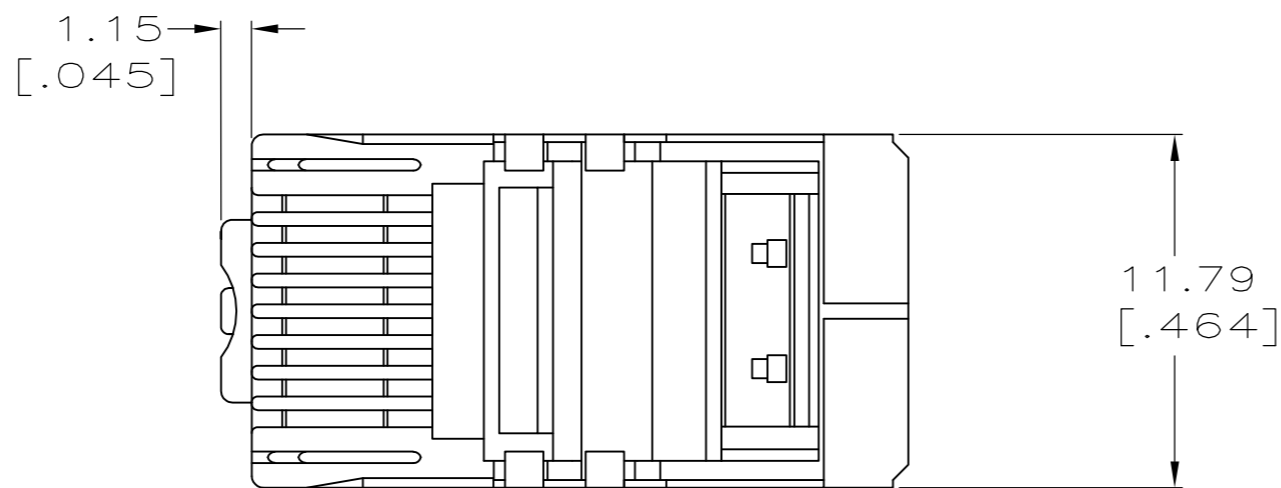


THIS DRAWING IS UNPUBLISHED. RELEASED FOR PUBLICATION
 © COPYRIGHT - By - ALL RIGHTS RESERVED.

LOC	DIST	REVISIONS					
HM	00	P	LTR	DESCRIPTION	DATE	DWN	APVD
		D		REV PER ECO-12-012703	10JULY12	JB	JG



- 1 DIMENSIONS ARE MAXIMUM UNLESS OTHERWISE SPECIFIED.
- 2 MATERIAL: HOUSING-POLYCARBONATE, BLUE
 TERMINAL- PHOSPHOR BRONZE, PLATED WITH 1.27µm [.000050] MINIMUM THICK GOLD IN LOCALIZED GOLD PLATE AREA OVER 2.54µm [.000100] MINIMUM THICK NICKEL UNDERPLATE.
 SHIELD - COPPER ALLOY WITH 1.27µm [.000050] MINIMUM SEMI-BRIGHT (SATIN) NICKEL.
- 3. PLUG WILL ACCEPT 26 OR 28 AWG SOLID WIRE, 0.74-0.86 [.029-.034] DIAMETER, WITH A 5.08 [.200] DIAMETER MAXIMUM JACKET.
- 4 TERMINATED DIMENSION 6.15 [.242] MAXIMUM.
- 5 PACKAGED 500 ASSEMBLIES PER CARTON.
- 6 PACKAGED 100 ASSEMBLIES PER BOX.

6	5-406347-3
5	5-406347-2
PACKAGED	PART NUMBER

THIS DRAWING IS A CONTROLLED DOCUMENT.		DWN	L. HALL	25OCT2006		TE Connectivity			
DIMENSIONS: mm [INCHES]		CHK	C. DOOLEY	30OCT2006		NAME			
TOLERANCES UNLESS OTHERWISE SPECIFIED:		APVD	C. DOOLEY	30OCT2006		PRODUCT SPEC			
0 PLC ± - 1 PLC ± - 2 PLC ± - 3 PLC ± - 4 PLC ± - ANGLES ± - FINISH -2		108-1163 APPLICATION SPEC 114-6016 WEIGHT -		MODULAR PLUG ASSEMBLY, 8 POSITION, SHIELDED, SMALL CONDUCTOR, ROUND CABLE, SOLID WIRE		RESTRICTED TO			
MATERIAL		SIZE	A2	CAGE CODE	00779	DRAWING NO	C=406347	REV	D
CUSTOMER DRAWING		SCALE	4:1	SHEET	1 of 1				