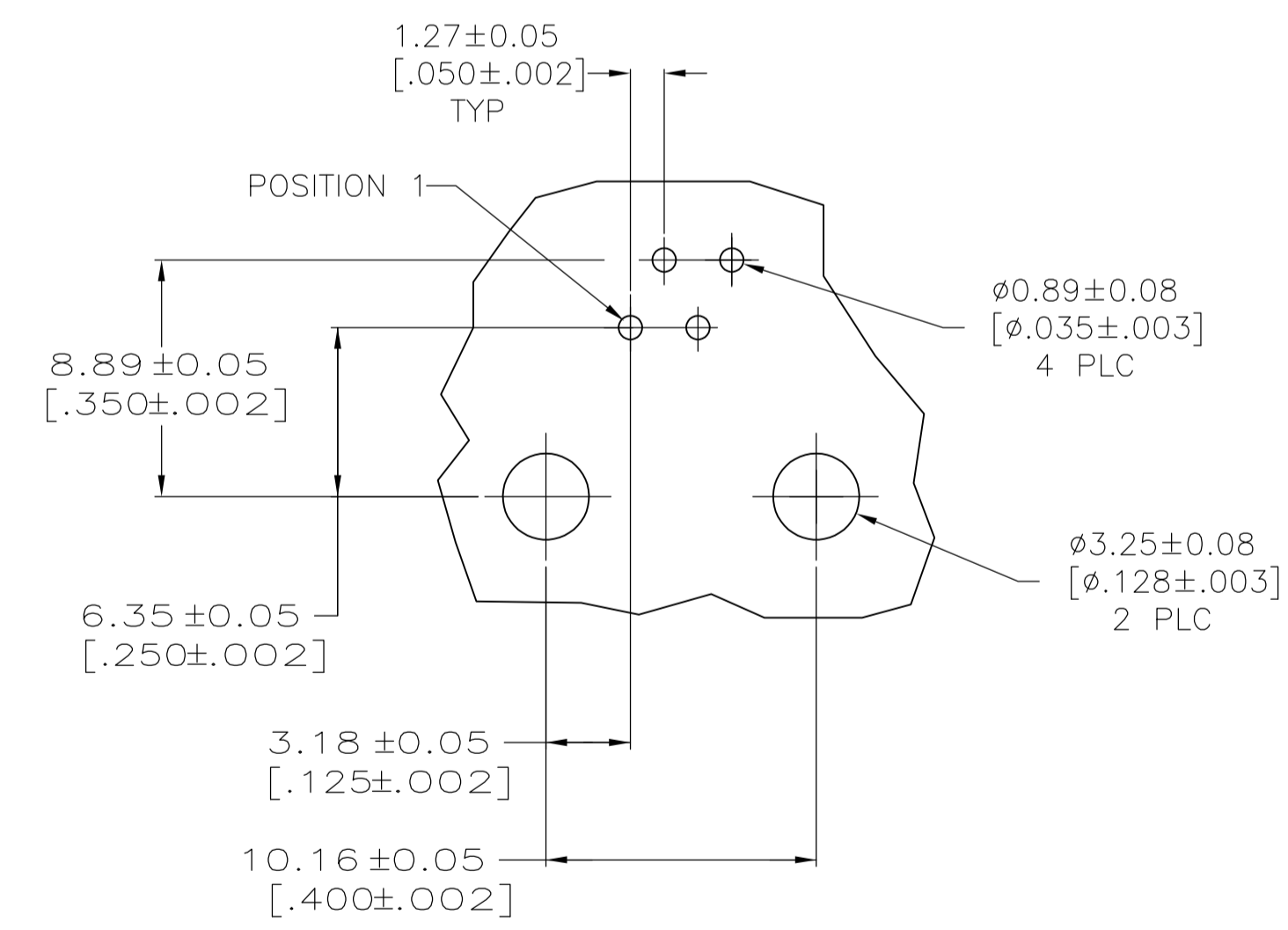
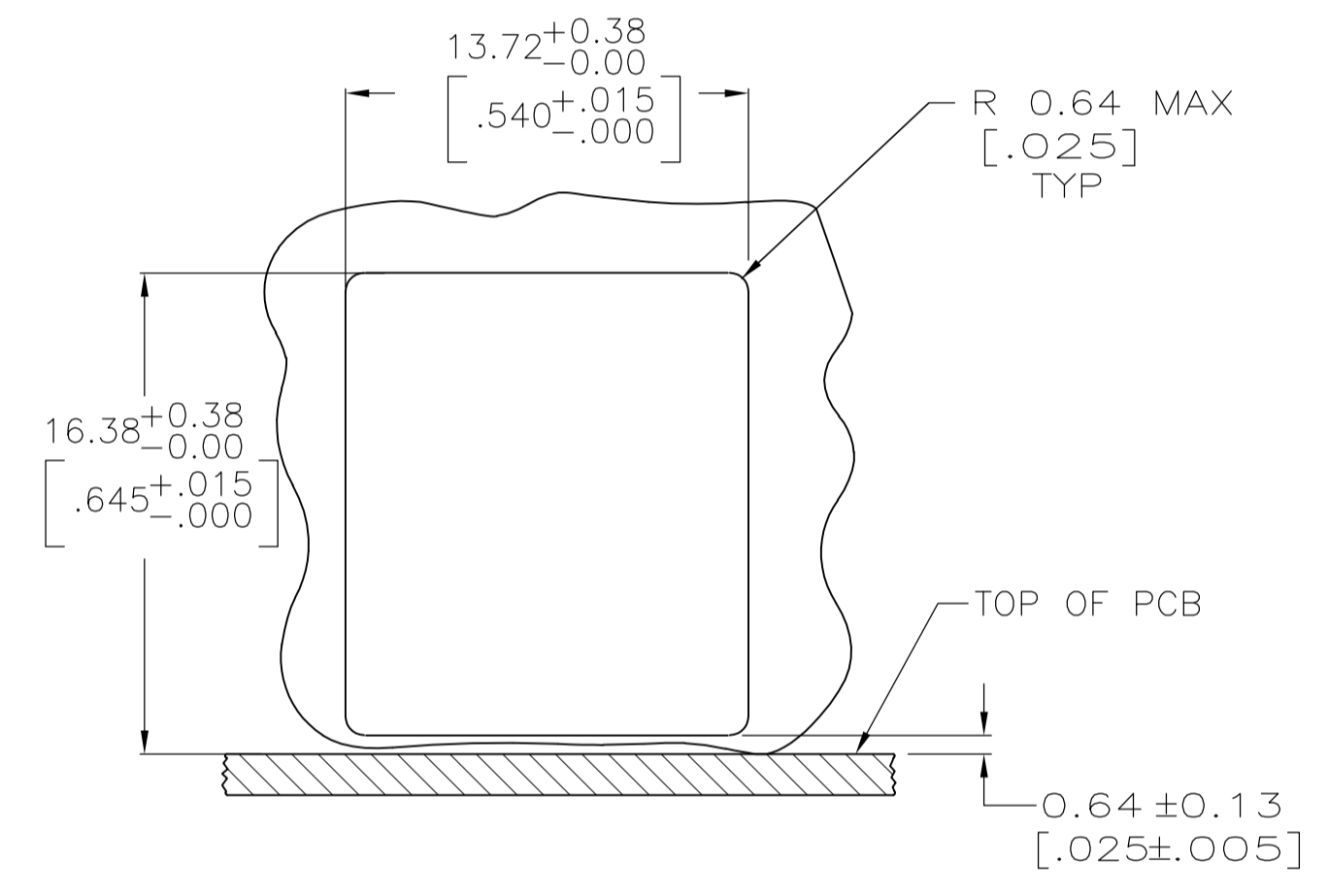
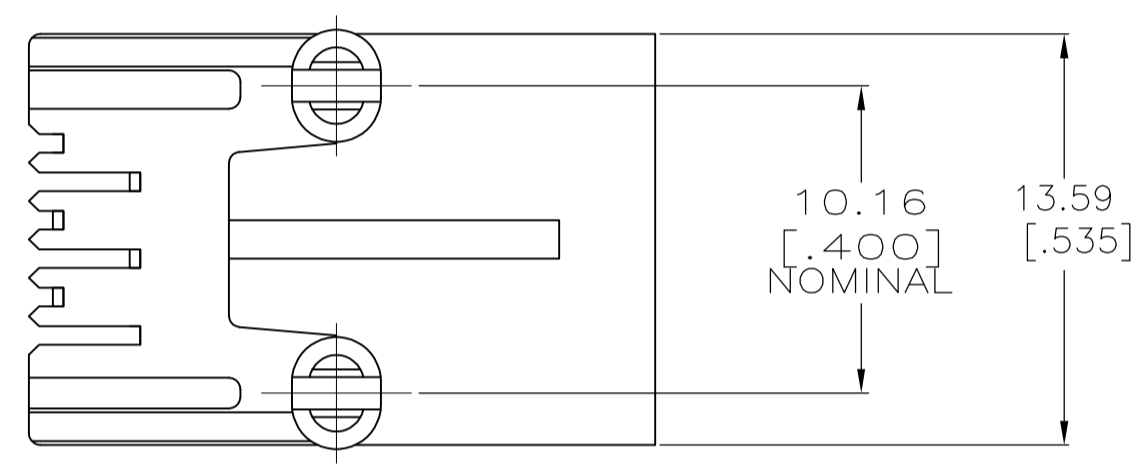


- MATERIAL: HOUSING - PBT POLYESTER, COLOR: BLACK  
TERMINALS - 0.36[014] THICK PHOS-BRONZE  
PLATED WITH 1.27 $\mu$ m[.000050] MINIMUM THICK  
HARD GOLD IN LOCALIZED GOLD PLATE AREA  
AND 3.81 $\mu$ m[.000150] MINIMUM THICK MATTE TIN  
IN SOLDER AREA OVER 1.27 $\mu$ m[.000050] MINIMUM  
THICK NICKEL UNDERPLATE.
  - ALL DIMENSIONS SHOWN ARE MAXIMUM  
UNLESS OTHERWISE SPECIFIED.
  - TERMINALS LOCATED IN CENTER POSITIONS.
- ⚠ CAVITY CONFORMS TO FCC RULES AND  
REGULATIONS PART 68 AND REA BULLETIN  
345-81 PE-76 SPECIFICATION FOR MODULAR  
TELEPHONE HARDWARE.
- ⚠ BULK PACKAGED IN A TRAY.



PRINTED CIRCUIT BOARD LAYOUT  
COMPONENT SIDE SHOWN

⚠	5555979-1
PACKAGED	PART NUMBER

THIS DRAWING IS A CONTROLLED DOCUMENT.		DIN G. ATTADIA - 08/JUN/2005	TE Connectivity
DIMENSIONS: mm [INCHES]		CHK J. WESTMAN 08/JUN/2005	
TOLERANCES UNLESS OTHERWISE SPECIFIED:		APVD S. FLICKINGER 08/JUN/2005	NAME
0 PLC ± -	1 PLC ± -	PRODUCT SPEC	MODULAR JACK ASSEMBLY, SIDE ENTRY, 6 POSITION/4 CONTACTS, FLANGELESS WITHOUT PANEL STOPS
2 PLC ± 0.13[.005]	3 PLC ± -	APPLICATION SPEC	108-1163
4 PLC ± -	ANGLES ± -	SIZE	114-2048
MATERIAL SEE NOTE 1	FINISH SEE NOTE 1	WEIGHT	A1 00779 ©=5555979
CUSTOMER DRAWING		SCALE	4:1
		SHEET	1 OF 1
		REV	B1