

SUMMARY



Image is for illustrative purpose only

Wires

| | |
|---------|---|
| Low | 0 |
| High | 0 |
| Coax | 1 |
| Triax | 0 |
| Quad | 0 |
| Fiber | 0 |
| Fluidic | 0 |

Download

[Request a quote](#)

[Catalog](#)

| | |
|------------------|----------------|
| Series | 03 |
| Termination type | Female solder |
| IP rating | 68 |
| Cable Ø | 0.00 - 0.00 mm |
| Matching parts | |
| Status | |
| Alternative part | |

TECHNICAL DETAILS

Mechanics

| | |
|-------------------|---|
| Shell Style/Model | HVP.03*: Fixed receptacle, round flange, nut fixing, vacuumtight |
| Keying | |
| Housing Material | Brass (chrome plated) shell and collet nut, nickel plated brass latch sleeve and mid pieces |
| Cable Fixing | ∅ 0 - 0 mm |
| Variant | PV : Watertight / Vacuum-tested |

Performance

| | |
|---------------|--------------------------|
| Configuration | 03.250 : 1 Coax (50 Ohm) |
| Insulator | |
| Rated Current | |

Specifications

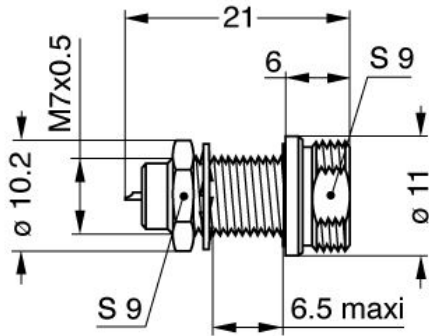
Contact Type: Solder

Others

R leak (He) (max): 0.0000001 mbar*l/s (if vacuum-tested)
Pressure: 60 bars (120 bars with LEMO cable assembly)

DRAWINGS

Draws



Dimensions

| | A | B | E | L | M | S1 | S2 | e |
|-----|------|------|------|------|------|------|------|--------|
| mm. | 11 | 10.2 | 6.5 | 21 | 6 | 9 | 9 | M7x0.5 |
| in. | 0,43 | 0,40 | 0,26 | 0,83 | 0,24 | 0,35 | 0,35 | |

RECOMMENDED BY LEMO

Tools

None

Cables