

2	D
1	D
SHT	REV

ADD COSMETIC NOTE EC NO: UCP2006-3051 DRAWN BY: BARRA 2006/07/10 CHKD: MORGAN 2006/07/10 APPR: SMILLER 2006/07/11	QUALITY SYMBOLS 	GENERAL TOLERANCES (UNLESS SPECIFIED)		DIMENSION STYLE IN/MM	SCALE 4:1	DESIGN UNITS INCH	THIRD ANGLE PROJECTION	
		4 PLACES ± --- ± --- 3 PLACES ± --- ± .010 2 PLACES ± 0.13 ± --- 1 PLACE ± --- ± ---	DRAWN BY: MOS DATE: 1994/07/08 CHECKED BY: MOS DATE: 1994/07/08 APPROVED BY: GF DATE: 1994/07/08	TITLE .050 PITCH LFH 160CKT RIGHT ANGLE I/O FEMALE ASSEMBLY - WITHOUT PEG		MATERIAL NO. GF	DOCUMENT NO. SDA-71626-5***	SHEET NO. 1 OF 2
		DRAFT WHERE APPLICABLE MUST REMAIN WITHIN DIMENSIONS		SEE TABLE		MOLEX INCORPORATED		

PART #	ENG.#	DIM. "A"
71626-5000	SDA-71626-5000	.092

13 12 11 10 9 8 7 6 5 4 3 2 1

NOTES:
1) MATERIALS:

HOUSING: LCP, 30% GLASS FILLED, 94V-0, BLACK.
TAIL ALIGNER: LCP 30% GLASS FILLED, 94V-0, BLACK.
MOLDED STICK: LCP 30% GLASS FILLED, 94V-0, BLACK.
FEMALE CONTACT: BERYLLIUM COPPER .0100±.0005 THICK.
OUTER SHELL: LOW CARBON STEEL.
THREADED INSERT: BRASS.

2) PLATING :

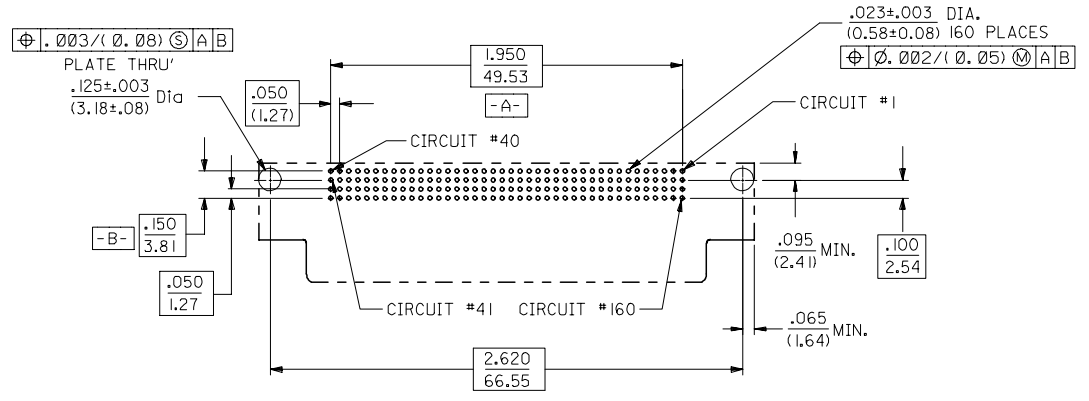
CONTACT: .000030 INCHES OF GOLD IN SELECTIVE AREA OVER
.000050/.000100 INCHES OF NICKEL IN CONTACT AREA;
.000100/.000200 INCHES OF TIN ON TAIL SECTION.

OUTER SHELL: .000150/.000200 INCHES OF TIN
OVER .000050/.000100 INCHES OF NICKEL
OVER .000050/.000100 INCHES
OF COPPER OVERALL (OPTIONAL).

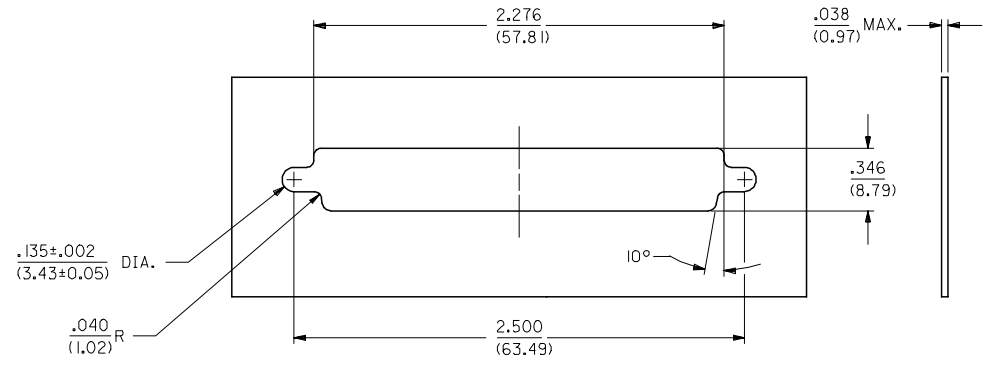
3) THIS PART CONFORMS TO MOLEX PRODUCT SPECIFICATION PS-71626.

4) PACKAGING SPECIFICATION PK-70873-0225 APPLIES.

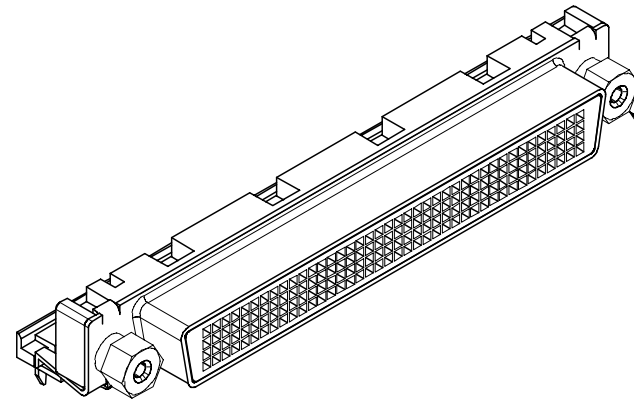
5) PART COMPLIES WITH CLASS B OF COSMETIC SPECIFICATION PS-45499-002



RECOMMENDED PC BOARD LAYOUT
COMPONENT SIDE



PANEL CUT-OUT DIMENSIONS
ALL TOLERANCES ±.003/(0.08)
UNLESS OTHERWISE STATED.



FOR OPTIONAL HARDWARE DETAILS
SEE SDA-71629-*****

ADD NOTE 5 FC NO: UCP2006-3051 DRAWN BY: BARRA 2006/07/10 CHKD: BORGAN 2006/07/10 APPR: SMILLER 2006/07/11	DESCRIPTION REVISIONS 1 2	QUALITY SYMBOLS ▽=0 ▽=0	GENERAL TOLERANCES (UNLESS SPECIFIED) <table border="1"> <tr> <th></th> <th>mm</th> <th>INCH</th> </tr> <tr> <td>4 PLACES</td> <td>± .003</td> <td>± .003</td> </tr> <tr> <td>3 PLACES</td> <td>± .004</td> <td>± .004</td> </tr> <tr> <td>2 PLACES</td> <td>± .005</td> <td>± .005</td> </tr> <tr> <td>1 PLACE</td> <td>± .007</td> <td>± .007</td> </tr> </table>		mm	INCH	4 PLACES	± .003	± .003	3 PLACES	± .004	± .004	2 PLACES	± .005	± .005	1 PLACE	± .007	± .007	DIMENSION STYLE IN/MM	SCALE 2:1	DESIGN UNITS INCH	THIRD ANGLE PROJECTION
			mm	INCH																		
		4 PLACES	± .003	± .003																		
		3 PLACES	± .004	± .004																		
2 PLACES	± .005	± .005																				
1 PLACE	± .007	± .007																				
DRAWN BY: MOS 1994/07/08 CHECKED BY: GF 1994/07/08 APPROVED BY: GF 1994/07/08			TITLE .050 PITCH LFH 160CKT RIGHT ANGLE RECEPTACLE ASSEMBLY WITHOUT PEG		molex MOLEX INCORPORATED																	
DRAFT WHERE APPLICABLE MUST REMAIN WITHIN DIMENSIONS			MATERIAL NO. SEE TABLE		DOCUMENT NO. SDA-71626-5***																	
SHEET NO. 2 OF 2			THIS DRAWING CONTAINS INFORMATION THAT IS PROPRIETARY TO MOLEX INCORPORATED AND SHOULD NOT BE USED WITHOUT WRITTEN PERMISSION																			

12 11 10 9 8 7 6 5 4 3 2 1