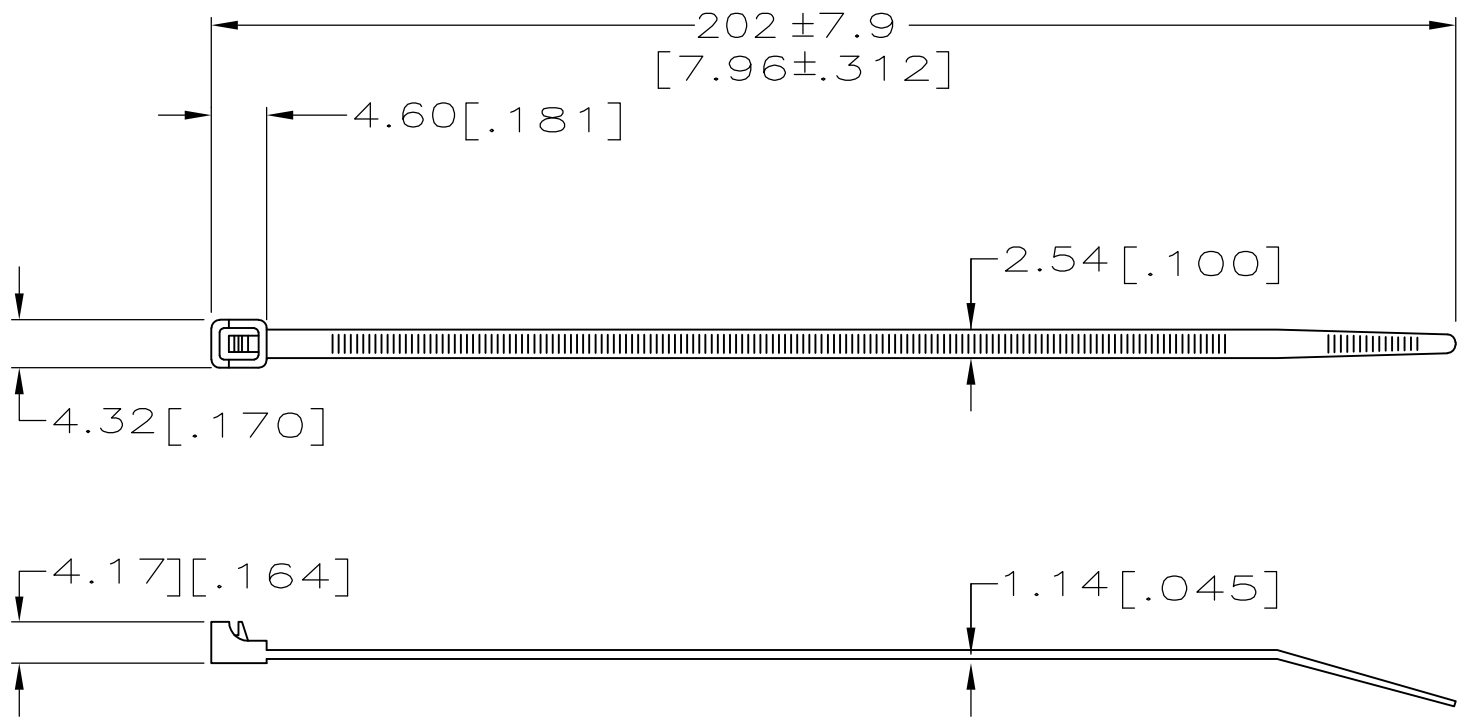


THIS DRAWING IS UNPUBLISHED. RELEASED FOR PUBLICATION
 © COPYRIGHT BY TYCO ELECTRONICS CORPORATION. ALL INTERNATIONAL RIGHTS RESERVED.

LOC	DIST	REVISIONS					
F1	25	P	LTR	DESCRIPTION	DATE	DWN	APVD
		G1		REV PER ECR 10-005510	12MAR10	JR	TM

1. PACKAGED IN A HEAT SEALED 3 MIL POLYBAG WITH LABEL PER DWG 404707.
2. MAXIMUM BUNDLE DIAMETER: 50.8 [2.0].
3. MINIMUM TENSILE STRENGTH: 8.165 KG [18 LBS].
- 4 MIL NO. MS3367-4
- 5 MOSITURIZED 1 TO 2.5% WATER



1000	TY2MB	BLACK	2-608687-0
1000	TY2M	NATURAL	2-608687-9
100	TY2CB	BLACK	1-608687-0
100	TY2C	NATURAL	1-608687-9
QUANTITY/BAG	REF	COLOR	PART NUMBER

THIS DRAWING IS A CONTROLLED DOCUMENT.		DWN JR RUTH 12MAR10	Tyco Electronics Corporation Harrisburg, PA 17105-3608	
DIMENSIONS: mm [INCHES]		CHK T MICHELUTTI 12MAR10	NAME CABLE TIE, RELEASABLE, 8 INCHES	
TOLERANCES UNLESS OTHERWISE SPECIFIED: 0 PLC ± - 1 PLC ± - 2 PLC ± - 3 PLC ± 0.99[.039] 4 PLC ± - ANGLES ± -		APVD T MICHELUTTI 12MAR10	PRODUCT SPEC -	
MATERIAL NYLON 6/6		FINISH -	APPLICATION SPEC -	RESTRICTED TO -
		WEIGHT -	SIZE A3	CAGE CODE 00779
		DRAWING NO G-608687		SCALE NONE
		CUSTOMER DRAWING		SHEET 1 OF 1
				REV G1