



SWELL LOCK



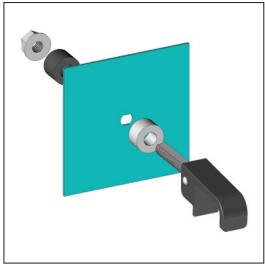
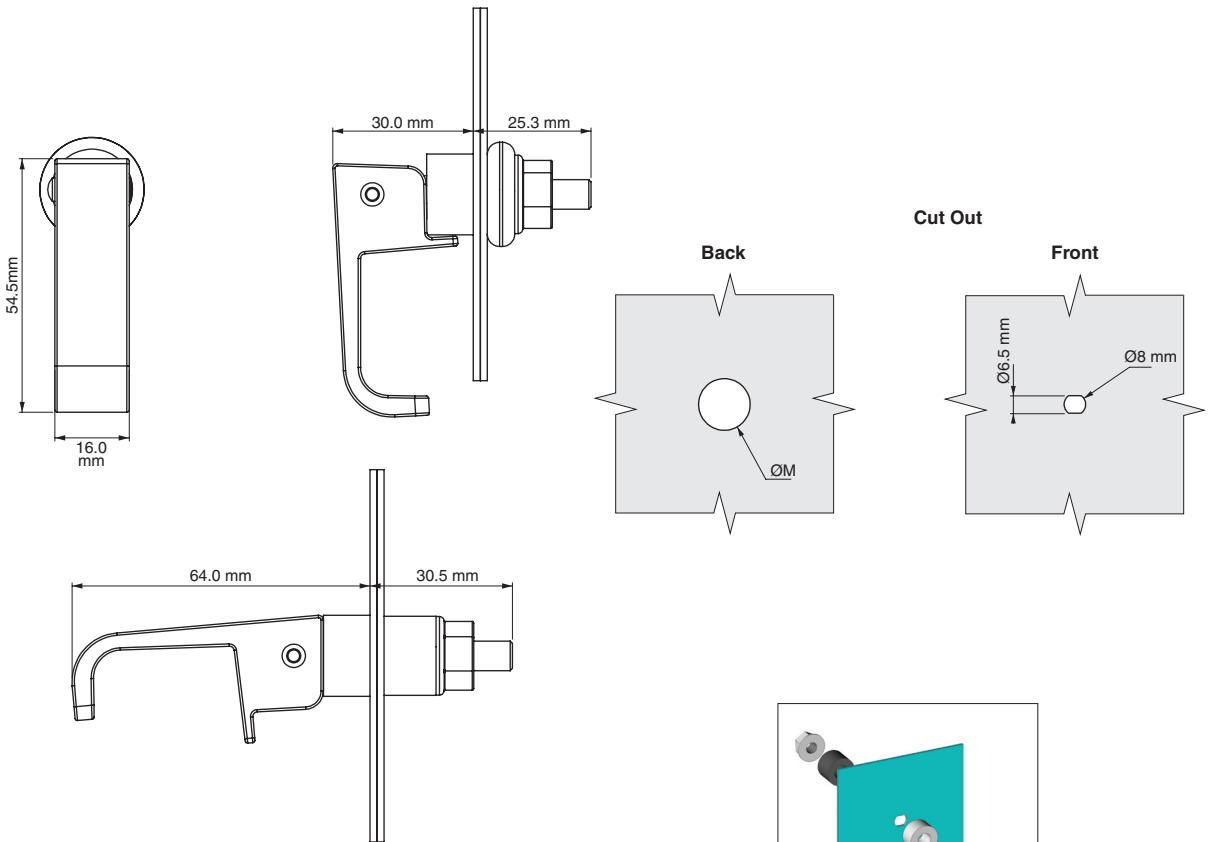
Specifications

- Material:
 - Handle: Zinc Alloy (Zamak) DIN-EN 1774-ZnAl4Cu1
 - Washer: PA66
 - Nut: PA66
 - Bushing: SBR Rubber

Features

- Used for the enclosures that require better under vibration conditions.
- It is suitable with special cut out for different frame thickness
- Applications: Electric panels, machinery covers, railway applications, construction equipment

Version 3



Frame Thickness	Cut Out $\varnothing M$
1.2 mm - 3.2 mm	19.0 mm
3.2 mm - 4.8 mm	19.5 mm
4.8 mm - 6.4 mm	20.0 mm
6.4 mm and up	20.5 mm

Item Number	Material	Finish
270203	Zinc Alloy (Zamak)	Black