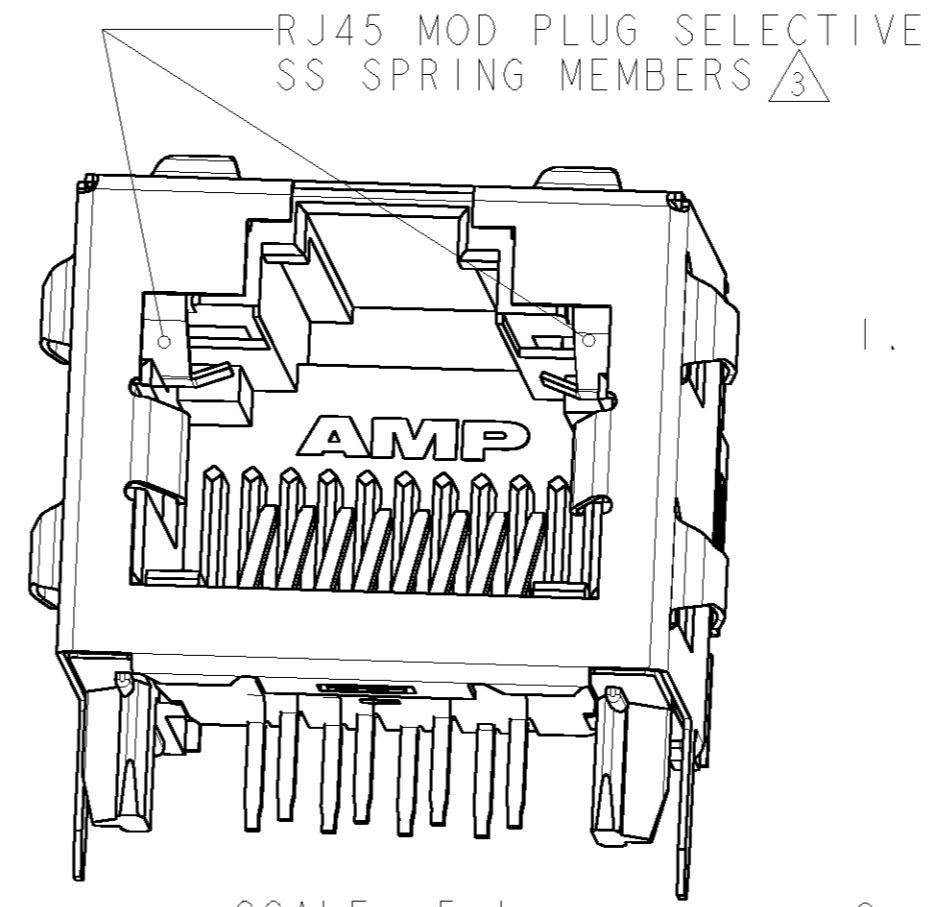
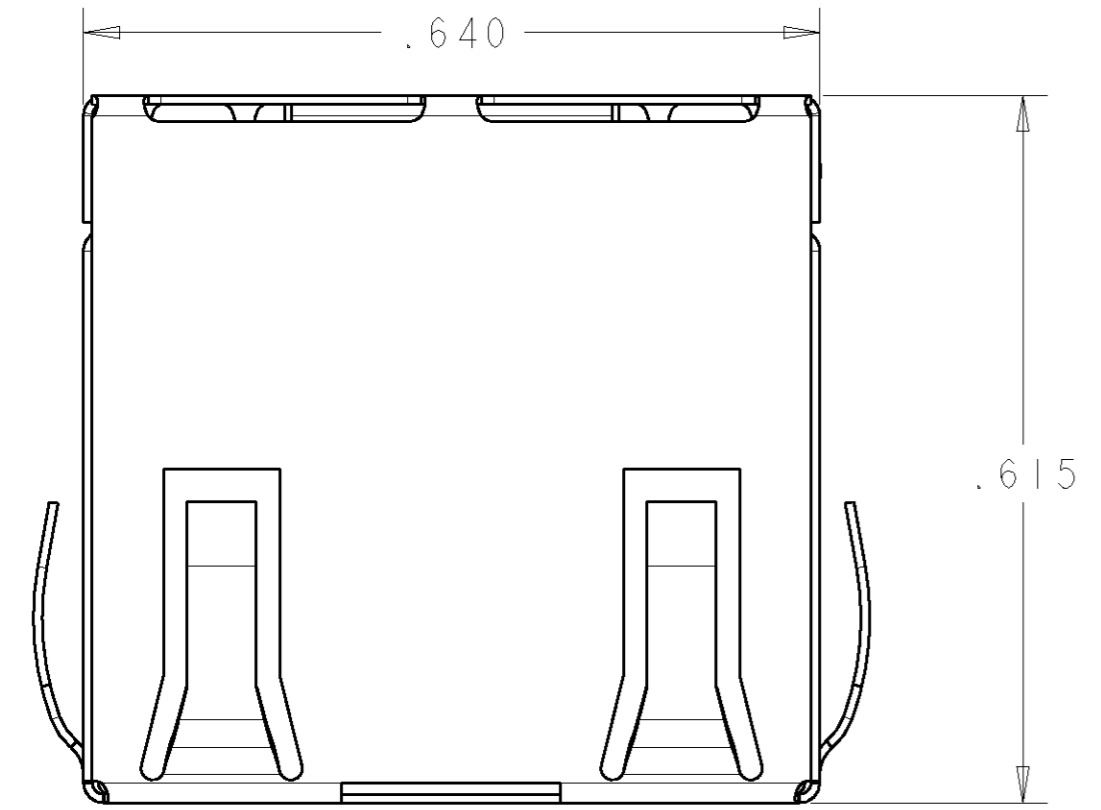
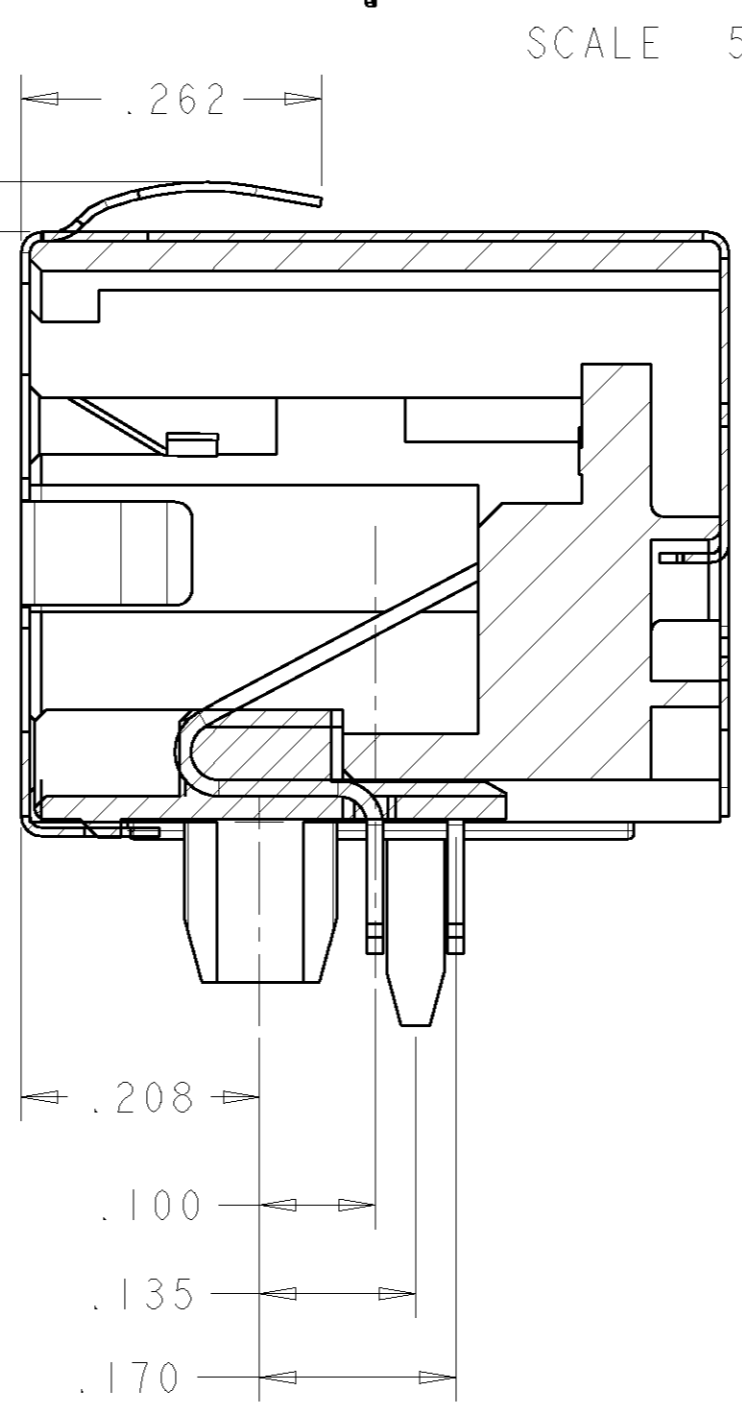
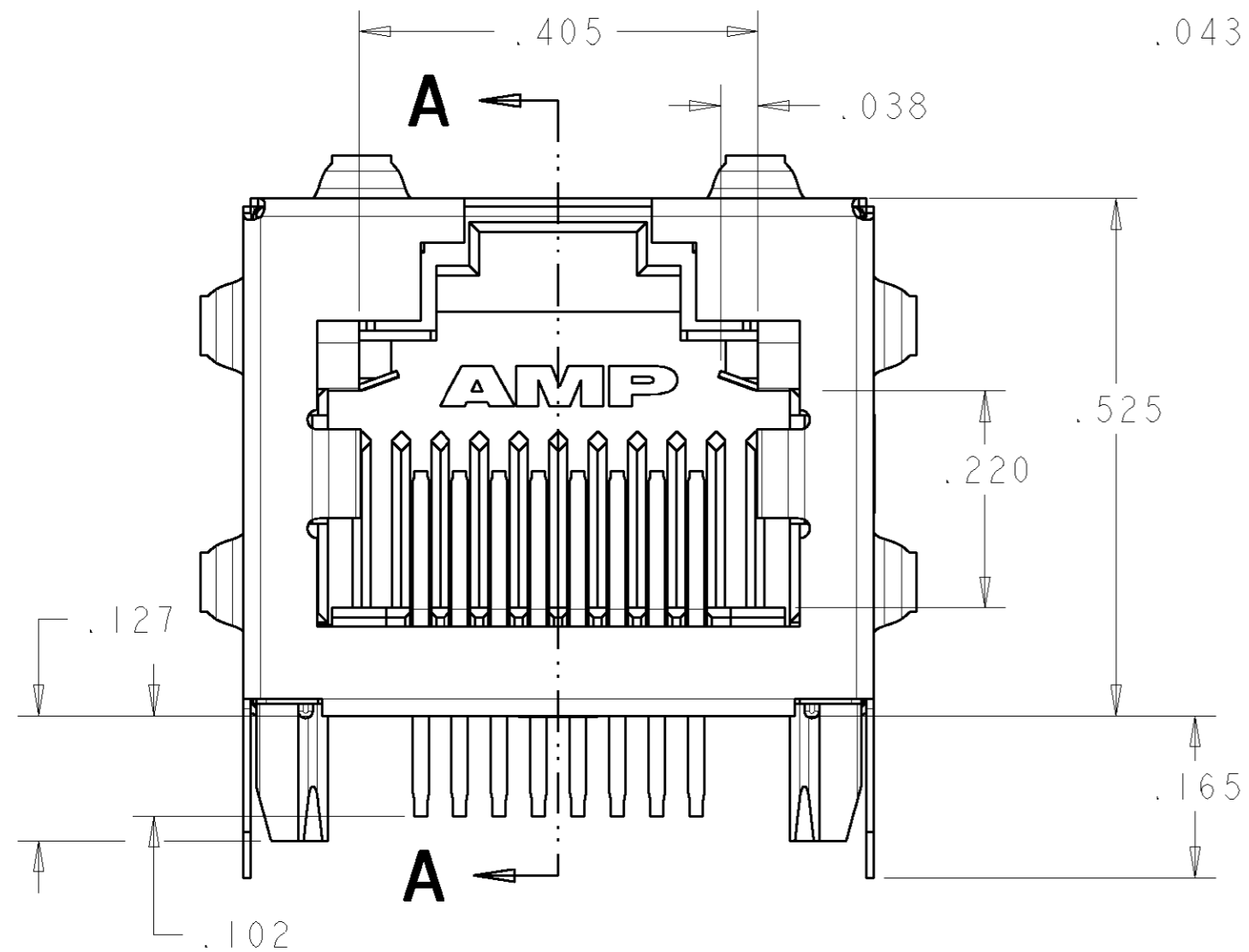


LOC	DIST	REVISIONS					
		P	LTR	DESCRIPTION	DATE	DWN	APVD
AA	00	A		ECOSII-0201-04	09MAY2005	LAM	SF
		B		ECO-06-028040	30NOV2006	LAM	JW



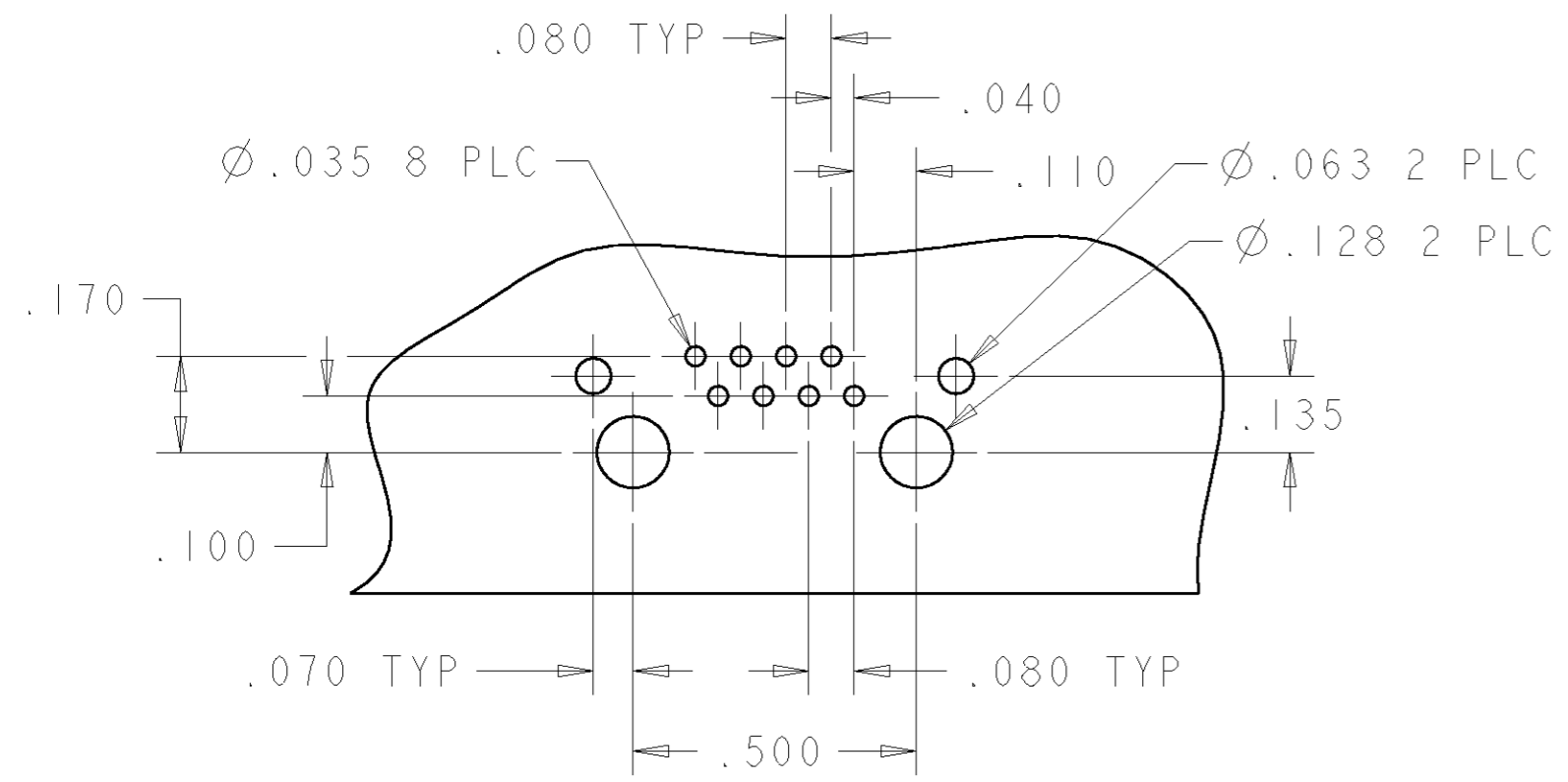
- MATERIAL:
 HOUSING -- COLOR: BLACK, HIGH TEMPERATURE THERMOPLASTIC, PER UL94V-0; IR REFLOW SOLDERING PROCESS COMPATIBLE
 TERMINALS -- .014 THICK PHOSPHOR BRONZE PLATING -- .000050 INCHES GOLD IN CONTACT AREA, .000150 INCHES MATTE TIN ON SOLDER TAILS, ALL OVER .000050 INCHES OF NICKEL
 SHIELD -- .0077 THICK COPPER ZINC ALLOY, PREPLATED WITH .000050 INCHES MIN SATIN NICKEL WITH .000080 INCHES MIN TIN POST DIPPED ON PCB GROUND TABS



- JACK CAVITY CONFORMS TO FCC RULES AND REGULATIONS PART 68, SUBPART F

3 RJ45 MOD PLUG SELECTIVE -- THIS CONNECTOR UTILIZES 2 STAINLESS STEEL SPRING MEMBERS WHICH PREVENT THE INSERTION OF A RJ11 (6 POSITION) PLUG INTO THE JACK PORT, WHILE ALLOWING A RJ45 (8 POSITION) PLUG TO MATE FREELY

WARNING: THIS FEATURE WAS DEVELOPED FOR TYPICAL PLUG INSERTION FORCES. EXCESSIVE INSERTION FORCE MAY OVERCOME THE SELECTIVE FEATURES AND DAMAGE THE CONNECTOR



PCB VIEWED THRU CONNECTOR
 SCALE 3:1

SECTION A-A

NONE	6364288-4
AS SHOWN	6364288-1
TYCO LOGO	PART NUMBER

THIS DRAWING IS A CONTROLLED DOCUMENT FOR TYCO ELECTRONICS CORPORATION IT IS SUBJECT TO CHANGE AND THE CONTROLLING ENGINEERING ORGANIZATION SHOULD BE CONTACTED FOR THE LATEST REVISION.		DWN L.A. MAYER 09MAY2005	Tyco Electronics Harrisburg, PA 17105-3608	
DIMENSIONS: INCHES		CHK J. WESTMAN 09MAY2005	NAME INVERTED MOD JACK ASSEMBLY, 1 X 1, SHIELDED, PANEL GROUNDS, RJ45 MOD PLUG SELECTIVE CAPABILITY	
TOLERANCES UNLESS OTHERWISE SPECIFIED: 0 PLC ± 1 PLC ± 2 PLC ± 3 PLC ±.005 4 PLC ± ANGLES ±		APVD S. FLICKINGER 09MAY2005	PRODUCT SPEC 108-1163-4	
MATERIAL SEE NOTE 1		FINISH SEE NOTE 1	APPLICATION SPEC 114-2154	RESTRICTED TO
CUSTOMER DRAWING		WEIGHT -	SIZE A2	CAGE CODE 00779
SCALE 2:1		DRAWING NO 6364288		SHEET 1 OF 1

6364288