

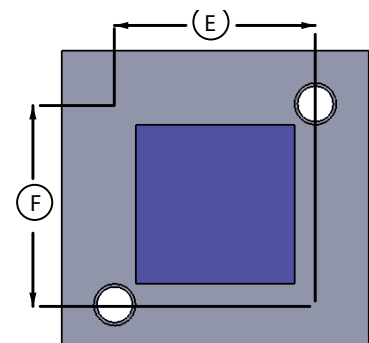
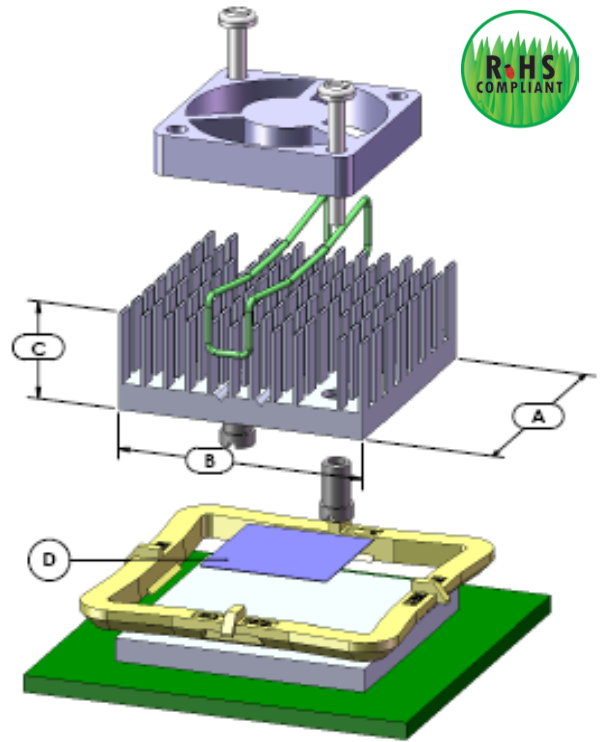


# ATS fanSINK™ with maxiGRIP™ Attachment

**ATS PART # ATS-61290D-C1-R0**

## Features & Benefits

- « X-Cut straight fin heat sink fins offer omnidirectional air flow for optimum thermal performance independent of PCB lay-out
- « Stainless steel screw fan attachment ensures dependable long-term fan to heat sink assembly. 4-40 thread screws are supplied in 4 lengths (1/2", 3/4", 7/8", 1"). Contact ATS for custom options available.
- « Product hole pattern is 20 mm C-C (center to center)
- « Component Attachment: ATS maxiGRIP™ is a proven high reliability mechanical attachment system
- « Meets Telecordia GR-63-Core Office Vibration; ETSI 300 019 Transportation Vibration; and MIL-STD-810 Shock Testing and Unpackaged Drop Testing Standards
- « maxiGRIP™ hardware includes a high performance plastic frame clip and 300 Series stainless steel spring clip- avoiding PCB through holes
- « Provided with pre-assembled Thermal Interface Material (TIM) centered on base
- « “Keep-Out” Requirements: An “Un-Populated” boarder zone of 5 mm around the component is necessary to facilitate the installation/removal of the maxiGRIP™. Please refer to the maxiGRIP™ Keep-Out Guidelines and Installation/Removal Instructions for further details



\*Images above is for illustration purposes only.

## FAN NOT INCLUDED

Fan type is specific to individual customer requirements and needs to be independently sourced.

### Suggested Fan Details

| DIMENSIONS       | PART #       | DISTRIBUTOR | VOLTAGE | THERMAL RESISTANCE |
|------------------|--------------|-------------|---------|--------------------|
| 25 x 25 x 6.9 mm | GM0502PEV1-8 | DIGI-KEY    | 5V      | 3.00 °C/W          |
| 25 x 25 x 10 mm  | GM1202PFV1-8 | DIGI-KEY    | 12V     | 2.91 °C/W          |

### Heat Sink Details

| DIM A | DIM B | DIM C  | DIM D    | DIM E | DIM F | INTERFACE MATERIAL | FINISH       | ATTACHMENT | FAN               |
|-------|-------|--------|----------|-------|-------|--------------------|--------------|------------|-------------------|
| 29 mm | 29 mm | 9.5 mm | 15x15 mm | 20 mm | 20 mm | Chomerics T412     | Blk Anodized | maxiGRIP™  | Customer Supplied |

#### NOTES:

- 1) Fan not included. Fan type is specific to individual customer requirements and needs to be independently sourced.
- 2) Dimension A and B refers to component size.
- 3) Dimension C refers to the heat sink height from bottom of the base to the top of the fin field.
- 4) Dimension D refers to the size of thermal interface material (TIM) applied to heat sink.
- 5) Dimension E and F refers to hole spacing dimensions.
- 6) Thermal data reference only. Actual performance may vary by application.
- 7) ATS reserves the right to update or change its products without notice.
- 8) Optional maxiGRIP™ Installation/Removal Tool Set P/N: MGT290
- 9) Contact ATS to learn about custom options available.



**ATS** ADVANCED THERMAL SOLUTIONS, INC.  
Innovations in Thermal Management®

**For more information, to find a distributor or to place an order, visit [www.qats.com](http://www.qats.com) or call 781.769.2800**