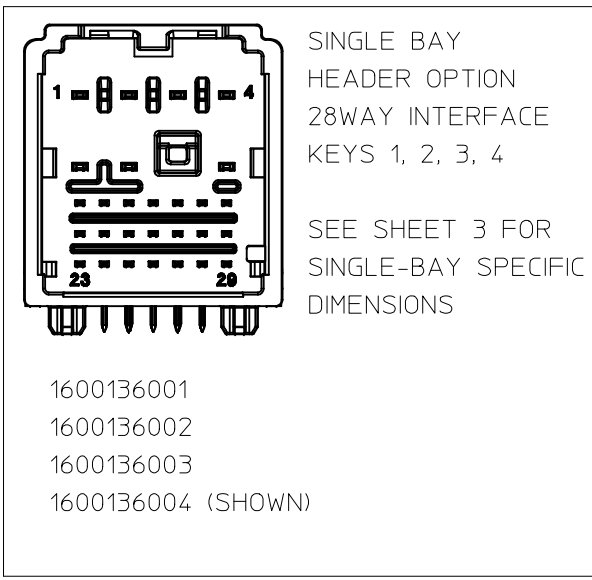
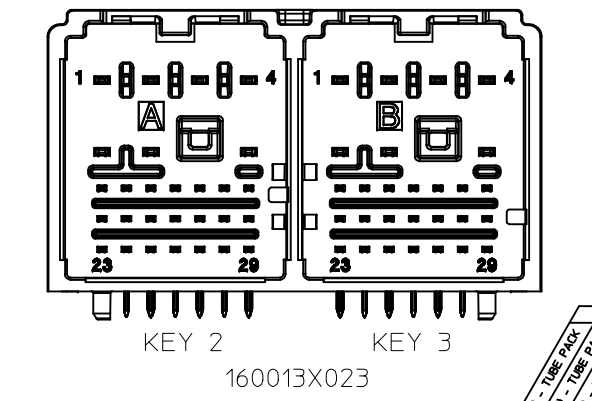


DEPOPULATED  
CIRCUITS #9-22

DEPOPULATED  
CIRCUITS #5,6,8 & #16-22

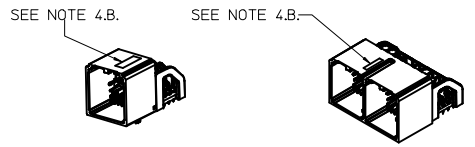


SEE SHEET 3 FOR  
SINGLE-BAY SPECIFIC  
DIMENSIONS

MOLEX ASSEMBLY NO.

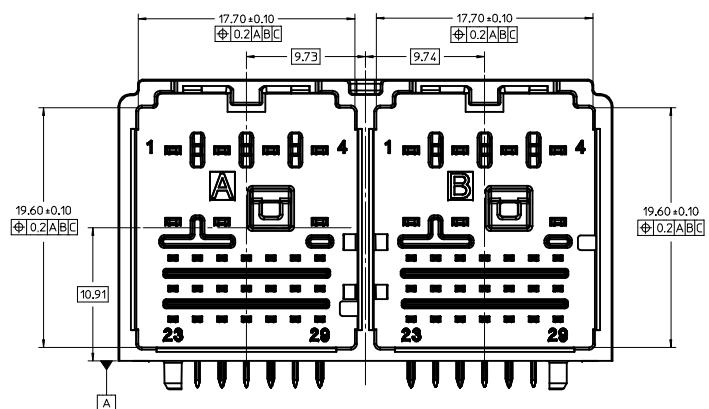
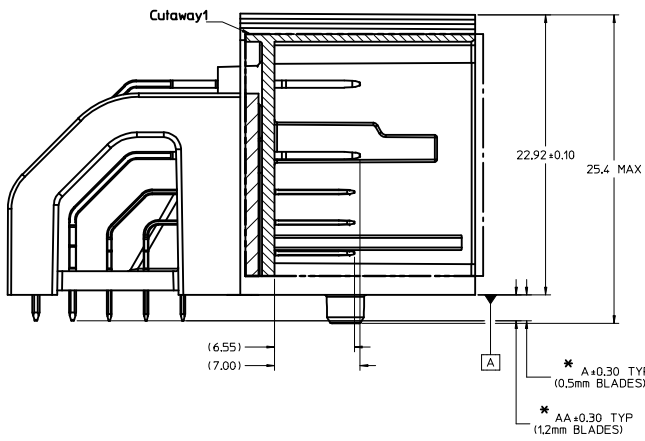
1600136001 (28WAY) - TUBE PACK
1600136002 (28WAY) - TUBE PACK
1600136003 (28WAY) - TRAY PACK
1600136004 (28WAY) - TUBE PACK
1600136001 (28WAY) - TUBE PACK
1600136002 (28WAY) - TUBE PACK
1600136003 (28WAY) - TUBE PACK
1600136004 (28WAY) - TUBE PACK
1600136001 (28WAY) - TUBE PACK
1600136002 (28WAY) - TUBE PACK
1600136003 (28WAY) - TUBE PACK
1600136004 (28WAY) - TRAY PACK

- NOTES: VALID UNLESS OTHERWISE SPECIFIED
- GENERAL:
    - APPLICATION SPECIFICATION SEE: AS-160013-001
    - PRODUCT SPECIFICATION SEE: PS-160013-001
    - PACKAGING SPECIFICATION:
      - TUBE PACKAGING OPTION: MOLEX DRAWING: PK-31302-235
      - TRAY PACKAGING OPTION: MOLEX DRAWING: 160013-9001
  - DESIGN - MATERIALS:
    - SEE BOM TABLE
    - BLADE TERMINALS:
      - 0.5mm Blades
        - Base Material: Copper Alloy
        - Conductivity  $\geq$  28% IACS @ 20°C
        - Underplate: Overall Nickel
        - Overplate: Overall Tin
      - 1.2mm Blades
        - Base Material: Copper Alloy
        - Conductivity  $\geq$  28% IACS @ 20°C
        - Underplate: Overall Nickel
        - Overplate: Overall Tin
  - DESIGN - GEOMETRY:
    - ALL GRAPHIC DATA IS BASIC (NO TOLERANCE) AND MUST BE TAKEN FROM THE DATA FILE AT ITS LATEST REVISION.
    - PRODUCT DESIGN MODEL NUMBER(S): EM-160013-0001 or SEE BOM TABLE
    - GEOMETRIC DIMENSIONS AND TOLERANCES PER ASME Y14.5M-2009
    - EDGES AND UNDIMENSIONED DETAILS PER ISO13715
    - CORNERS SHOWN AS SHARP TO BE R 0.2 MAX.
    - LETTERING SHALL BE MAX POSSIBLE FOR READABILITY. THIS INCLUDES RECYCLING CODE, CAVITY ID, VENDOR IDENTIFICATION, AND CUSTOMER MATERIAL NUMBER.
    - FOR BAY/POCKET DEFINITION SEE MOLEX INTERFACE DRAWING SD-160014-002
    - MATING HARNESS CONNECTORS MOLEX PN: 1600140001 (Key 1)  
1600140002 (Key 2)  
1600140003 (Key 3)  
1600140004 (Key 4)
  - DESIGN - MANUFACTURING:
    - VISUAL DEFECTS SHALL MEET COSMETIC STANDARD PS-45499-002 (Class B)
    - HUMAN READABLE LASER MARKING
      - INFORMATION
        - DDDDY: JULIAN DATE CODE
        - XXXXX: 5 DIGIT SERIAL NO.
      - SIZE
        - HUMAN LEGIBLE
    - PIN MATE SIDE AND PCB SIDE TRUE POSITION TO BE VERIFIED ON-LINE WITH A GO/NO-GO FUNCTIONAL GAGE
    - REFLOW SOLDERABILITY PER SMES-152

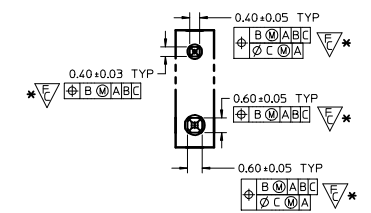
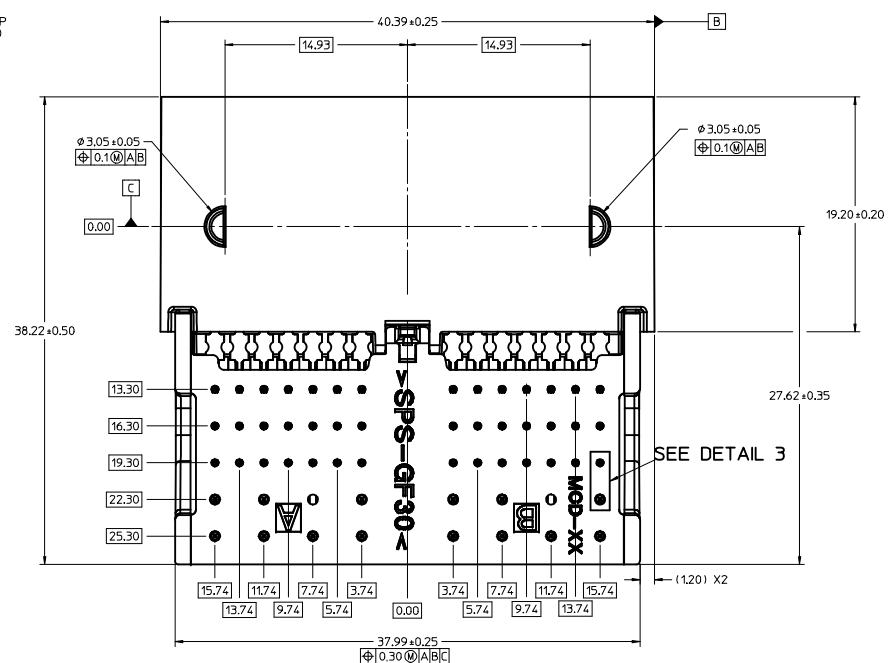
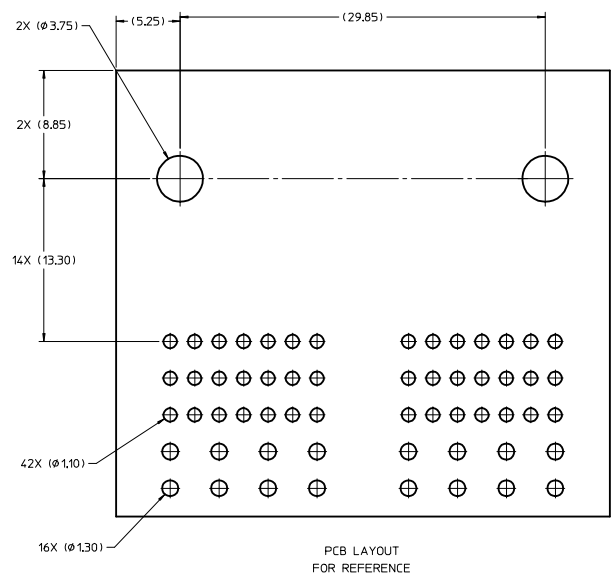


ITEM	MOLEX PART NO.	DESCRIPTION	BAY A KEY	BAY B KEY	LMT	QTY.	QTY.	QTY.	QTY.	QTY.	QTY.	QTY.	QTY.	QTY.
1	1600130500	HEADER SHROUD	KEY 4	KEY 1		1	0	0	1	1	0	0	0	0
2	1600130542	HEADER SHROUD	KEY 4	KEY 2		0	0	0	0	0	0	0	0	0
3	1600130543	HEADER SHROUD	KEY 4	KEY 3		0	0	0	0	0	0	0	0	0
4	1600130521	HEADER SHROUD	KEY 2	KEY 1		0	0	0	0	0	0	0	0	0
5	1600130523	HEADER SHROUD	KEY 2	KEY 3		0	1	0	0	1	0	0	0	1
6	1600130524	HEADER SHROUD	KEY 2	KEY 4		0	0	1	0	0	0	0	0	0
7	1600130551	HEADER SHROUD	KEY 1	---		0	0	0	0	0	1	0	0	0
8	1600130552	HEADER SHROUD	KEY 2	---		0	0	0	0	0	0	1	0	0
9	1600130553	HEADER SHROUD	KEY 3	---		0	0	0	0	0	0	0	1	0
10	1600130554	HEADER SHROUD	KEY 4	---		0	0	0	0	0	0	0	0	1
11	1600130700	PIN ALIGNMENT PLATE	---	---		1	1	1	1	1	0	0	0	1
12	1600130710	PIN ALIGNMENT PLATE	---	---		0	0	0	0	0	1	1	1	1
13	1600130111	1.2MM BLADE - LONG	---	---		8	8	8	8	8	8	8	8	8
14	1600130112	1.2MM BLADE - SHORT	---	---		6	6	6	6	6	6	6	6	6
15	1600130114	1.2MM BLADE - LONG OPTION 2	---	---		8	8	8	8	8	8	8	8	8
16	1600130113	1.2MM BLADE - SHORT OPTION 2	---	---		3	3	3	3	3	3	3	3	3
17	1600130116	1.2MM BLADE - LONG OPTION 3	---	---		8	8	8	8	8	8	8	8	8
18	1600130115	1.2MM BLADE - SHORT OPTION 3	---	---		3	3	3	3	3	3	3	3	3
19	1600130211	0.5MM BLADE - LONG	---	---		14	14	14	14	14	14	14	14	14
20	1600130212	0.5MM BLADE - MEDIUM	---	---		14	14	14	14	14	14	14	14	14
21	1600130213	0.5MM BLADE - SHORT	---	---		14	14	14	14	14	14	14	14	14
22	1600130214	0.5MM BLADE - LONG OPTION 2	---	---		7	7	7	7	7	7	7	7	7
23	1600130215	0.5MM BLADE - MEDIUM OPTION 2	---	---		7	7	7	7	7	7	7	7	7
24	1600130216	0.5MM BLADE - SHORT OPTION 2	---	---		14	14	14	14	14	14	14	14	14

ENTER DESCRIPTION ELEC NO: GCA2017-0062 DRAWN/CONDR CHKD: APPR:KDEKOSKI 2017/02/10 2017/02/10 A10	QUALITY SYMBOLS	GENERAL TOLERANCES (UNLESS SPECIFIED)	DIMENSION STYLE	SCALE	DESIGN UNITS	THIRD ANGLE PROJECTION
	▽=0	4 PLACES ± mm	MM ONLY	5:1	METRIC	☉
	▽=0	3 PLACES ± 0.13				
	▽=0	1 PLACE ± 0.25				
		ANGULAR ± 3°				
		DRAFT WHERE APPLICABLE MUST REMAIN WITHIN DIMENSIONS				
			DRAWN BY DATE			
			JCONDON 2013/12/11			
			CHECKED BY DATE			
			APPROVED BY DATE			
			KDEKOSKI 2014/06/26			
			MATERIAL NO.	DOCUMENT NO.		
			SEE CHART	SD-160013-0001		
			SIZE			
			D THIS DRAWING CONTAINS INFORMATION THAT IS PROPRIETARY TO MOLEX INCORPORATED AND SHOULD NOT BE USED WITHOUT WRITTEN PERMISSION			
						SHEET NO. 1 OF 3

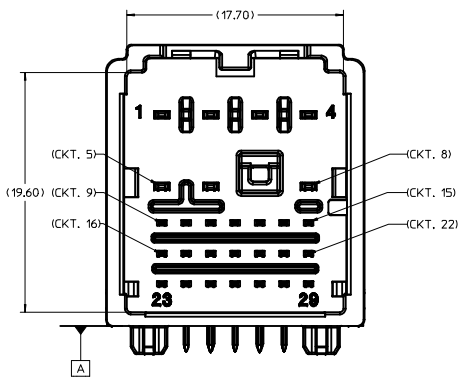
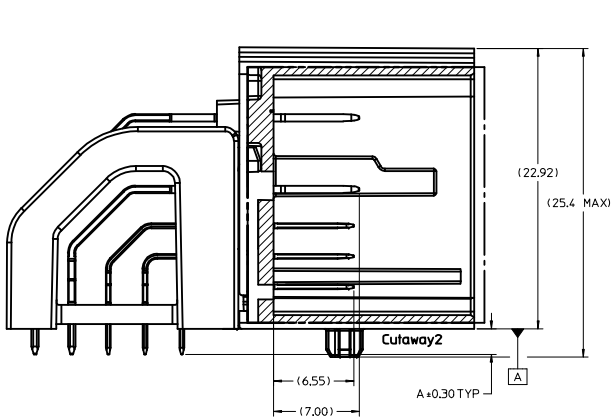


HEADER ASSEMBLY OPTIONS				
PART NUMBER	DIM A *	DIM AA*	DIM B *	DIM C *
1600130041	2.1	2.1	0.40	0.37
1600132041	2.1	2.1	0.40	0.37
1600130023	2.1	2.1	0.40	0.37
1600132023	2.1	2.1	0.40	0.37
1600131024	2.5	2.5	0.53	0.50
1600133041	2.5	2.5	0.53	0.50
1600133023	2.5	2.5	0.53	0.50
160013600X	2.5	2.5	0.53	0.50
1600134023	2.5	3.0	0.68	0.65

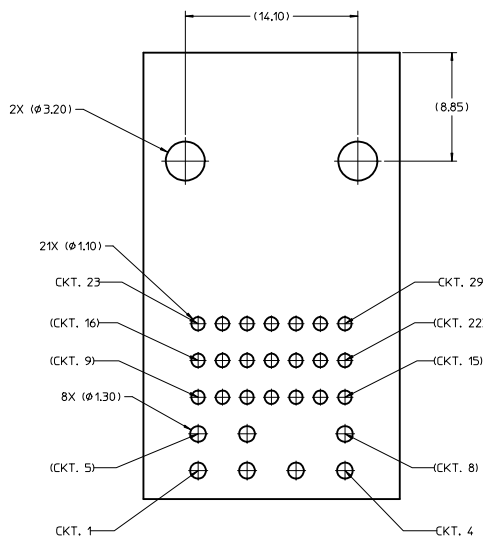


DETAIL 3  
SCALE 10:1

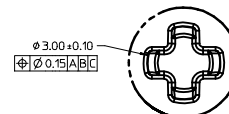
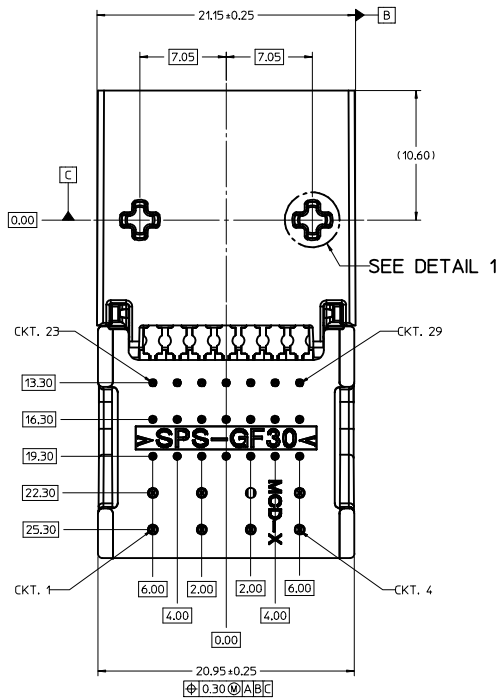
<b>ENTER DESCRIPTION</b> ELEC NO: GCA2017-0062 DRAWN: CONDON CHKD: APPR: KOSKSI DATE: 2017/02/06 REV: A10	<b>QUALITY SYMBOLS</b> ∇=0 ∇=4 ∇=0	<b>GENERAL TOLERANCES (UNLESS SPECIFIED)</b>		DIMENSION STYLE <b>MM ONLY</b>	SCALE <b>5:1</b>	DESIGN UNITS <b>METRIC</b>	THIRD ANGLE PROJECTION	
		4 PLACES ± --- ± --- mm INCH 3 PLACES ± --- ± --- mm INCH 2 PLACES ± 0.13 ± --- mm INCH 1 PLACE ± 0.25 ± --- mm INCH 0 PLACE ± --- ± --- mm INCH	APPROVED BY KDEKOSKI	DATE 2014/06/26	MATERIAL NO. <b>SEE SHEET 1</b>	DOCUMENT NO. SD-160013-0001	SHEET NO. 2 OF 3	
		ANGLULAR ± 3°		DRAFT WHERE APPLICABLE MUST REMAIN WITHIN DIMENSIONS		TITLE <b>INFOTAINMENT HDR ASSY STAK50H SYSTEM</b>		
		THIS DRAWING CONTAINS INFORMATION THAT IS PROPRIETARY TO MOLEX INCORPORATED AND SHOULD NOT BE USED WITHOUT WRITTEN PERMISSION						



28WAY HEADER ONLY



PCB LAYOUT FOR REFERENCE ONLY



2X DETAIL 1  
SCALE 10:1

<b>ENTER DESCRIPTION</b> EC NO: GCA2017-0062 DRAWN: CONDON 2017/02/06 CHKD: APPR: KDEKOSKI 2017/02/10 REV:	QUALITY SYMBOLS ▽=0 ▽=0 ▽=0	GENERAL TOLERANCES (UNLESS SPECIFIED) <table border="1"> <thead> <tr> <th></th> <th>mm</th> <th>INCH</th> </tr> </thead> <tbody> <tr> <td>4 PLACES</td> <td>±---</td> <td>±---</td> </tr> <tr> <td>3 PLACES</td> <td>±---</td> <td>±---</td> </tr> <tr> <td>2 PLACES</td> <td>±0.13</td> <td>±---</td> </tr> <tr> <td>1 PLACE</td> <td>±0.25</td> <td>±---</td> </tr> <tr> <td>0 PLACE</td> <td>±---</td> <td>±---</td> </tr> </tbody> </table> ANGULAR ± 3° DRAFT WHERE APPLICABLE MUST REMAIN WITHIN DIMENSIONS		mm	INCH	4 PLACES	±---	±---	3 PLACES	±---	±---	2 PLACES	±0.13	±---	1 PLACE	±0.25	±---	0 PLACE	±---	±---	DIMENSION STYLE <b>MM ONLY</b>	SCALE <b>5:1</b>	DESIGN UNITS <b>METRIC</b>	THIRD ANGLE PROJECTION
		mm	INCH																					
	4 PLACES	±---	±---																					
	3 PLACES	±---	±---																					
2 PLACES	±0.13	±---																						
1 PLACE	±0.25	±---																						
0 PLACE	±---	±---																						
DRAWN BY JCONDON	DATE 2013/12/11	TITLE <b>INFOTAINMENT HDR ASSY STAK50H SYSTEM</b>																						
APPROVED BY KDEKOSKI	DATE 2014/06/26	MATERIAL NO. <b>999999999</b>	DOCUMENT NO. <b>SD-160013-0001</b>	SHEET NO. <b>3 OF 3</b>																				
SIZE <b>D</b>	THIS DRAWING CONTAINS INFORMATION THAT IS PROPRIETARY TO MOLEX INCORPORATED AND SHOULD NOT BE USED WITHOUT WRITTEN PERMISSION																							