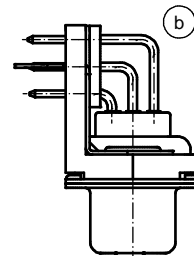
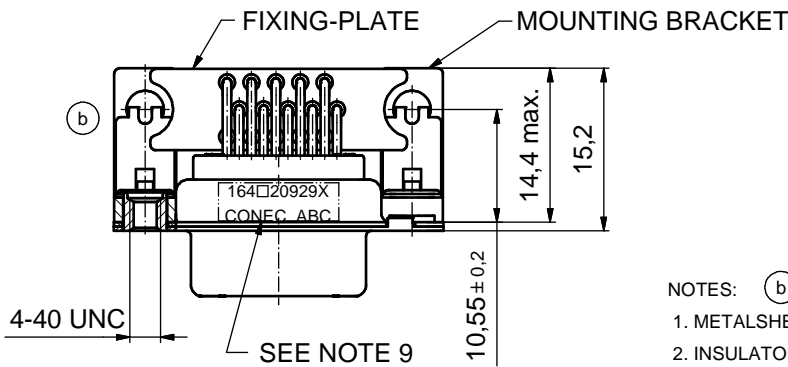
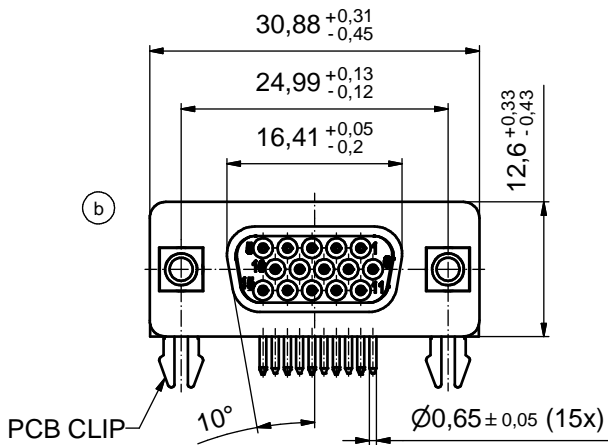
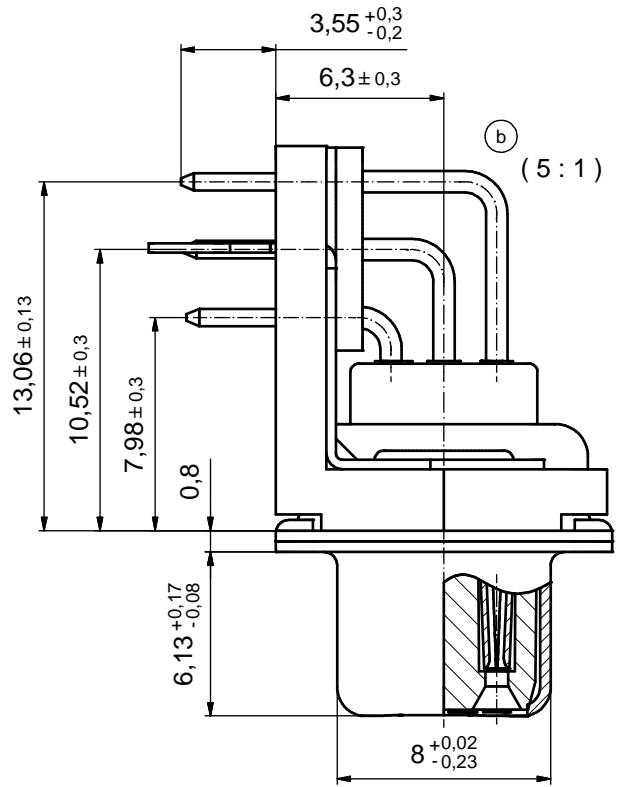
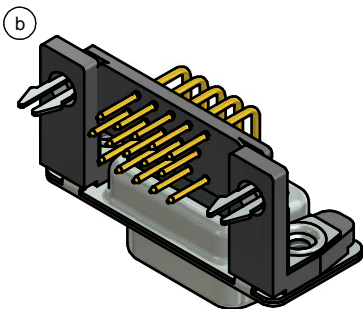


P.C.B. HOLE DRILLINGS
(P.C.B. TOP SIDE)



NOTES:

1. METALSHELLS: STEEL; min. 315µin TIN over 40-80µin NICKEL
2. INSULATORS: PBT GF UL 94 V-0; Black
3. CONTACTS: COPPER ALLOY; PLATING (SEE PART NO.):
 - PLEASE ADD A for GOLD FLASH over NICKEL (PREFERRED TYPE)
 - PLEASE ADD B for 20µin HARD GOLD over min. 50µin NICKEL
 - PLEASE ADD C for 30µin HARD GOLD over min. 50µin NICKEL
 CONTACTS TAILS PRETINNED
4. MOUNTING BRACKETS: PBT GF UL 94 V-0; Black
5. THREADED INSERTS: COPPER ALLOY; min. 200µin TIN over 80µin NICKEL
6. GROUNDING CLIPS: COPPER ALLOY; min. 200µin TIN over 80µin NICKEL
PCB-HOLE: Ø3,1±0,1mm; PCB-THICKNESS: 1,6mm
7. FIXING-PLATE: PBT GF UL 94 V-0; Black
8. MAXIMUM TORQUE VALUE FOR THREAD: 6 in.LB
9. CONNECTOR IS PART MARKED: **164□20929X CONEC ABC** (see note 3)



Directive 2002/95/EC RoHS compliant

THIS DRAWING MAY NOT BE COPIED OR REPRODUCED IN ANY WAY, AND MAY NOT BE PASSED ON TO A THIRD PARTY WITHOUT WRITTEN PERMISSION. OWNERSHIP AND COPYRIGHT OF CONEC GmbH				tolerance		dim. in mm	scale: 2:1 (5:1)	
				date			material: see notes	
8 x b		Ä5220	23.05.2014	Heinrich	title: D-SUB HD FEMALE 90° 15pos. solder pin angled 0.350inch threaded insert, mounting bracket, fixing plate, grounding clip			
a		Original						
rev.		description	date	name	norm		dwg no:	
					d-old		16K1A1852	
					CONEC		part no: 16K1A3461 (b)	
							part no: (b) 164□20929X (see note 3)	