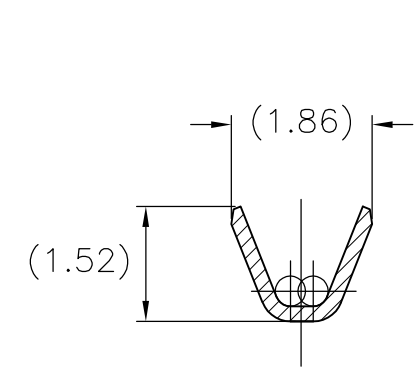
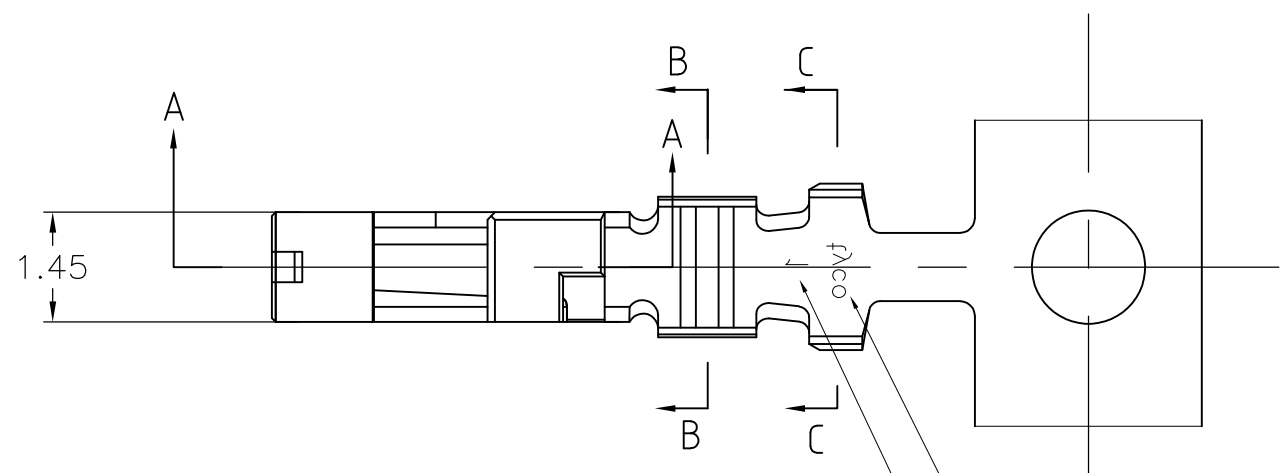
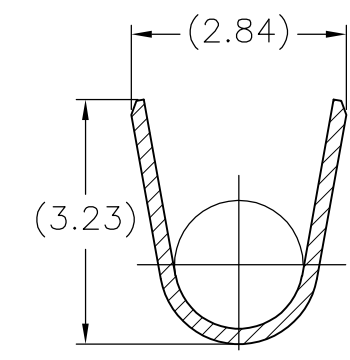


THIS DRAWING IS UNPUBLISHED. RELEASED FOR PUBLICATION
 © COPYRIGHT - By - ALL RIGHTS RESERVED.

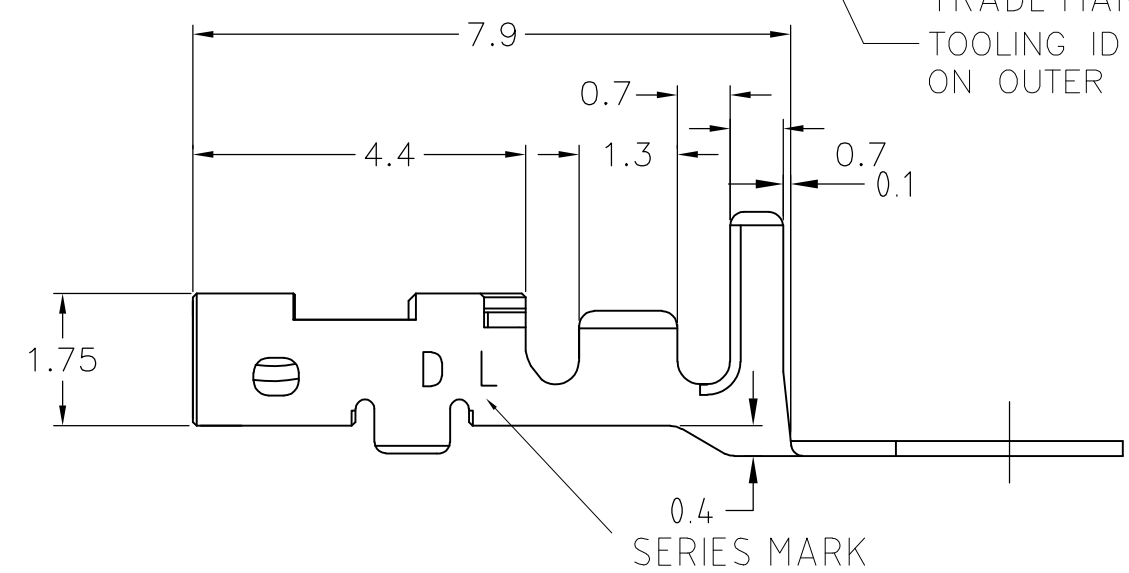
LOC	DIST	REVISIONS					
		P	LTR	DESCRIPTION	DATE	DWN	APVD
J	-	F		REVISED PER ECR-15-011723	08AUG2015	Y.O	E.T



断面 B-B SECT.

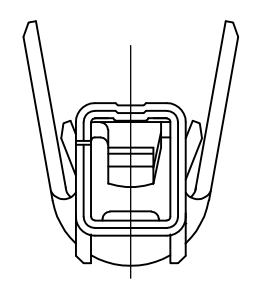


断面 C-C SECT.

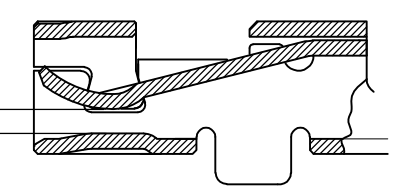


NOTE

1. Application REC-HSG is applied to the product of 2.5mm PITCH or more of DYNAMIC D1000SERIES. 2.0mmPITCH cannot be used



0.5tタブにかん合
MATE WITH 0.5t TAB



断面 A-A SECT.

AWG#28~#22 0.08~0.38mm ²	φ1.08~φ1.9	COPPER ALLOY, FINISH: CONTACT AREA Au 0.38μm MIN, OVER Ni 1.27μm MIN 材料: 銅合金, 下地: Niめっき 1.27μm以上, 接点部: 金めっき 0.38μm以上	1827571-2
WIRE RANGE 导体断面積	INSULATION DIA 被覆外径	MATERIAL 材料	PART No. 型番
THIS DRAWING IS A CONTROLLED DOCUMENT.		DWN T.KUDO 04MAR2005	TE Connectivity
		CHK D.MITSUGI 04MAR2005	
DIMENSIONS: 単位: 耗 mm TOLERANCES UNLESS OTHERWISE SPECIFIED: 一般公差 0 PLQ ± 0.3 1 PLC ± 2 PLC ± 3 PLC ± 4 PLG ± ANGLES ± 3deg		APVD D.MITSUGI 04MAR2005	NAME 名称
		PRODUCT SPEC 製品規格 108-78268	DYNAMIC D1000 SERIES REC CONTACT L TYPE REEL
MATERIAL 材料		FINISH 仕上	RESTRICTED TO
		APPLICATION SPEC 取付適用規格 114-5377	SIZE A3
		WEIGHT -	CAGE CODE 00779
		DRAWING NO 番号 C-1827571	
CUSTOMER DRAWING		SCALE 尺度 10:1	SHEET 1 OF 1
		REV F	