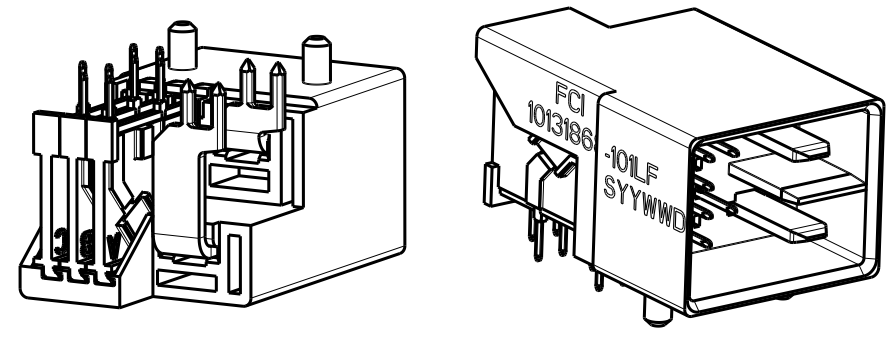
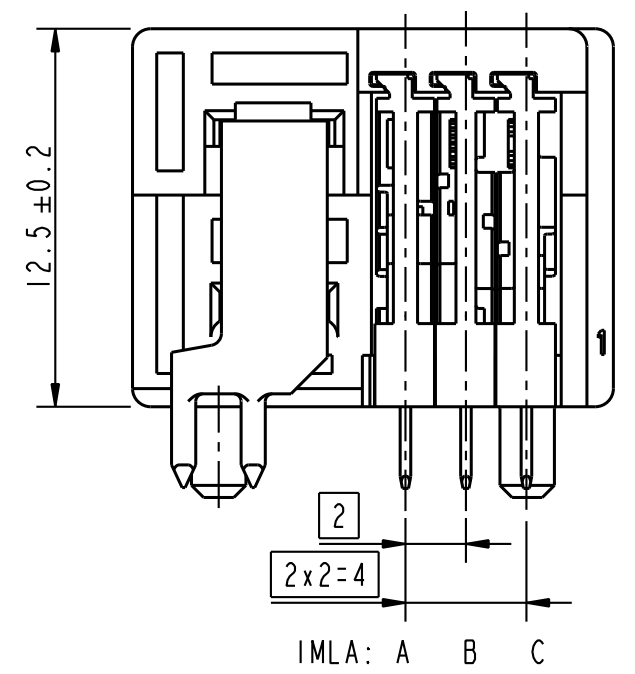
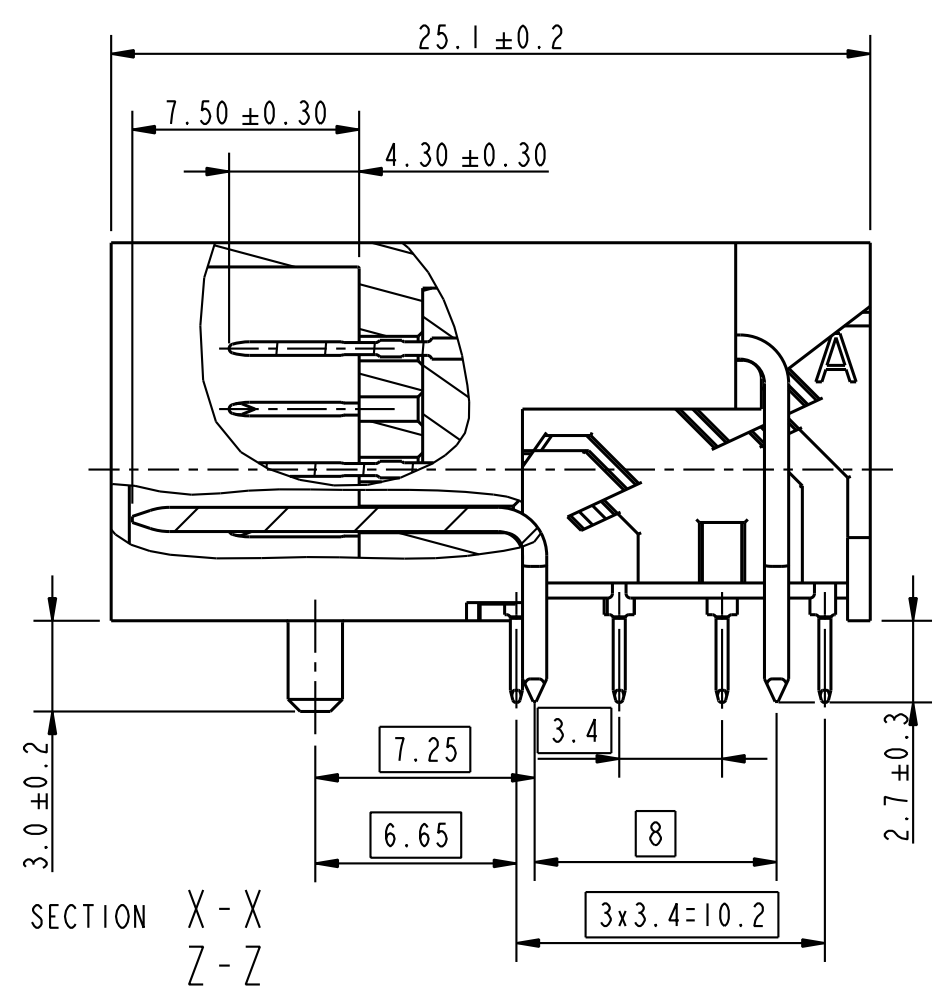
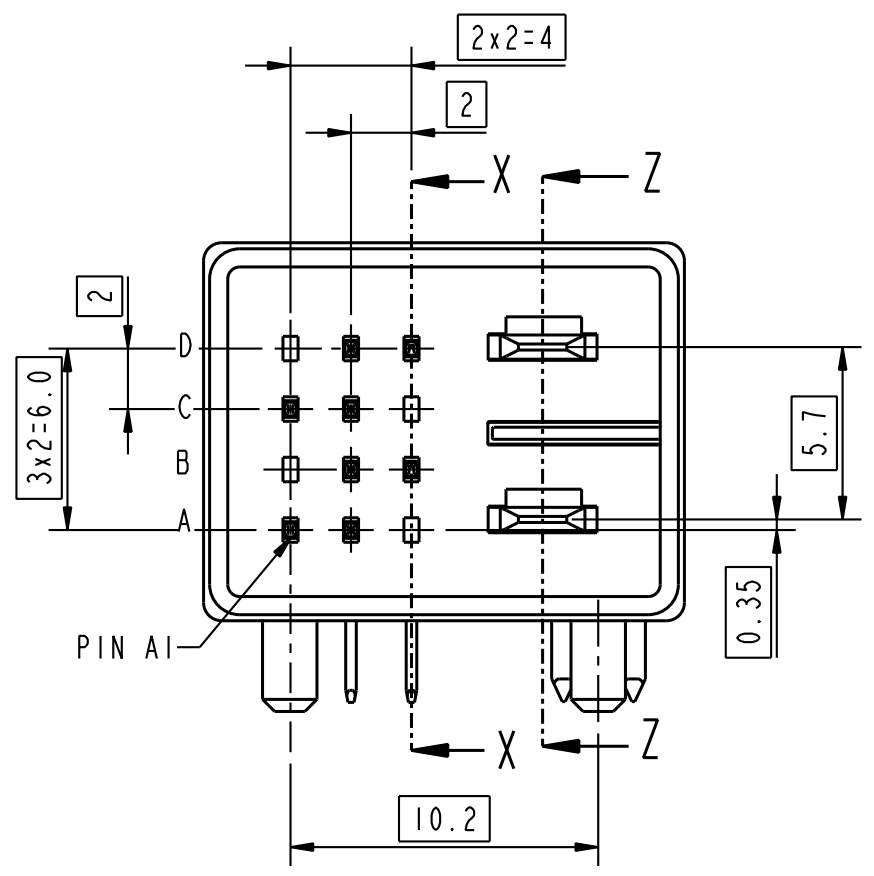
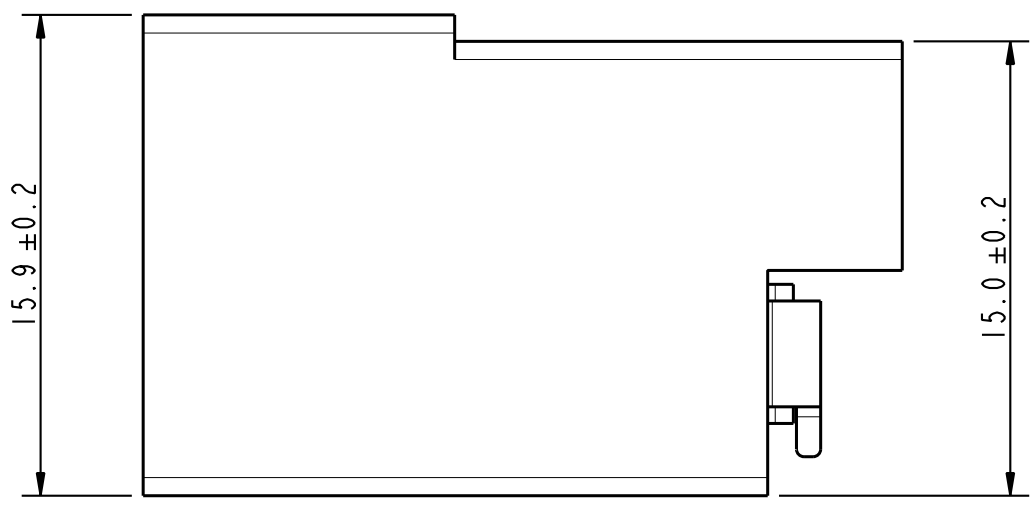


PRODUCT NUMBER
10131868-101LF

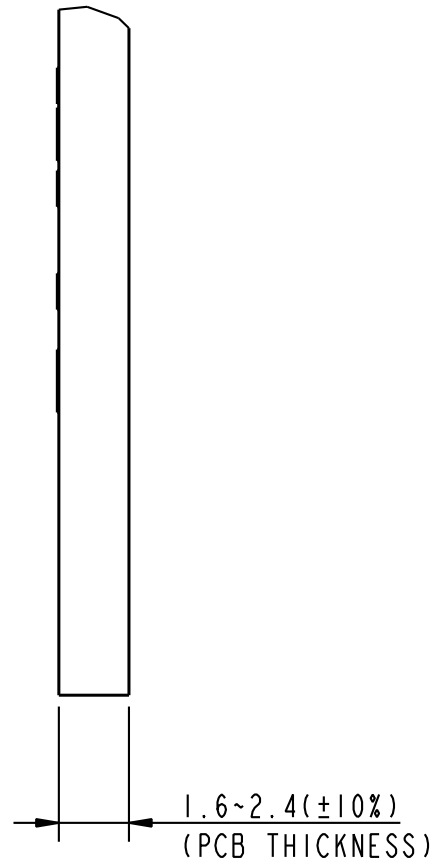
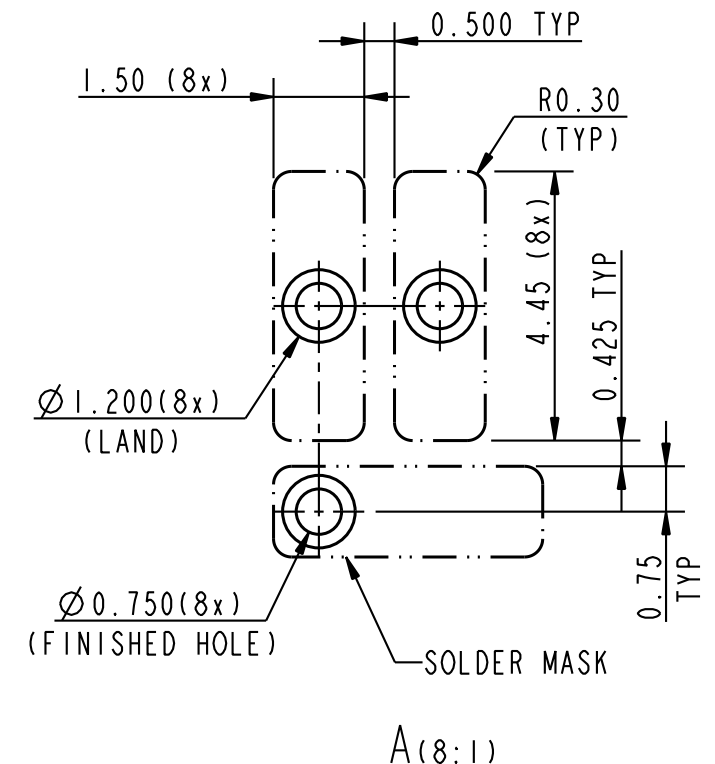
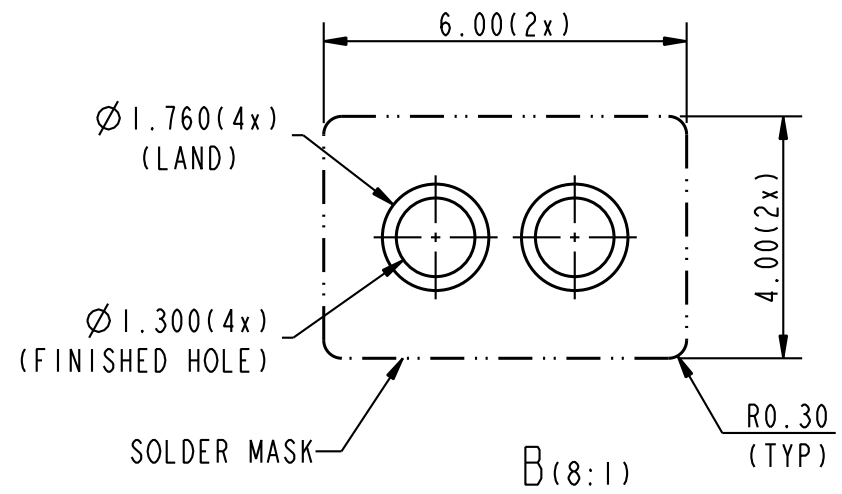
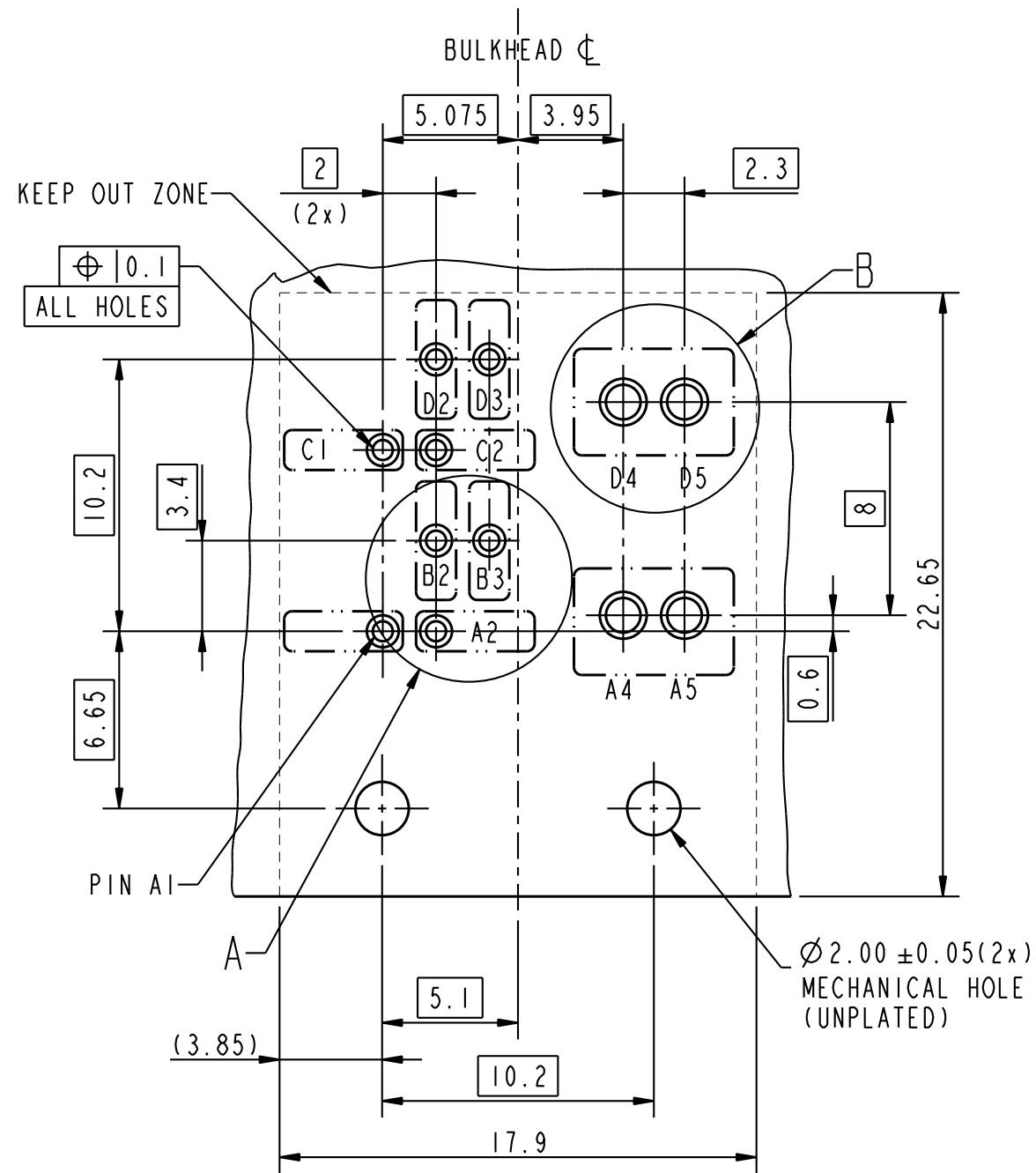


spec ref	-	dr	S ALOSIOUS	2015/09/23	projection	mm	size	A3	scale	2:1
tolerance std	ISO 406 ISO 1101	eng	S ALOSIOUS	2016/02/23			ecn no	ELX-22463-4	rel level	Released
TOLERANCES UNLESS OTHERWISE SPECIFIED		chr	-	-						
surface	linear	appr	K-PAUL BIJU	2016/02/24	product family	METRAL HDXS	10131868-101		rev	B
ISO 1302	angular	Amphenol FCI		title HYBRID SIGNAL&POWER OCTIS RA BOARD CONNECTOR 8 SIG 2 PWR PIP TERMINATION		cat. no. -		Product - Customer Drw		sheet 1 of 4

Amphenol
FCi

© 2016 AFCI

VIEW FROM COMPONENT SIDE



NOTES:

- MATERIAL :
- RESIN - LCP, GLASS FILLED, FLAME RETARDANT ACC
- FLAMMABILITY CLASIFICATION - UL94-V0
- SIGNAL & POWER CONTACTS - COPPER ALLOY
- PLATING :
- GOLD OVER PALLADIUM NICKEL ON CONTACT AREA OF SIGNALS
- PURE TIN AT TERMINAL AREA OF SIGNALS
- PURE TIN ON POWER CONTACTS
- PRODUCT SPECIFICATION: GS-12-1334
- APPLICATION SPECIFICATION: GS-20-0454
- PACKAGING - TAPE & REEL
PACKAGING SPECIFICATION: GS-XX-XXX
- UNDER PLATING FOR CONTACTS IS 1.27µm NICKEL.
- PRODUCT WILL WITHSTAND EXPOSURE TO 260° FOR 60 SECONDS IN A CONVECTION, INFRA RED OR VAPOUR PHASE REFLOW OVEN
- PRODUCT WHERE THE PARTNUMBER ENDS IN LF MEETS EUROPEAN DIRECTIVES AND OTHER COUNTRY REGULATIONS AS DESCRIBED IN GS-47-0004.

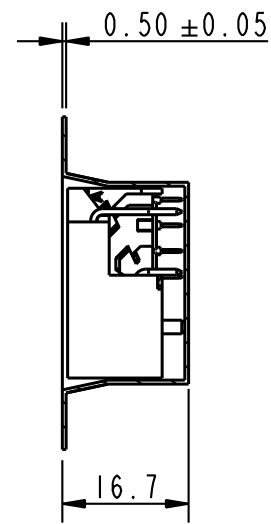
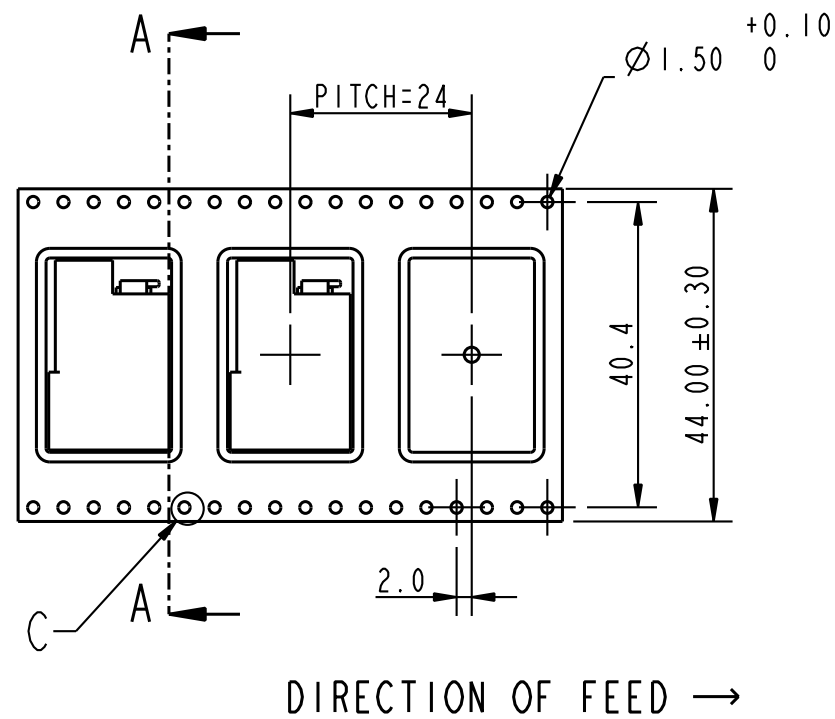
Amphenol FCI

© 2016 AFCI

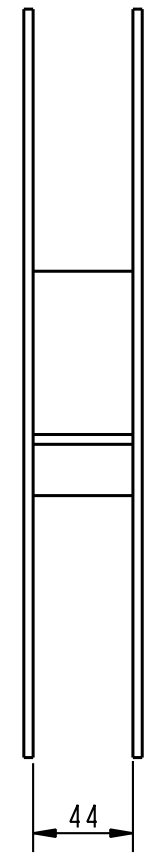
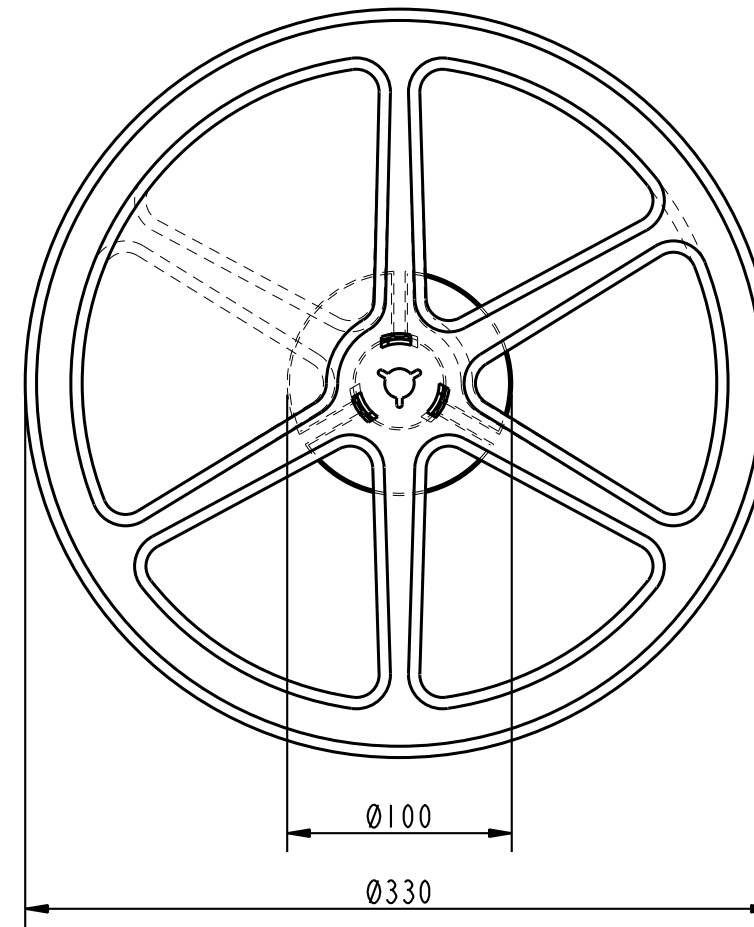
	SIGNAL PTH DETAILS	POWER PTH DETAILS
DRILLED HOLE	0.82-0.87mm	1.37-1.42mm
COPPER PLATING	25-50µm	25-50µm
TIN PLATING	0.8-1.2µm	0.8-1.2µm
FINISHED HOLE DIA	0.70-0.80mm	1.25-1.35mm

spec ref	-	dr	S ALOSIUS	2015/09/23	projection	mm	size	A3	scale	2:1
tolerance std	ISO 406 ISO 1101	eng	S ALOSIUS	2016/02/23			ecn no	ELX-22463-4	rel level	Released
TOLERANCES UNLESS OTHERWISE SPECIFIED		chr	-	apppr						
surface	ISO 1302	linear	0.X	±0.3	Amphenol FCI	title HYBRID SIGNAL&POWER OCTIS RA BOARD CONNECTOR 8 SIG 2 PWR PIP TERMINATION	dwg no 10131868-101	rev B	cat. no. -	Product - Customer Drw
			0.XX	±0.10						
		angular	0°	±2°						
sheet 2 of 4										

PACKAGING SPECIFICATION



SECTION A-A

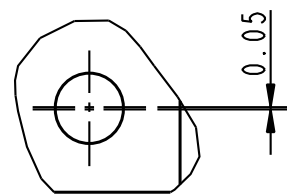


DIRECTION OF FEED →

TAPE & REEL PACKING DETAILS

NOTES:

- CONNECTORS PACKED PER REEL : 150 PIECES
- PACKAGING DETAILS AS PER EIA-481 STD.
- PACKING SHOULD BE ANTISTATIC.
- MATERIAL :
CARRIER TAPE : POLYSTYRENE
COVER TAPE : POLYSTYRENE

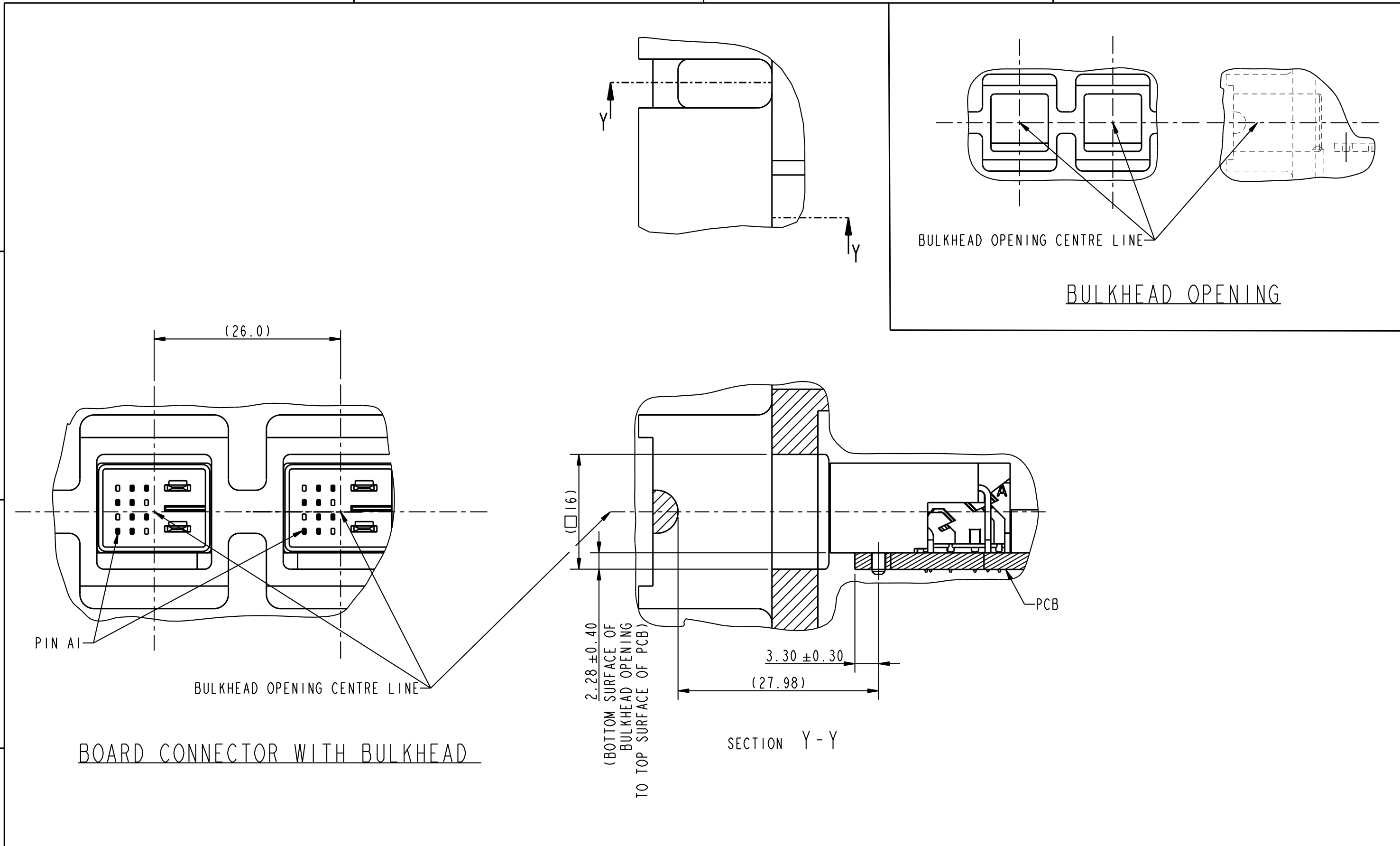


C (6:1)

spec ref -		dr	S ALOSIOUS	2015/09/23	projection	mm	size	A3	scale	1:1
tolerance std		eng	S ALOSIOUS	2016/02/23			ecn no	ELX-22463-4	rel level	Released
ISO 406 ISO 1101		chr	-	-						
TOLERANCES UNLESS OTHERWISE SPECIFIED		appr	K-PAUL BIJU	2016/02/24	product family					
surface	linear	0.X	±0.3	Amphenol FCI	title HYBRID SIGNAL&POWER OCTIS RA BOARD CONNECTOR 8 SIG 2 PWR PIP TERMINATION		dwg no 10131868-101	rev B		
		0.XX	±0.10							
		0.XXX	±0.050							
ISO 1302	angular	0°	±2°	cat. no.	-	Product - Customer Drw		sheet 3 of 4		

Amphenol
FCi

© 2016 AFCI



BOARD CONNECTOR WITH BULKHEAD

(16)
2.28 ± 0.40
(BOTTOM SURFACE OF
BULKHEAD OPENING
TO TOP SURFACE OF PCB)

SECTION Y-Y

spec ref -		dr	S ALOSUIS	2015/09/23	projection	mm	size	A3	scale	1:2		
tolerance std		TOLERANCES UNLESS OTHERWISE SPECIFIED			eng	S ALOSUIS	2016/02/23	ecn no		ELX-22463-4		
ISO 406					chr	-	rel level		Released			
ISO 1101					appr	K-PAUL BIJU	2016/02/24	product family		METRAL HDXS		
surface	linear	0.X	±0.3		Amphenol FCi	title	HYBRID SIGNAL&POWER OCTIS RA BOARD CONNECTOR		dwg no	10131868-101	rev	B
		0.XX	±0.10									
		0.XXX	±0.050									
ISO 1302	angular	0°	±2°		cat. no.	-	Product - Customer Drw		sheet 4 of 4			