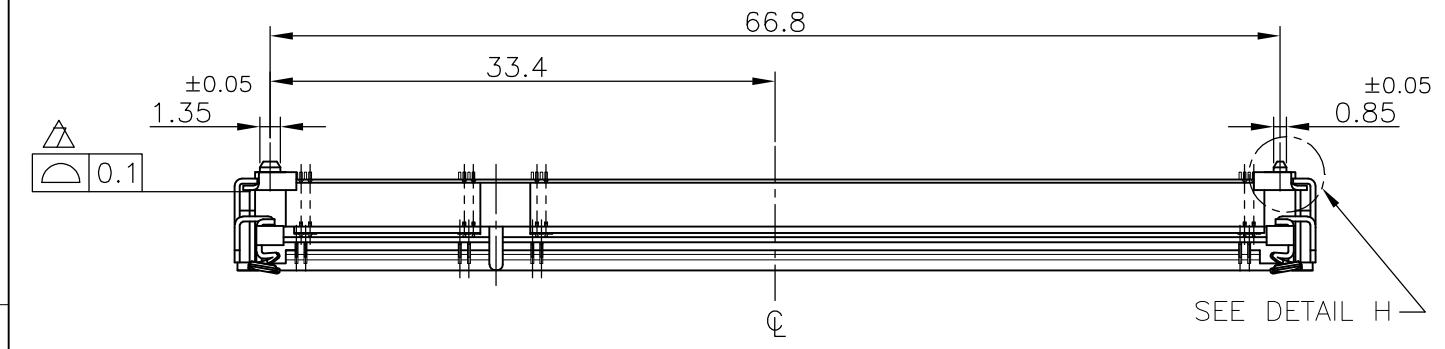
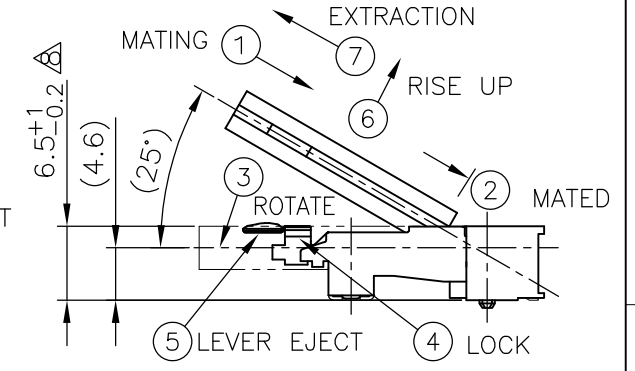
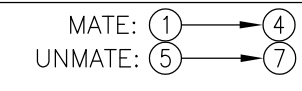


THIS DRAWING IS UNPUBLISHED. RELEASED FOR PUBLICATION
 © COPYRIGHT BY TYCO ELECTRONICS CORPORATION. ALL RIGHTS RESERVED.

LOC	DIST	REVISIONS				
		P	LTR	DESCRIPTION	DATE	DWN
J		D1	ECR-10-014882	19JUL10	B.W	S.Y



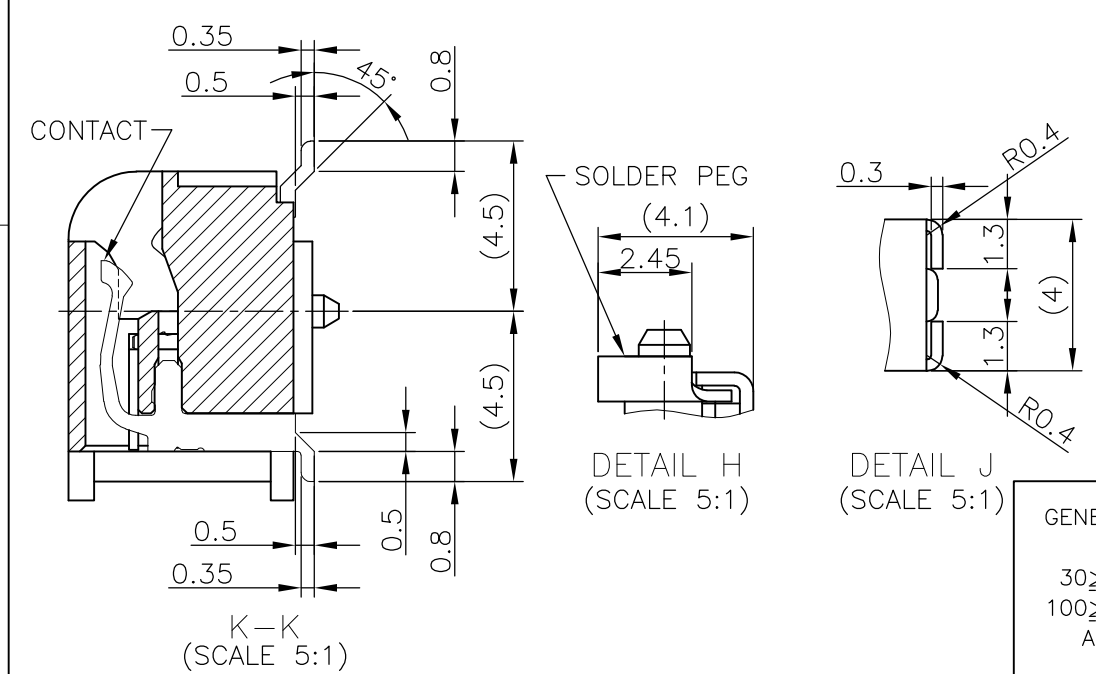
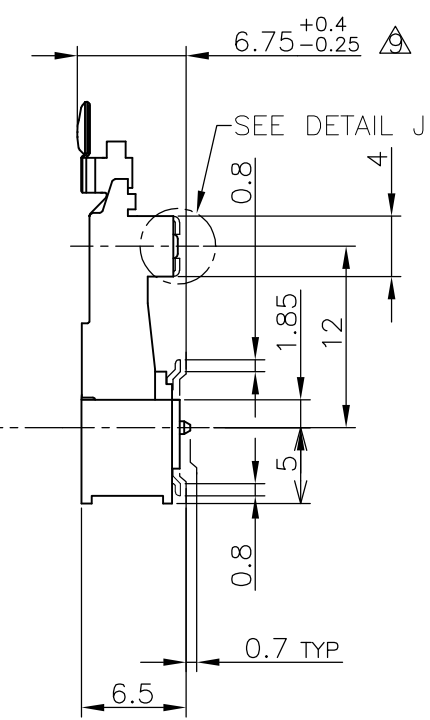
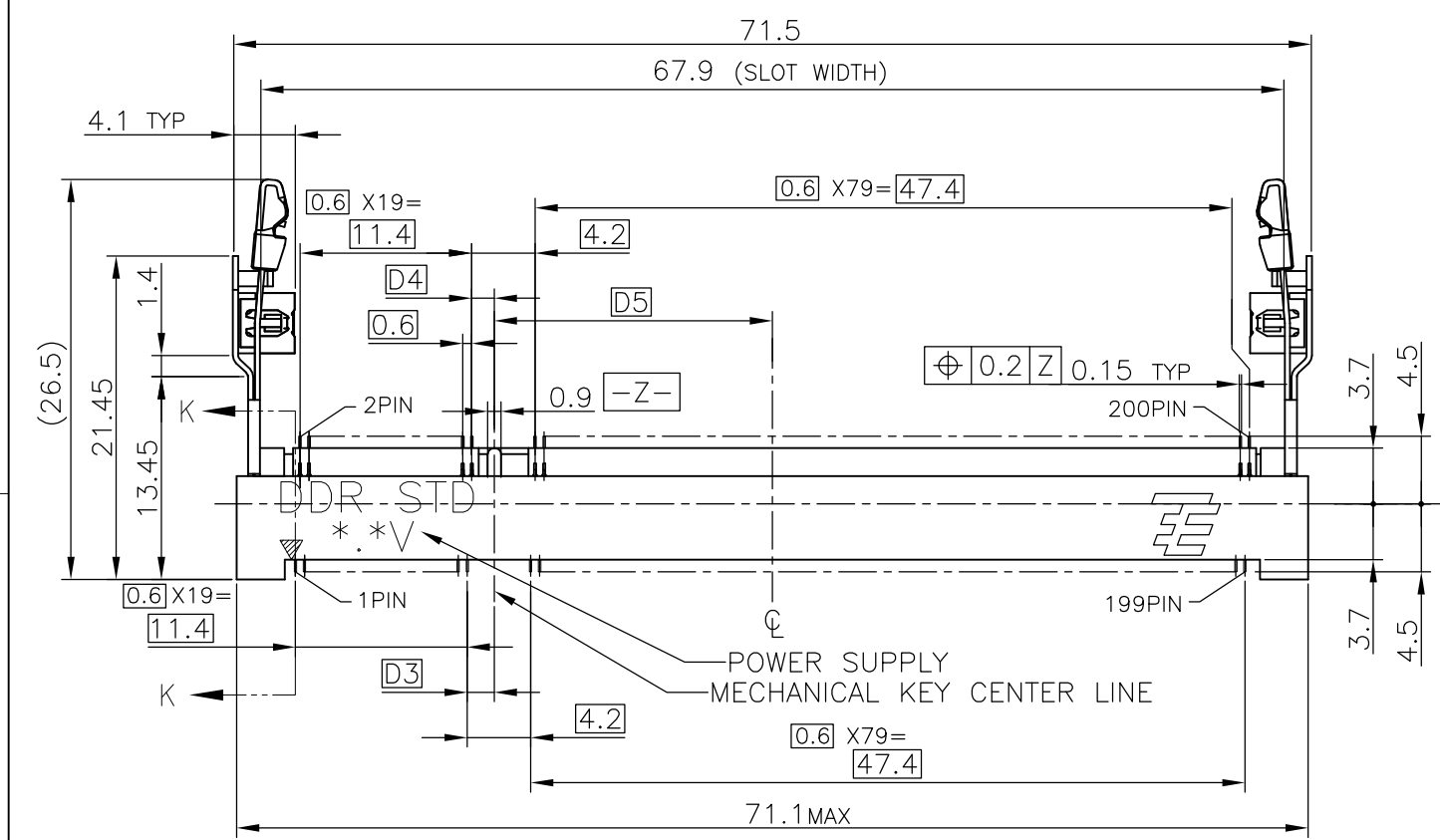
HOW TO MATE AND UNMATE



(APPLIED TO SHEET 1-2)

- MATERIAL ; HOUSING: HIGH TEMPERATURE THERMO PLASTIC UL94V-0
 CONTACT: COPPER ARROY
 LOCK LEVER: STAINLESS STEEL
 SOLDER PEG: COPPER ARROY
- FINISH ; CONTACT AREA: GOLD FLASH ON 0.0013MIN ALL OVER NICKEL.
 SOLDERING AREA: GOLD FLASH PLATING.
 SOLDER PEG: TIN PLATING.

- MECHANICAL KEY POSITION OF CONNECTOR SEE TABLE.
- TOLERANCES NON-CUMULATIVE.
- NOT TO SCALE.
- INSIDE MUST BE RESIST COAT EXCEPT SOLDER PATTERN.
- COPLANARITY : 0.1 MAX.
- THE FLOATING VALUE BY SOLDERING IS NOT INCLUDED.
- NOT MATING CONDITION.
- IF THE MODULE DOESN'T INSERT AND LOCK IN THE LATCH SMOOTHLY, OPEN WIDE BOTH LATCHES BY MANUAL. AND THE MODULE MUST BE INSERTED AND LOCKED IN THE LATCH.



EMBOSS	AVAILABLE	GRAY	1.8V (DDR2)	17.55	2.4	2.7	200	6-1746530-4
TRAY	AVAILABLE	GRAY	1.8V (DDR2)	17.55	2.4	2.7	200	5-1746530-4
-	NOT AVAILABLE	BLACK	1.8V (DDR2)	17.55	2.4	2.7	200	-
-	NOT AVAILABLE	GRAY	2.5V (DDR1)	18.45	1.5	1.8	200	-
-	NOT AVAILABLE	BLACK	2.5V (DDR1)	18.45	1.5	1.8	200	-
PACKAGE	TOOLING STATUS	HOUSING COLOR	POWER SUPPLY	D5	D4	D3	POS	PART NO.

GENERAL TOLERANCE
 10 ≥ : ±0.2
 30 ≥ > 10 : ±0.25
 100 ≥ > 30 : ±0.3
 ANGLES : ±3°

THIS DRAWING IS A CONTROLLED DOCUMENT.

DIMENSIONS: MM

TOLERANCES UNLESS OTHERWISE SPECIFIED:

0 PLC	±
1 PLC	±
2 PLC	±
3 PLC	±
4 PLC	±
ANGLES	±
FINISH	±

MATERIAL

DWN T. FUMIKURA 11MAY04
 CHK T. KUSUHARA 11MAY04
 APVD H. MURAMATSU 11MAY04

Tyco Electronics Tyco Electronics AMP K.K. Kawasaki, Japan

NAME: DDR1 & DDR2 SODIMM SOCKET
 0.6mm PITCH 200POS
 6.5 HEIGHT STANDARD TYPE

108-5701

APPLICATION SPEC

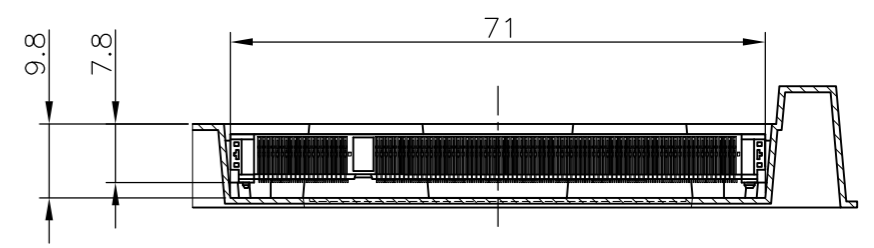
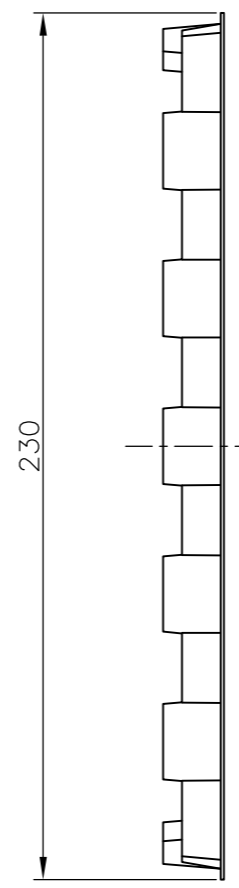
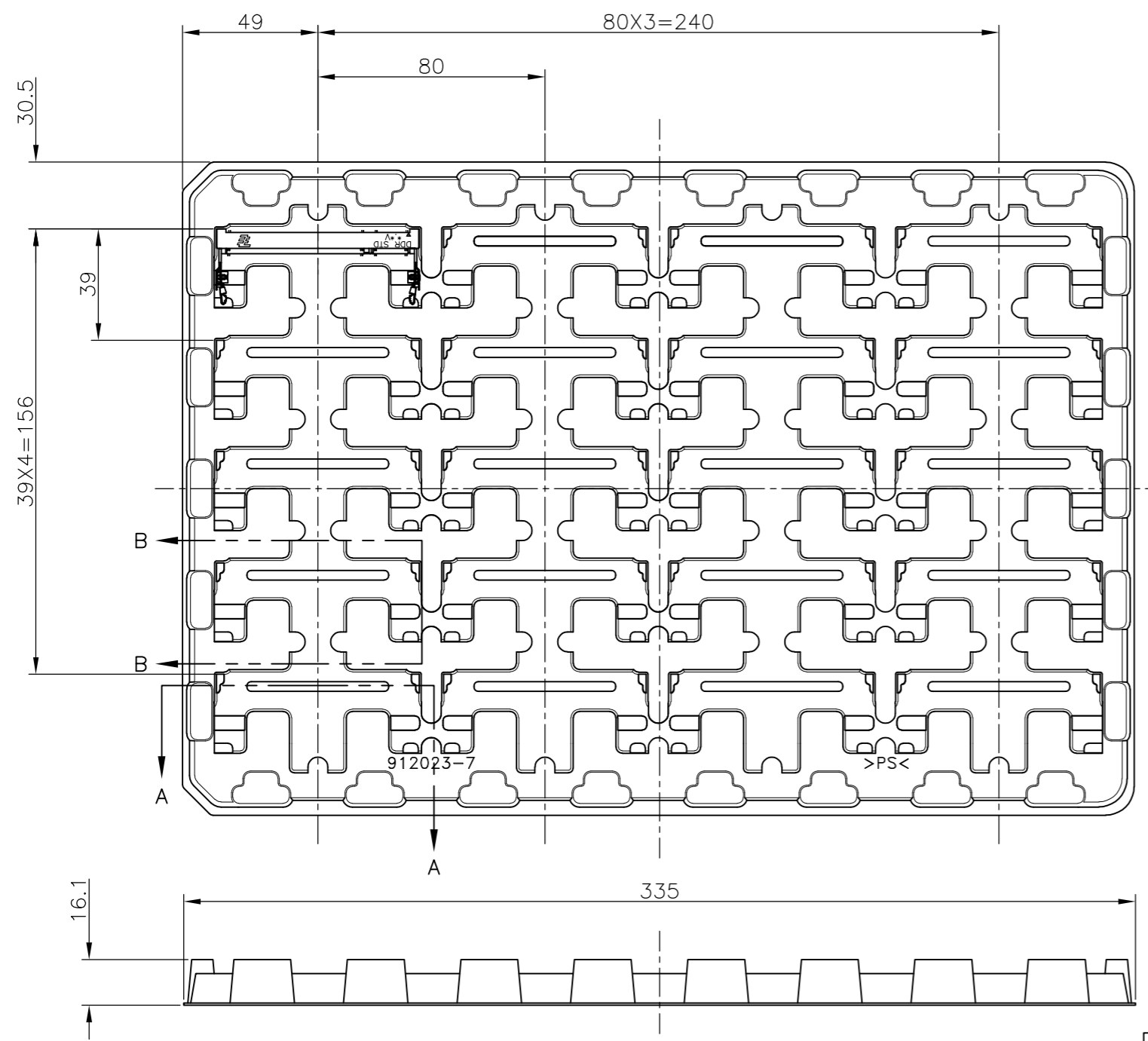
WEIGHT 5.7g

SIZE A3 CAGE CODE 00779 DRAWING NO. C-1746530 RESTRICTED TO

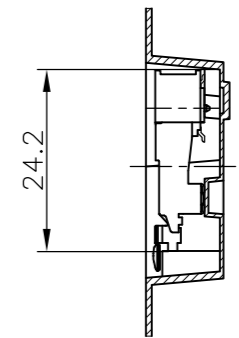
CUSTOMER DRAWING SCALE 2:1 SHEET 1 OF 5 REV D1

THIS DRAWING IS UNPUBLISHED. RELEASED FOR PUBLICATION
 © COPYRIGHT BY TYCO ELECTRONICS CORPORATION. ALL RIGHTS RESERVED.

LOC	DIST	REVISIONS			
P	LTR	DESCRIPTION	DATE	DWN	APVD
J		SEE SHEET 1	-	-	-



A-A
SCALE 1:1
(180DEG. ROTATE)



B-B
SCALE 1:1

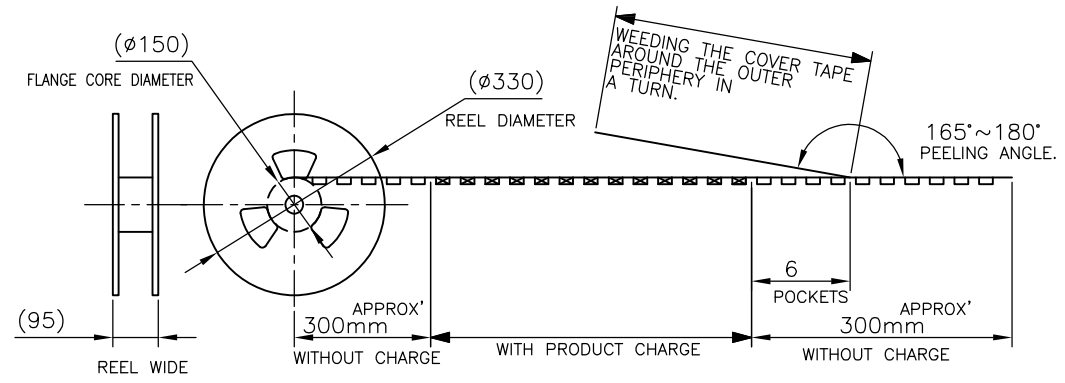
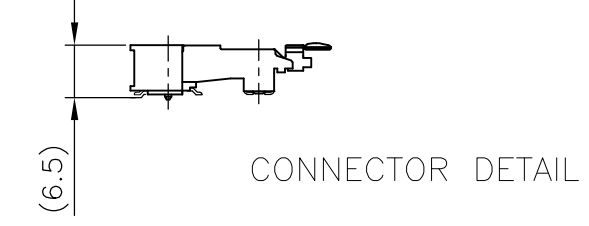
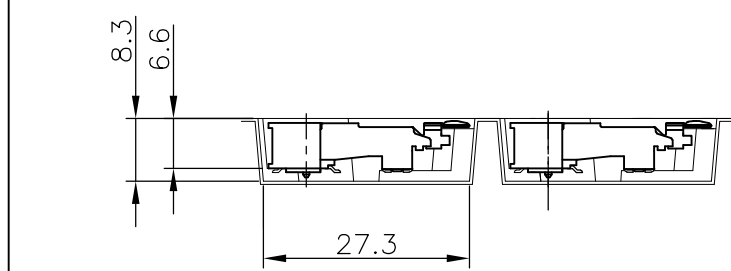
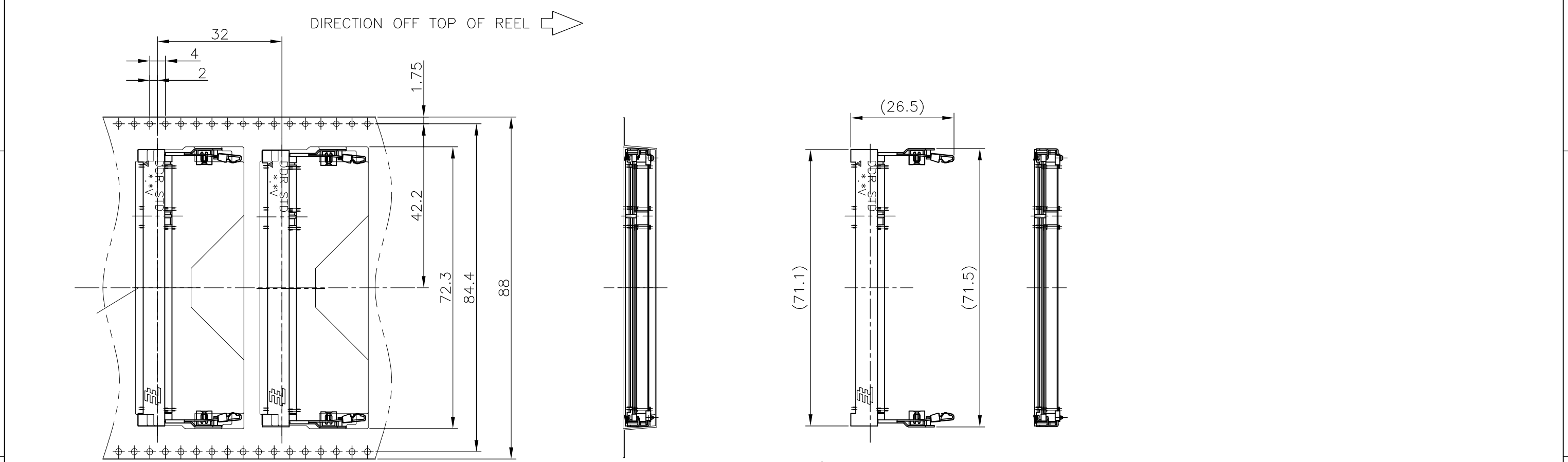
AVAILABLE	20EA/TRAY	GRAY	5-1746530-4
NOT AVAILABLE		GRAY	-
TOOLING STATUS	QTY	CONNECTOR COLOR	P/N

- (APPLIED TO SHEET 4)
1. THE DIRECTION OF EACH CONNECTOR ON A TRAY IS REFERRED TO THIS DRAWING.
 2. GENERAL TOLERANCE: ±0.5

THIS DRAWING IS A CONTROLLED DOCUMENT.		DWN	Tyco Electronics AMP K.K. Kawasaki, Japan	
DIMENSIONS: MM		CHK		
TOLERANCES UNLESS OTHERWISE SPECIFIED:		APVD	NAME	
0 PLC ±		PRODUCT SPEC	DDR1 & DDR2 SODIMM SOCKET	
1 PLC ±		APPLICATION SPEC	0.6mm PITCH 200POS	
2 PLC ±		WEIGHT	6.5 HEIGHT STANDARD TYPE	
3 PLC ±		CUSTOMER DRAWING	SIZE	RESTRICTED TO
4 PLC ±			A3	-
ANGLES ±		CAGE CODE	DRAWING NO	SCALE
FINISH		00779	1746530	2:1
		FINISH	SCALE	SHEET
			2:1	4 OF 5
				REV
				D1

THIS DRAWING IS UNPUBLISHED. RELEASED FOR PUBLICATION
 © COPYRIGHT BY TYCO ELECTRONICS CORPORATION. ALL RIGHTS RESERVED.

LOC	DIST	REVISIONS			
P	LTR	DESCRIPTION	DATE	DWN	APVD
J		SEE SHEET 1	-	-	-



AVAILABLE TOOLING STATUS	150EA/REEL QTY	GRAY CONNECTOR COLOR	6-1746530-4 P/N
--------------------------	----------------	----------------------	-----------------

THIS DRAWING IS A CONTROLLED DOCUMENT.		DWN	Tyco Electronics AMP K.K. Kawasaki, Japan	
DIMENSIONS: MM		CHK		
TOLERANCES UNLESS OTHERWISE SPECIFIED:		APVD	NAME	
0 PLC ± 1 PLC ± 2 PLC ± 3 PLC ± 4 PLC ± ANGLES ± FINISH ±		PRODUCT SPEC	DDR1 & DDR2 SODIMM SOCKET 0.6mm PITCH 200POS 6.5 HEIGHT STANDARD TYPE	
MATERIAL		APPLICATION SPEC	SIZE	CAGE CODE
		WEIGHT	A3	00779
		CUSTOMER DRAWING	DRAWING NO	RESTRICTED TO
		SCALE	C-1746530	
		1:1	5 OF 5	
		SHEET	REV D1	