



SM802140

ClockWorks™ 644.53125MHz LVDS
Ultra-Low Jitter,
Frequency Synthesizer

General Description

The SM802140 is a member of the ClockWorks™ family of devices from Micrel and provides an extremely low-noise timing solution for clock signals. It is based upon a unique patented RotaryWave® architecture that provides very low phase noise.

The device operates from a 3.3V or 2.5V power supply and synthesizes four Differential LVDS clocks at 644.53125MHz

The SM802140 accepts a 20.141601MHz crystal input.

Data sheets and support documentation can be found on Micrel's web site at: www.micrel.com.

Features

Generates four LVDS clocks output at 644.53125MHz
2.5V or 3.3V operating range

Typical phase jitter @ 644MHz

(1.875MHz to 20MHz): 114 fs (typical) at 3.3V

Industrial temperature range

Green, RoHS, and PFOS compliant

Available in 24-pin 4mm × 4mm QFN package

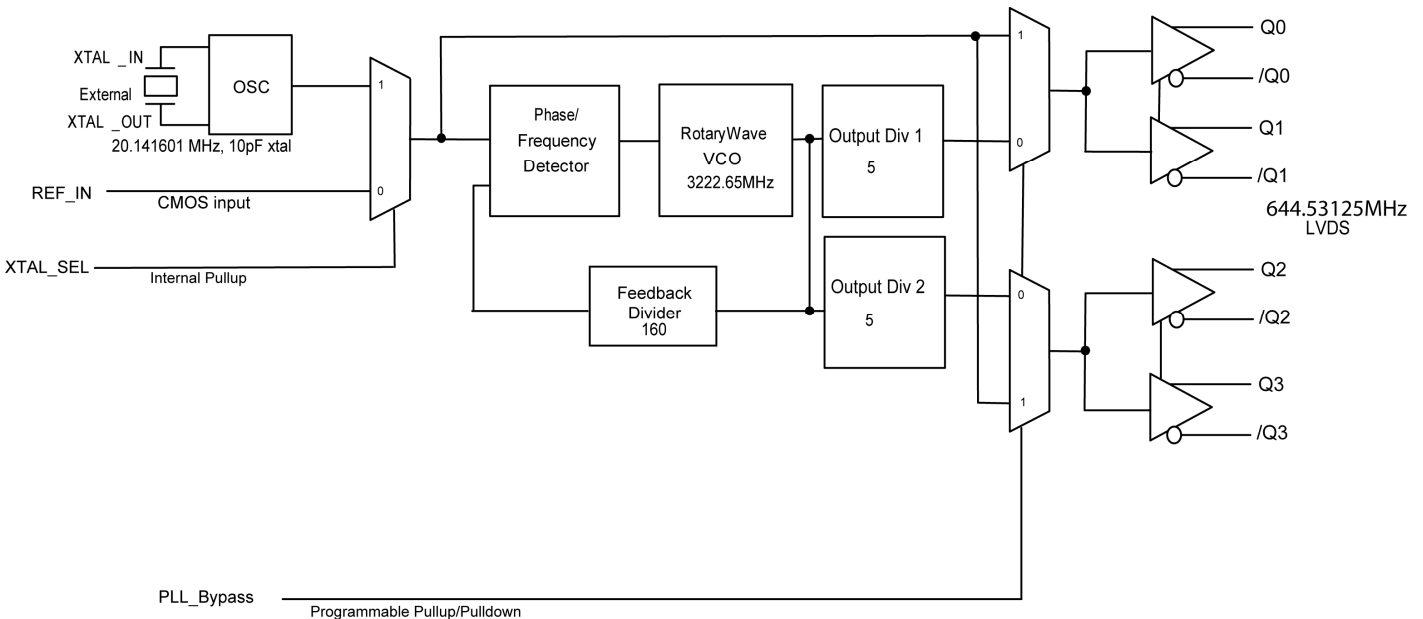
Applications

40GbE

Serial PMD clock

FPGA Transceiver clock

Block Diagram



ClockWorks is a trademark of Micrel, Inc
RotaryWave is a registered trademark of Micrel, Inc.

Micrel Inc. • 2180 Fortune Drive • San Jose, CA 95131 • USA • tel +1 (408) 944-0800 • fax +1 (408) 474-1000 • <http://www.micrel.com>

November 2011

M9999-012111-A

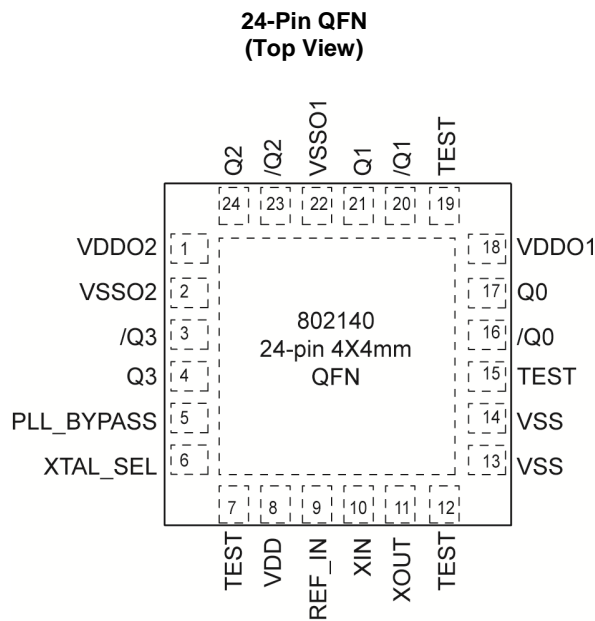
Ordering Information

Part Number	Marking	Shipping	Temperature Range	Package
SM802140UMG	802140	Tube	-40°C to +85°C	24-Pin QFN
SM802140UMGTR	802140	Tape and Reel	-40°C to +85°C	24-Pin QFN

Note:

1. Devices are Green, RoHS, and PFOS compliant.

Pin Configuration



Pin Description

Pin Number	Pin Name	Pin Type	Pin Level	Pin Function
3, 4 16, 17 20, 21 23, 24	/Q3, Q3 /Q0, Q0 /Q1, Q1 /Q2, Q2	O, (DIFF)	LVDS	Differential Clock Outputs at 644.53125MHz
1	VDDO2	PWR		Power Supply for Outputs Q2 and Q3
2	VSSO2	PWR		Power Supply Ground for Outputs Q2 and Q3
5	PLL_BYPASS	I, (SE)	LVC MOS	Bypasses the PLL and Switches the REF_IN or XTAL Frequency to all Outputs 1 = Bypass PLL, output is XTAL or REF_IN 0 = PLL Mode, 45KΩ pull-down
6	XTAL_SEL	I, (SE)	LVC MOS	Selects PLL Reference Input Mode 0 = REF_IN, 1 = XTAL, 45KΩ pull-up
7, 12, 15, 19	TEST	I, (SE)	LVC MOS	Test Pins. Do Not Connect These Pins to Anything

Pin Description (Continued)

8	VDD	PWR		Power Supply
9	REF_IN	I, (SE)	LVC MOS	Reference Clock Input
10	XIN	I, (SE)	crystal	Crystal Input, no load caps needed. See Fig. 6.
11	XOUT	O, (SE)	crystal	Crystal Output, no load caps needed. See Fig. 6.
13	VSS	I, (SE)		This Pin is not a Power Supply Ground, but MUST be Tied to VSS
14	VSS (Exposed Pad)	PWR		Power Supply Ground. The exposed pad must be connected to the VSS ground plane.
18	VDDO1	PWR		Power Supply for Outputs Q0 and Q1
22	VSSO1	PWR		Power Supply Ground for Outputs Q0 and Q1

Truth Table

PLL_BYPASS	XTAL_SEL	INPUT	OUTPUT
0	–	–	PLL
1	–	–	XTAL/REF_IN
–	0	REF_IN	–
–	1	XTAL	–

Application Information

Crystal Layout

Keep the layers under the crystal as open as possible and do not place switching signals or noisy supplies under the crystal.

Crystal load capacitance is built inside the die so no external capacitance is needed. See the *Selecting a Quartz crystal for the Clockworks Flex I Family of Precision Synthesizers* application note for further details.

Contact Micrel's HBW applications group if you need assistance on selecting a suitable crystal for your application at hbwhelp@micrel.com

Absolute Maximum Ratings⁽¹⁾

Supply Voltage ($V_{DD}, V_{DDO1/2}$)	+4.6V
Input Voltage (V_{IN})	-0.50V to $V_{DD} + 0.5V$
Lead Temperature (soldering, 20sec.)	260°C
Case Temperature	115°C
Storage Temperature (T_s)	-65°C to +150°

Operating Ratings⁽²⁾

Supply Voltage ($V_{DD}, V_{DDO1/2}$)	+2.375V to +3.465V
Ambient Temperature (T_A)	-40°C to +85°C
Junction Thermal Resistance ⁽³⁾	
QFN (θ_{JA})	
Still-Air	50°C/W
QFN (ψ_{JB})	
Junction-to-Board	32°C/W

DC Electrical Characteristics⁽⁴⁾

$V_{DD} = V_{DDO} = 3.3V \pm 5\%$ or $2.5V \pm 5\%$
 $V_{DD} = 3.3V \pm 5\%$, $V_{DDO1/2} = 3.3V \pm 5\%$ or $2.5V \pm 5\%$
 $T_A = -40^\circ\text{C}$ to $+85^\circ\text{C}$.

Symbol	Parameter	Condition	Min.	Typ.	Max.	Units
V_{DD}, V_{DDO}	2.5V Operating Voltage		2.375	2.5	2.625	V
V_{DD}, V_{DDO}	3.3V Operating Voltage		3.135	3.3	3.465	V
I_{DD}	Supply current $V_{DD} + V_{DDO}$ Outputs open	644MHz - 4 Diff LVDS outputs	-	204	240	mA

LVCMOS INPUT (XTAL_SEL, PLL_Bypass) DC Electrical Characteristics⁽⁴⁾

$V_{DD} = 3.3V \pm 5\%$, or $2.5V \pm 5\%$, $T_A = -40^\circ\text{C}$ to $+85^\circ\text{C}$.

Symbol	Parameter	Condition	Min.	Typ.	Max.	Units
V_{IH}	Input High Voltage		2		$V_{DD} + 0.3$	V
V_{IN}	Input Low Voltage		-0.3		0.8	V
I_{IH}	Input High Current	$V_{DD} = V_{IN} = 3.465V$			150	μA
I_{IL}	Input Low Current	$V_{DD} = 3.465V, V_{IN} = 0V$	-150			μA

LVDS OUTPUT DC Electrical Characteristics⁽⁴⁾

$V_{DD} = V_{DDO1/2} = 3.3V \pm 5\%$ or $2.5V \pm 5\%$
 $V_{DD} = 3.3V \pm 5\%$, $V_{DDO1/2} = 3.3V \pm 5\%$ or $2.5V \pm 5\%$
 $T_A = -40^\circ\text{C}$ to $+85^\circ\text{C}$. $R_L = 100\Omega$ across Q and /Q.

Symbol	Parameter	Condition	Min	Typ	Max	Units
V_{OD}	Differential Output Voltage	Figure 1	275	350	475	mV
ΔV_{OD}	V_{OD} Magnitude Change				40	mV
V_{OS}	Offset Voltage		1.15	1.25	1.50	V
ΔV_{OS}	V_{OS} Magnitude Change				50	mV

Crystal Characteristics

Parameter	Condition	Min.	Typ.	Max.	Units
Mode of Oscillation	10pF Load ⁽⁶⁾	Fundamental, Parallel Resonant			
Frequency			20.141601		MHz
Equivalent Series Resistance (ESR)				50	Ω
Shunt Capacitor, C0			1	5	pF
Correlation Drive Level			10	100	μ W

AC Electrical Characteristics^(4, 5, 6)

$$V_{DD} = V_{DDO1/2} = 3.3V \pm 5\% \text{ or } 2.5V \pm 5\%$$

$$V_{DD} = 3.3V \pm 5\%, V_{DDO1/2} = 3.3V \pm 5\% \text{ or } 2.5V \pm 5\%$$

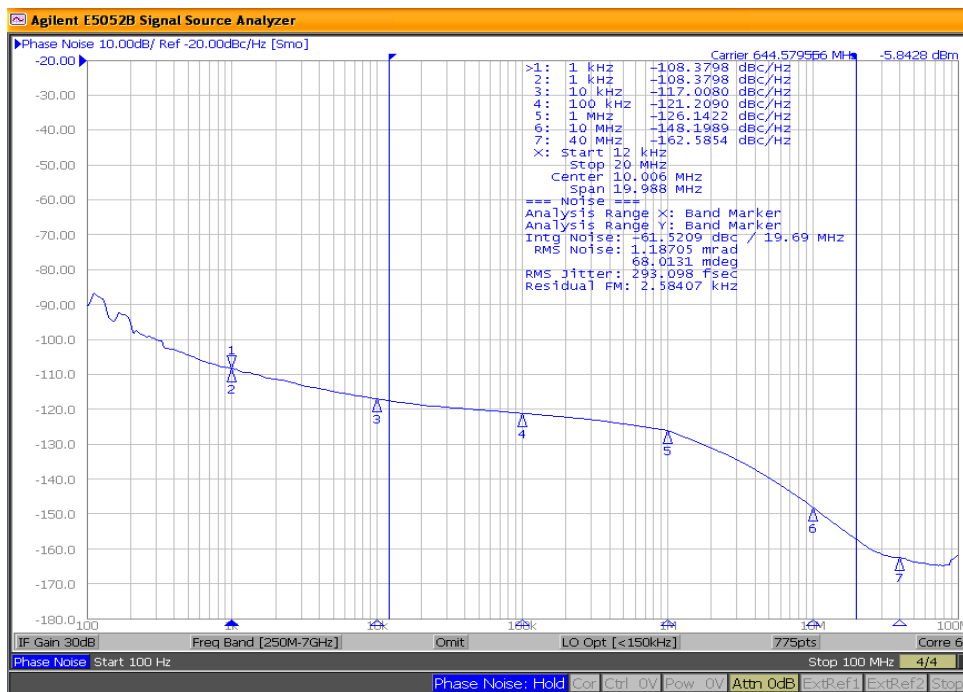
$$T_A = -40^\circ\text{C to } +85^\circ\text{C. } R_L = 100\Omega \text{ across Q and /Q}$$

Symbol	Parameter	Condition	Min.	Typ.	Max.	Units
F _{OUT}	Output Frequency			644.53125		MHz
T _R /T _F	LVDS Output Rise/Fall Time	20% – 80%	80	175	350	ps
ODC	Output Duty Cycle		48	50	52	%
T _{LOCK}	PLL Lock Time				20	ms
T _{jit} (\emptyset)	RMS Phase Jitter	Integration Range (1.875MHz – 20MHz) Integration Range (12kHz – 20MHz)		114 293		fs
	Spurious Noise Components	20.141MHz reference Reference 2 nd harmonic Reference 3 rd harmonic		-82 -78 -85		dBc

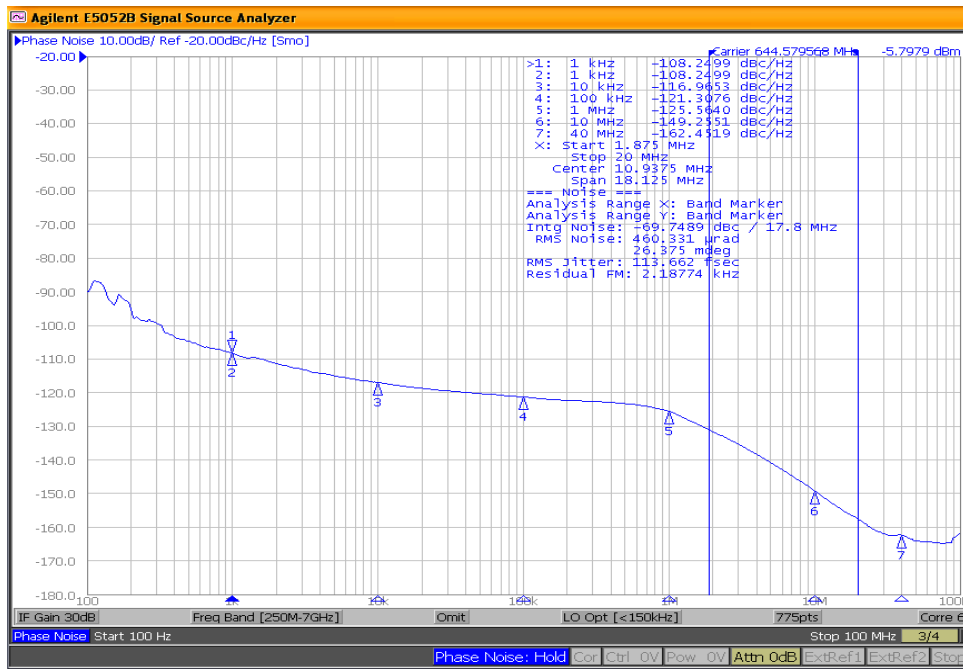
Note:

1. Permanent device damage may occur if absolute maximum ratings are exceeded. This is a stress rating only and functional operation is not implied at conditions other than those detailed in the operational sections of this data sheet. Exposure to absolute maximum rating conditions for extended periods may affect device reliability.
2. The data sheet limits are not guaranteed if the device is operated beyond the operating ratings.
3. Package thermal resistance assumes exposed pad is soldered (or equivalent) to the devices most negative potential on the PCB.
4. The circuit is designed to meet the AC and DC specifications shown in the above table(s) after thermal equilibrium has been established.
5. All phase noise measurements were taken with an Agilent 5052B phase noise system.
6. See Application note, "Selecting a Quartz crystal for the Clockworks Flex I Family of Precision Synthesizers" for further details.
7. Measured using 20.141MHz crystal as the input reference source. If using an external reference input, use a low phase noise source. With an external reference, the phase noise will follow the input source phase noise up to about 1MHz.

Phase Noise Plots



Phase Noise Plot: 644.53125MHz, 12KHz - 20MHz 293 Fs



Phase Noise Plot: 644.53125MHz, 1.875MHz - 20MHz 114 Fs

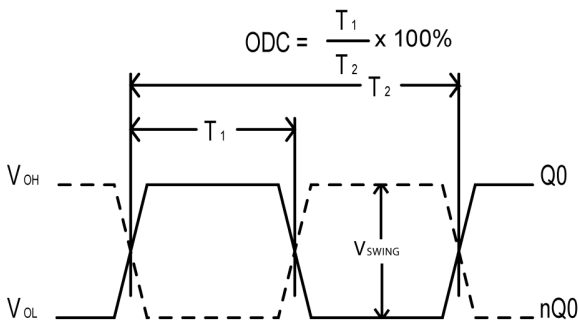


Figure 1. Duty Cycle Timing

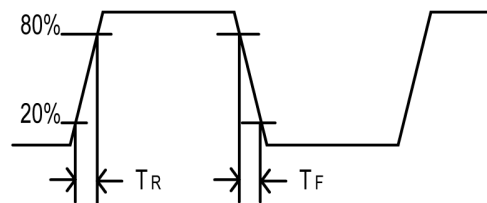


Figure 2. All Outputs Rise/Fall Time

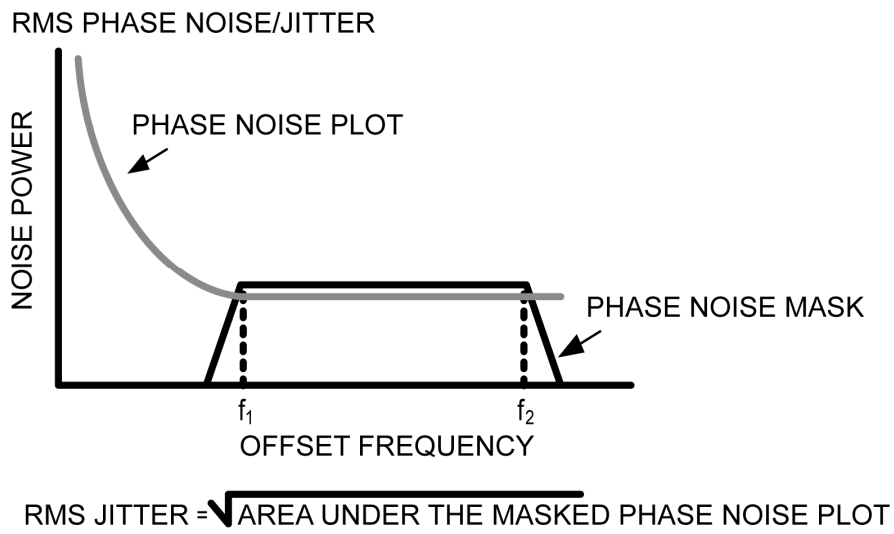


Figure 3. RMS Phase/Noise/Jitter

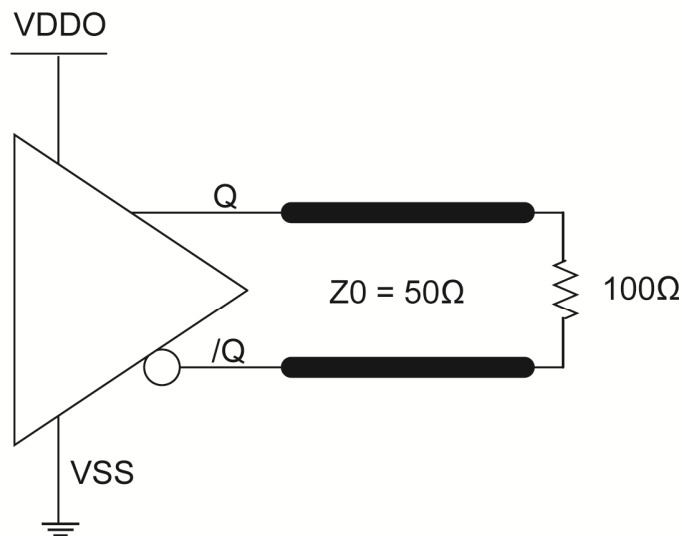


Figure 4. LVDS Output Load and Test Circuit

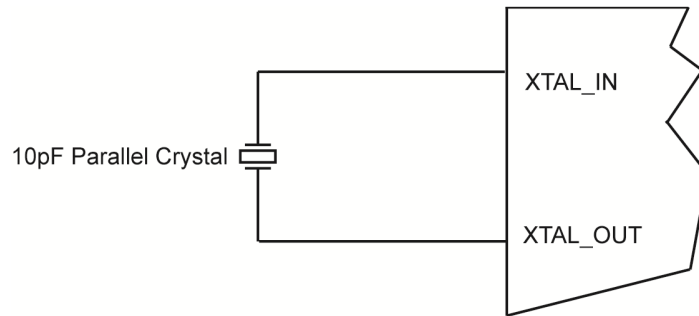
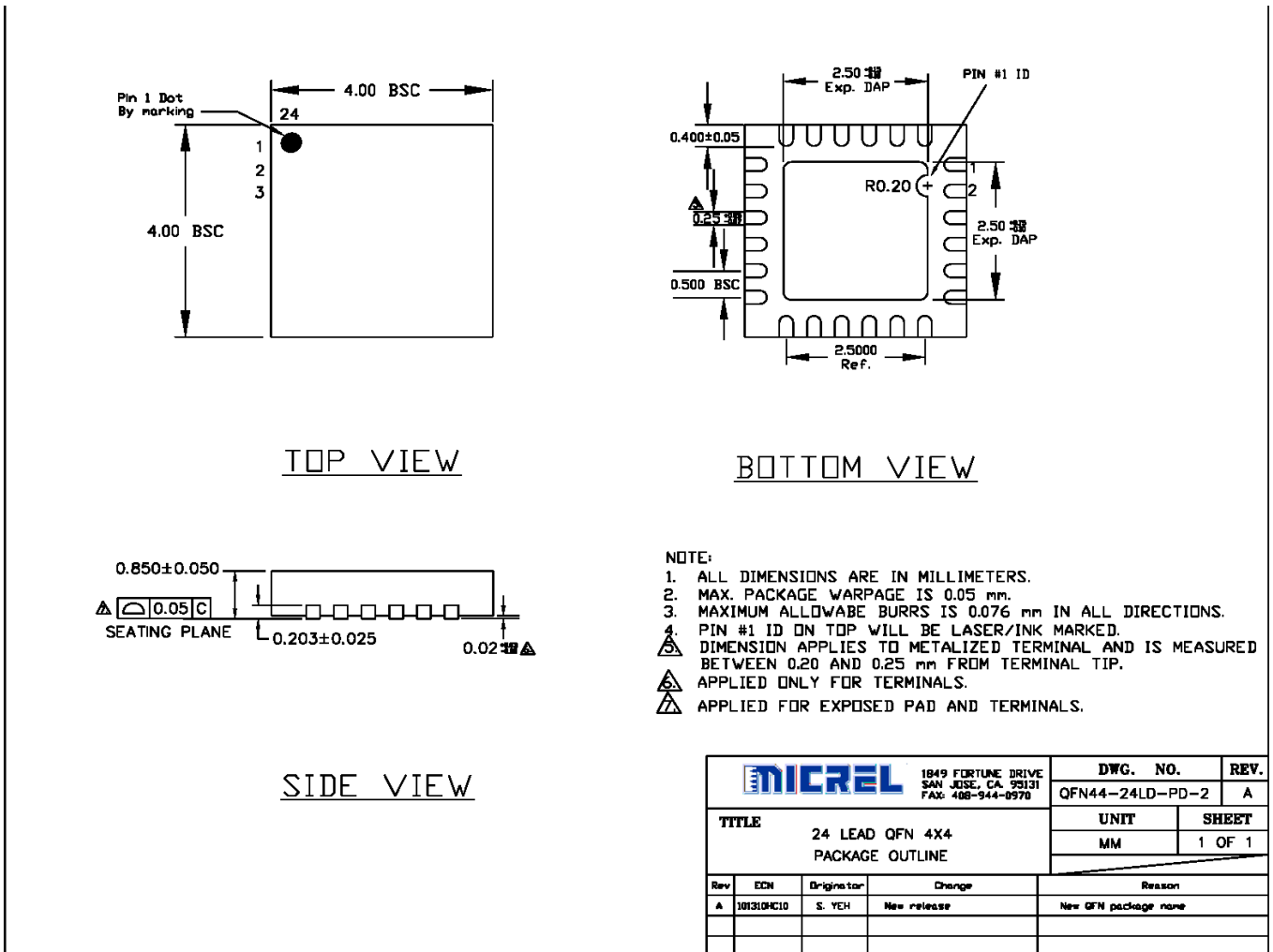


Figure 5. Crystal Input Interface

Package Information



24-Pin QFN

MICREL, INC. 2180 FORTUNE DRIVE SAN JOSE, CA 95131 USA
 TEL +1 (408) 944-0800 FAX +1 (408) 474-1000 WEB <http://www.micrel.com>

Micrel makes no representations or warranties with respect to the accuracy or completeness of the information furnished in this data sheet. This information is not intended as a warranty and Micrel does not assume responsibility for its use. Micrel reserves the right to change circuitry, specifications and descriptions at any time without notice. No license, whether express, implied, arising by estoppel or otherwise, to any intellectual property rights is granted by this document. Except as provided in Micrel's terms and conditions of sale for such products, Micrel assumes no liability whatsoever, and Micrel disclaims any express or implied warranty relating to the sale and/or use of Micrel products including liability or warranties relating to fitness for a particular purpose, merchantability, or infringement of any patent, copyright or other intellectual property right.

Micrel Products are not designed or authorized for use as components in life support appliances, devices or systems where malfunction of a product can reasonably be expected to result in personal injury. Life support devices or systems are devices or systems that (a) are intended for surgical implant into the body or (b) support or sustain life, and whose failure to perform can be reasonably expected to result in a significant injury to the user. A Purchaser's use or sale of Micrel Products for use in life support appliances, devices or systems is a Purchaser's own risk and Purchaser agrees to fully indemnify Micrel for any damages resulting from such use or sale.