

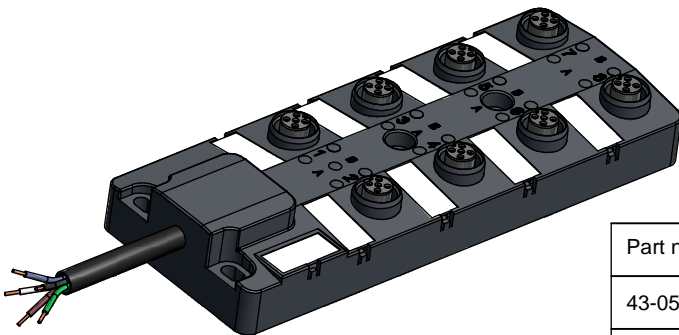
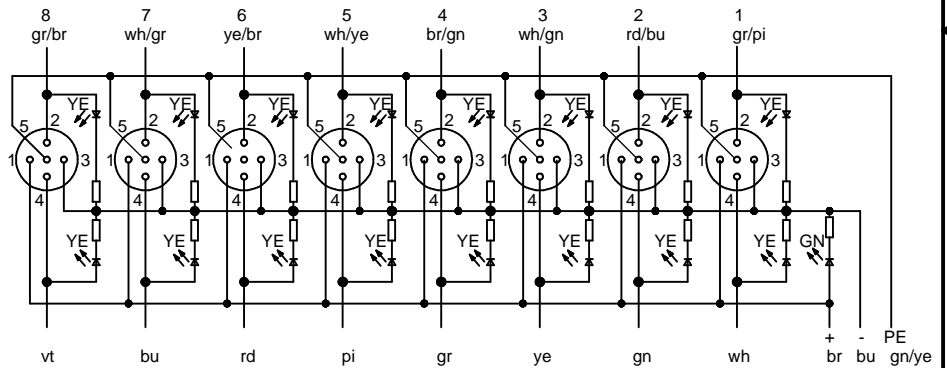
Technical specification:

Rated voltage: IEC 61076-2-101	max. 30 V
Current rating: IEC 61076-2-101	2A signal contact, total ampacity max. 12A
Insulation resistance: IEC 60512	>=100 MΩ
Pollution degree: IEC 60664-1	3/2
Degree of protection: IEC 60529	IP 67, in mated condition
Temperature range: IEC 60664-1	-20°C ... +80°C (unmoved)
Mating cycles: IEC 60512-9a	>=100

Materials:

Contact:	CuSn6
Contact plating:	Nickel, gold plated
Contact carrier:	PBT, UL 94
Sealing:	FPM
Housing:	PBT, UL 94 similar to RAL 7024
Grouting:	Polyurethane-resin, UL 94

Port



Part no:	Description:	Length L:	Cable:
43-05012	SAL - 12 - 8FK5 - 17L - 5 / K3	5m	TPU, UL 21198, black, 3x1,0mm ² + 16x0,34mm ²
43-05013	SAL - 12 - 8FK5 - 17L - 10 / K3	10m	

DO NOT ALTER CAD DRAWING BY HAND Directive 2002/95/EC RoHS compliant	Index: b 22.08.11 VF Ä3941 data sheet revised	dim. in mm		title: Junction box M12x1 8-way with cable, plastic housing
	tolerance of cable: L ≤ 4m: L + 40mm L > 4m: L + 1%	date 30.10.07	name Fromm	
	general tolerance: 0 ± 0,50mm 0,0 ± 0,25mm 0,00 ± 0,10mm	appd. 14.02.08	W. Schmidt	part no: see table

THIS DRAWING MAY NOT BE COPIED OR REPRODUCED IN ANY WAY, AND MAY NOT BE PASSED ON TO A THIRD PARTY WITHOUT WRITTEN PERMISSION. OWNERSHIP AND COPYRIGHT OF CONEC GmbH