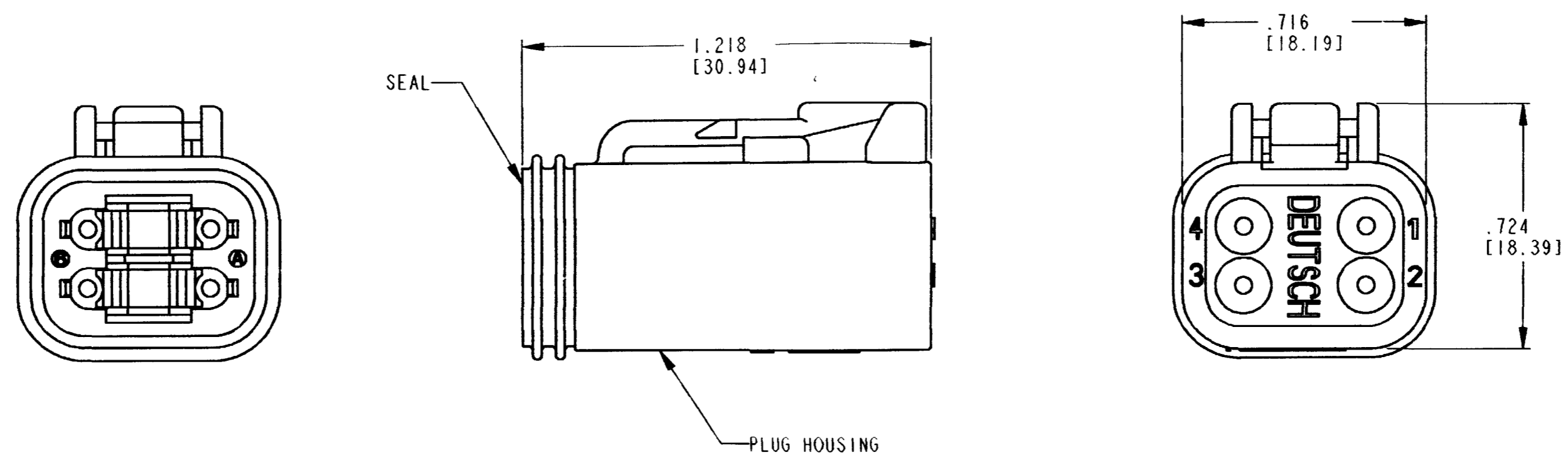


REV
A DT06-4S-E004

REVISIONS			
SYM	DESCRIPTION	DATE	APPROVED
NC	NEW RELEASE PER E.O. A13781	3/19/92	J.A.
A	REVISED PER E.O. P19534	5-17-07	RDR



5. SHELL MATERIAL: PLASTIC; COLOR: BLACK
SEAL MATERIAL: RUBBER
4. THIS PLUG MATES WITH THE DT04-4P-**** RECEPTACLE (**** = ALL MODIFICATIONS).
CONSULT FACTORY FOR MODIFICATATIONS.
3. FOR CONTACTS AND WIRE PERFORMANCE AND APPLICATION CHARACTERISTICS
SEE ENVELOPE DRAWING 0425-015-0000 AND 0425-017-0000.
2. DIMENSIONS ARE ±.025 [0.63] UNLESS OTHERWISE SPECIFIED.
1. DIMENSIONS ARE IN INCHES [MILLIMETERS].

CONTACT SIZE	MIN. INSUL O.D.	MAX. INSUL O.D.	WIRE RANGE [mm ²]
16	.088 [2.23]	.145 [3.68]	14-20 AWG [2.0-0.5]

NOTES:

SIGNATURE & DATE	
DR	A. MALAGON 04MAY07
CHK	<i>[Signature]</i> 5/17/07
PE	<i>[Signature]</i> 5/10/07
APPD	<i>[Signature]</i> 5/10/07
SCALE	NONE
WT	

4 WAY PLUG
-E004 MOD.
COLOR: BLACK
DT SERIES

ENVELOPE

EP	MATL CODE
The Deutsch Company DEUTSCH I.P.D. 3850 INDUSTRIAL AVE. HEMET, CALIF. 92545	
B	DT06-4S-E004
DWG SIZE	CODE 11139 SHEET OF