

Device connector, front mounting - SB-8ESCA8AA700S - 1623365

Please be informed that the data shown in this PDF Document is generated from our Online Catalog. Please find the complete data in the user's documentation. Our General Terms of Use for Downloads are valid (<http://phoenixcontact.com/download>)



Device connector for front wall, angled rotatable, shielded: yes, SPEEDCON, M40, No. of pos.: 4+4+4+PE, type of contact: Socket, Crimp connection, Axial O-ring, 4x Ø4,2

Why buy this product

- ✓ Easy connection, thanks to infinitely adjustable cable outlet direction up to 310°
- ✓ Transmission of signals, data, and power in just a single connector
- ✓ CAT5 data interface for up to 100 Mbps
- ✓ Mechanical coding reliably prevents incorrect connections
- ✓ Safe use in the field, thanks to high degree of protection
- ✓ Consistent EMC protection for reliable connection solutions in the industrial environment

Key Commercial Data

Packing unit	1 STK
GTIN	
GTIN	4055626194868

Technical data

Temperature range

Ambient temperature (operation)	-40 °C ... 130 °C
---------------------------------	-------------------

Data of the insulating body

Coding	CAT5, coding 1
Contact connection method	Crimp connection
Type of contacts	Socket
Application	Hybrid
Number of positions	13
Contact diameter of power contacts	3.6 mm
Litz wire cross section of power contacts min.	1 mm ²
Litz wire cross section of power contacts max.	10 mm ²

Device connector, front mounting - SB-8ESCA8AA700S - 1623365

Technical data

Data of the insulating body

Nominal current per power contact at 25°C	70 A
Nominal voltage, power contact	630 V AC
	850 V DC
Rated surge voltage	6 kV
Contact diameter of signal contacts	1 mm
Litz wire cross section of signal contacts min.	0.06 mm ²
Litz wire cross section of signal contacts max.	1.5 mm ²
Nominal current per signal contact at 25°C	8 A
Nominal voltage, signal contact	500 V
Rated surge voltage	1.5 kV
Contact diameter, data contacts	0.8 mm
Litz wire cross section, data contacts, min.	0.08 mm ²
Litz wire cross section, data contacts, max.	0.5 mm ²
Nominal current per data contact at 25°C	3.6 A
Nominal voltage of data contact	50 V
Rated surge voltage	1.5 kV
Overvoltage category	III
Degree of pollution	3

Housing data

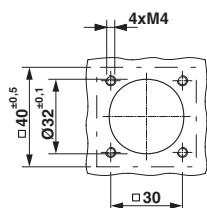
Housing material	Turned parts: copper zinc alloy (CuZn), die-cast parts: zinc (GD-Zn)
Type of locking	SPEEDCON
Degree of protection (when plugged in)	IP68/IP69K
Thread type	M40

Environmental Product Compliance

REACH SVHC	Lead 7439-92-1
China RoHS	Environmentally Friendly Use Period = 50
	For details about hazardous substances go to tab "Downloads", Category "Manufacturer's declaration"

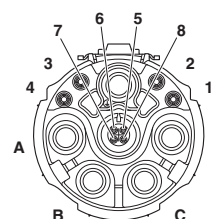
Drawings

Dimensional drawing



Installation dimensions

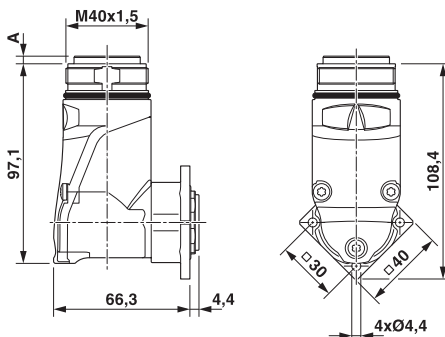
Schematic diagram



Pin assignment of socket CAT5, coding 1

Device connector, front mounting - SB-8ESCA8AA700S - 1623365

Dimensional drawing



Pin version: dimension A = 3.7 mm, socket version: dimension A = 0.05 mm

Approvals

Approvals

Approvals

cULus Recognized

Ex Approvals

Approval details

cULus Recognized		http://database.ul.com/cgi-bin/XYV/template/LISEXT/1FRAME/index.htm 20170915-E468743
Nominal voltage UN	600 V	
Nominal current IN	35 A	
mm ² /AWG/kcmil	8	

Phoenix Contact 2018 © - all rights reserved
<http://www.phoenixcontact.com>

PHOENIX CONTACT GmbH & Co. KG
 Flachsmarktstr. 8
 32825 Blomberg
 Germany
 Tel. +49 5235 300
 Fax +49 5235 3 41200
<http://www.phoenixcontact.com>