

# SUBCON-PLUS F4


Order No.: 2744089

The illustration shows version SUBCON-PLUS M 2



<http://eshop.phoenixcontact.de/phoenix/treeViewClick.do?UID=2744089>

D-SUB connector, 9-pos. female connector, two cable entries < 35°, bus system: CAN, KEBA up to 1 Mbps, pin assignment: 2, 3, 4, 5, 6, 7; screw connection terminal blocks

Commercial data	
GTIN (EAN)	
sales group	H631
Pack	1 pcs.
Customs tariff	85366990

#### Product notes

WEEE/RoHS-compliant since:  
06/04/2007



<http://www.download.phoenixcontact.com>  
Please note that the data given here has been taken from the online catalog. For comprehensive information and data, please refer to the user documentation. The General Terms and Conditions of Use apply to Internet downloads.

Technical data	
<b>General data</b>	
Nominal voltage $U_N$	60 V AC/DC
Nominal current $I_N$	1 A
Bus system	CAN, KEBA
Insertion/withdrawal cycles	> 200

Max. cable diameter	10 mm
Min. cable diameter	6 mm
SUBCON fixing screws	4-40 UNC
Tightening torque	0.4 Nm
Ambient temperature (operation)	-20 °C ... 70 °C
Housing material	ABS, metal-plated
Pin assignment	2, 3, 4, 5, 6, 7 on two terminal blocks

#### Connection data

Connection	D-SUB connection
Number of positions	9
Type of connection	D-SUB socket
Tightening torque	0.4 Nm
Connection	PCB connection
Type of connection	Screw connection
Conductor cross section solid min.	0.14 mm <sup>2</sup>
Conductor cross section solid max.	1.5 mm <sup>2</sup>
Conductor cross section stranded min.	0.14 mm <sup>2</sup>
Conductor cross section stranded max.	1 mm <sup>2</sup>
Conductor cross section AWG/kcmil min.	26
Conductor cross section AWG/kcmil max	16
Stripping length	5 mm
Tightening torque	0.4 Nm

#### Certificates / Approvals



Certification

CUL, GOST, UL

### Accessories

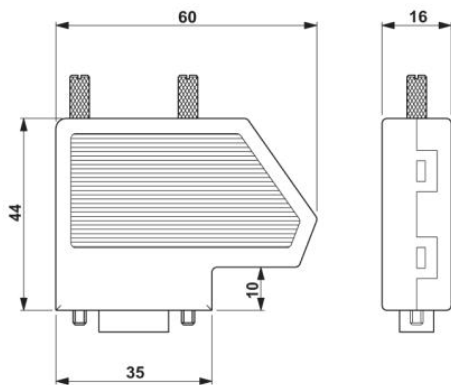
Item	Designation	Description
------	-------------	-------------

#### Assembly

2799694	SUBCON-SHORT-SCREW	Optional mounting screw, without knurl for narrow installation conditions, slotted head, length: 40 mm, UNC 4-40 thread
---------	--------------------	---

### Diagrams/Drawings

Dimensioned drawing



SUBCON-PLUS F4 Order No.: 2744089

<http://eshop.phoenixcontact.de/phoenix/treeViewClick.do?UID=2744089>

---

**Address**

PHOENIX CONTACT Deutschland GmbH  
Flachmarktstr. 8  
32825 Blomberg, Germany  
Phone +49 5235 3 12000  
Fax +49 5235 3 41200  
<http://www.phoenixcontact.de>



© 2011 Phoenix Contact  
Technical modifications reserved;