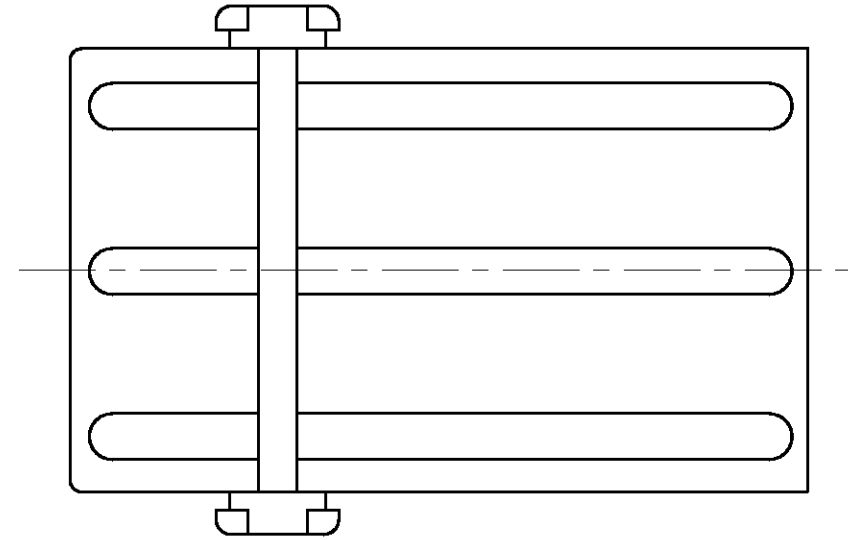
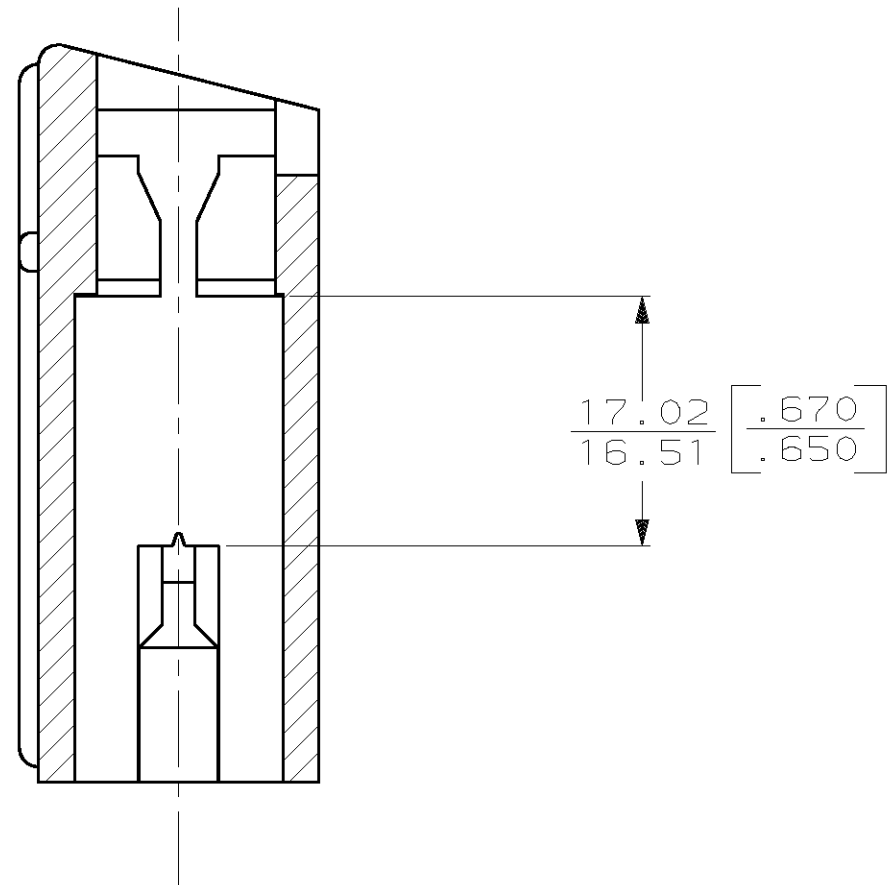
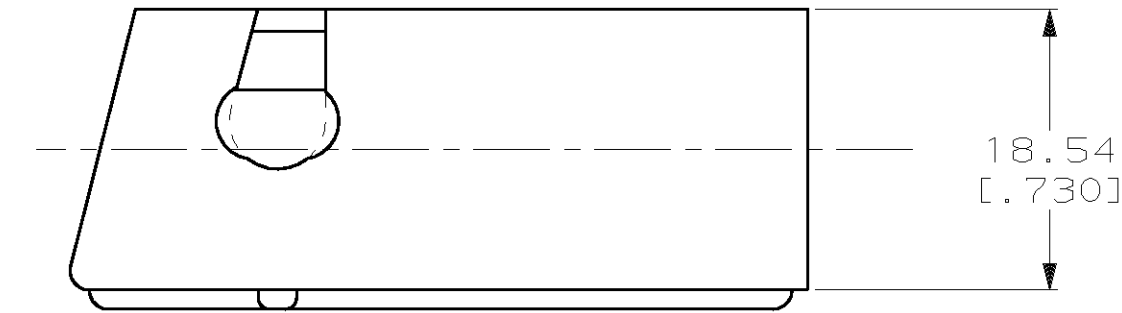
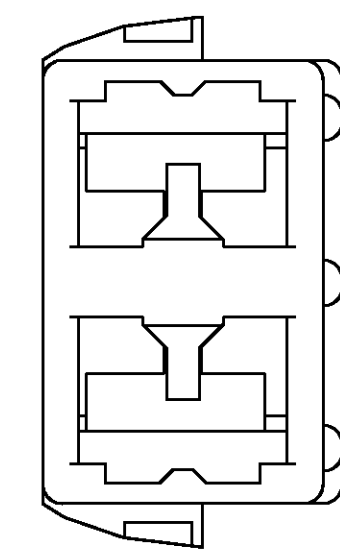
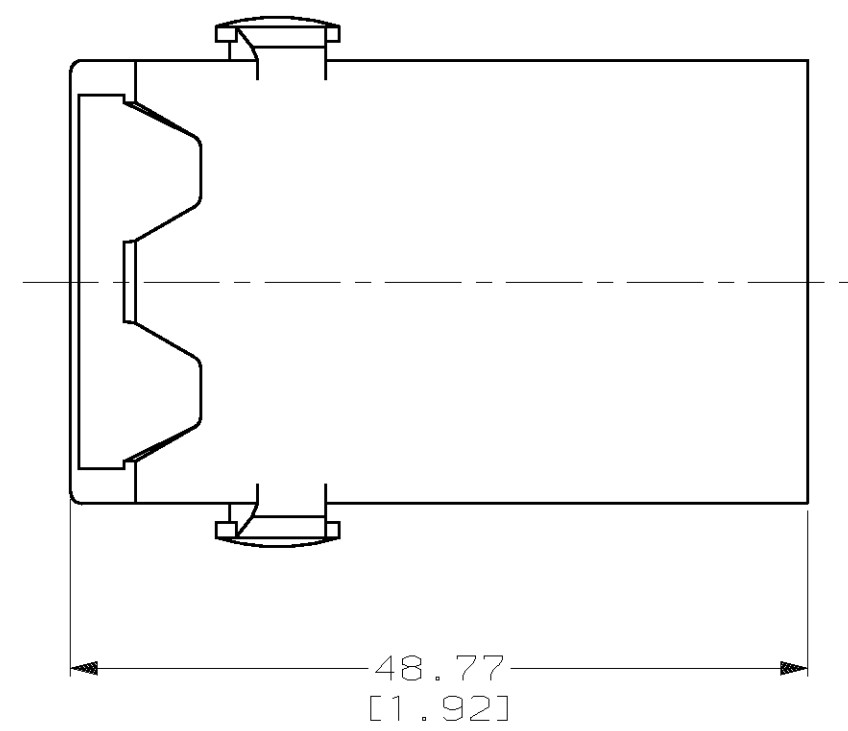
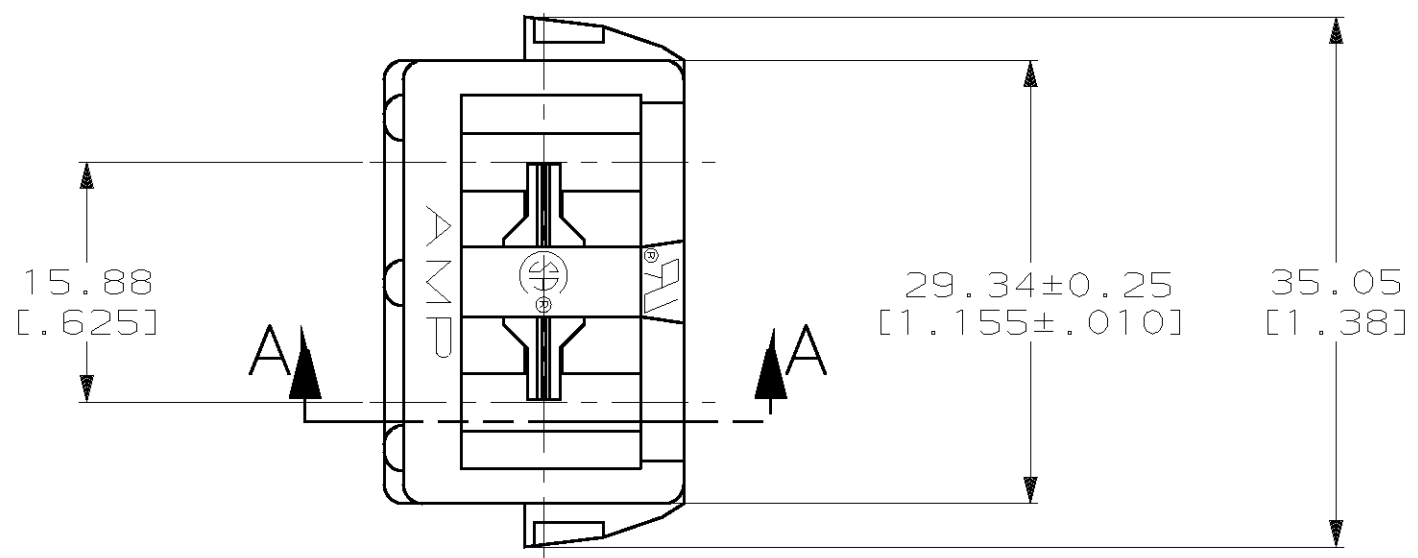


LOC	DIST	P	F	ZONE	LTR	REVISIONS	DATE	APPD
AF	50					D	REVISED PER 061A-0114-99	01APR1999 PF/JD



1 ACCEPTS CONTACT 640748.

SECTION A-A

770524-1
PART NO

DO NOT SCALE PRINT. UNLESS SPECIFIED DIMENSIONS IN mm [INCHES] TOLERANCES ON : 2 PLC DEC ± 0.25 [.010] 3 PLC DEC ± - ANGLES ± -	DR 07/JUL/95 PHILLIP M FORTNEY	AMP Incorporated Harrisburg, PA 17105-3608		
	CHK 07/JUL/95 JEFF R RUTH			
MATERIAL PHENOLIC	APPD 07/JUL/95 JOHN PASTOR	NAME HOUSING, 2 CIRCUIT, HEAVY DUTY BURNER		
FINISH COLOR-BLACK	APPD 07/JUL/95 MARK BARNABA	SIZE C 00779	CAGE CODE C=770524	DRAWING NO C=770524
	PRODUCT SPEC -	RESTRICTED TO -		
	APPLICATION SPEC -	SCALE 2:1	SHEET 1 OF 1	
	WEIGHT -			

THIS DRAWING IS A CONTROLLED DOCUMENT FOR AMP INCORPORATED. IT IS SUBJECT TO CHANGE AND THE CONTROLLING ENGINEERING ORGANIZATION SHOULD BE CONTACTED FOR THE LATEST REVISION.