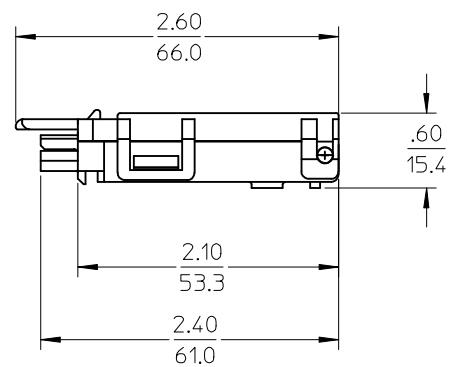
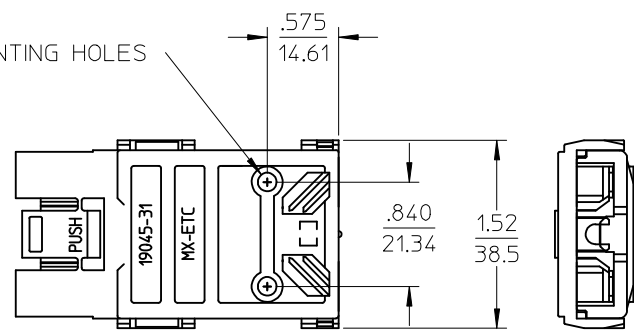
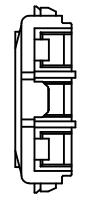
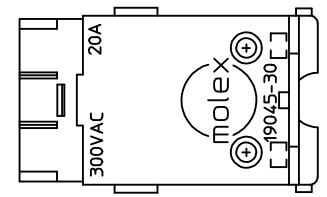
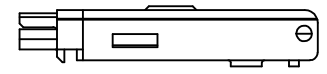


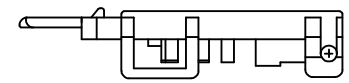
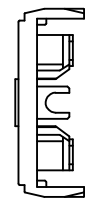
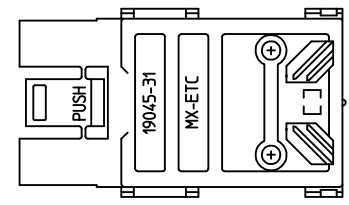
(2)  $\phi \frac{.15}{3.8}$  MOUNTING HOLES



ASSEMBLED VIEWS



HOUSING ASSEMBLY  
MATERIAL NUMBER 19045-2010, (C)  
CONTAINING HOUSING NUMBER 19045-3010



COVER  
MATERIAL NUMBER 19045-3110

- NOTES:  
 1. PARTS ARE PACKAGED 50 UNITS PER CONTAINER.  
 2. REF: UL FILE NO. E182087, CSA FILE NO. LR18689.  
 3. PARTS ARE ROHS COMPLIANT.

(C)

CHG SUBASSY P/N EC NO: WNA2009-0564 DRW: WETHRODAHL 2009/05/22 CHKD: JMACNEIL 2009/05/22 APPR: JMACNEIL 2009/05/27	QUALITY SYMBOLS	GENERAL TOLERANCES (UNLESS SPECIFIED)		DIMENSION STYLE IN/MM		SCALE 1:1	DESIGN UNITS INCH	THIRD ANGLE PROJECTION	
	=0 =0	4 PLACES	mm	INCH	DRAWN BY DAY	DATE 1997/05/27	TITLE CUSTOMER DRAWING COC-1 SC CONNECTOR ASSEMBLY 12-14AWG SOLID 2/C+GRD		
		3 PLACES	± ---	± ---	CHECKED BY RDEROSS	DATE 1997/05/27			
		2 PLACES	± 0.25	± .02	APPROVED BY RDEROSS	DATE 1997/05/27	MOLEX MOLEX INCORPORATED		
1 PLACE	± 0.5	± ---	ANGULAR ± ---°		MATERIAL NO. 190451000	DOCUMENT NO. SD-19045-100	SHEET NO. 1 OF 1		
DRAFT WHERE APPLICABLE MUST REMAIN WITHIN DIMENSIONS		SIZE B		THIS DRAWING CONTAINS INFORMATION THAT IS PROPRIETARY TO MOLEX INCORPORATED AND SHOULD NOT BE USED WITHOUT WRITTEN PERMISSION					