

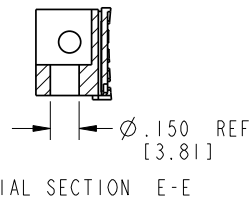
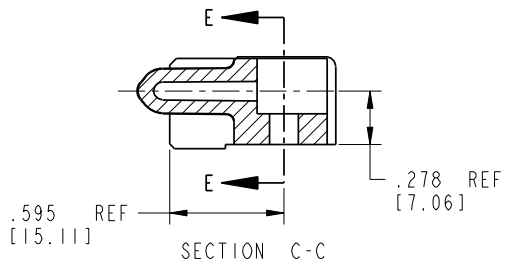
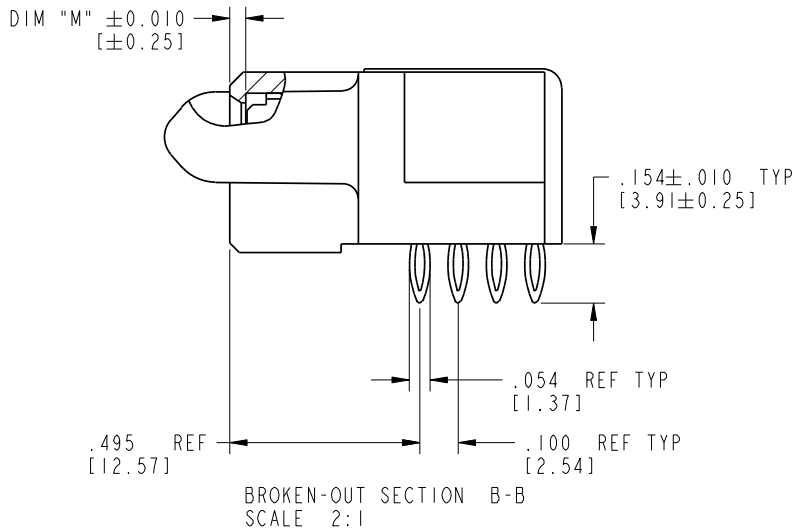
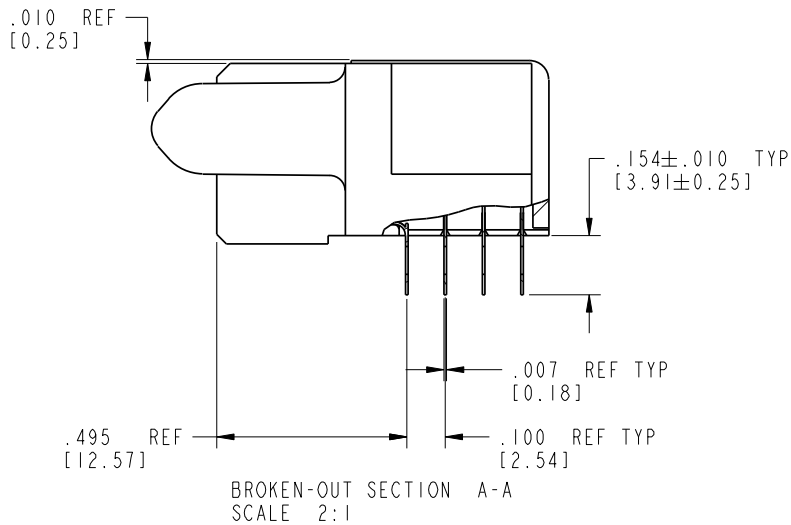
Tous droits strictement réservés. Reproduction ou communication o des liers interdite sous quelque forme que ce soit sans autorisation écrite du propriétaire. Propriete de c FCI. Droits de reproduction FCI.

All rights strictly reserved. Reproduction or issue to third parties in any form whatever is not permitted without written authority from the proprietor. Property of FCI. Copyright FCI.

FCI

PRODUCT NUMBER

51866-029__
NOTE: 3



mat'l code		SEE NOTE 2		tolerances unless otherwise specified		CUSTOMER		FCI		www.fciconnect.com	
lir	ecn no.	dr	date	linear	.XX ± .01 / 0.X ± 0.3	COPY		title		44S + 18P	
B				linear	.XX ± .005 / 0.XX ± 0.13	projection		R/A PRESS-FIT RECEPTACLE		product family	
				angles	.XXX ± .0020 / 0.XXX ± 0.051	INCH/MM		product family		PwrBlade	
				dr	0° ± 2°	scale		size		code	
				enr	T. BRUNGARD 10/26/04	1:1		dwg no		213	
				chr	M. GRAY 10/26/04			A		sheet	
				appd	M. GRAY 10/26/04			51866-029		2 of 4	
sheet index	revision sheet										

A

B

A

B

1 | 2

3 |

4

1 | 2

Pro/E

PDM: Rev: B

STAT **Released**

Printed: Dec 20, 2010

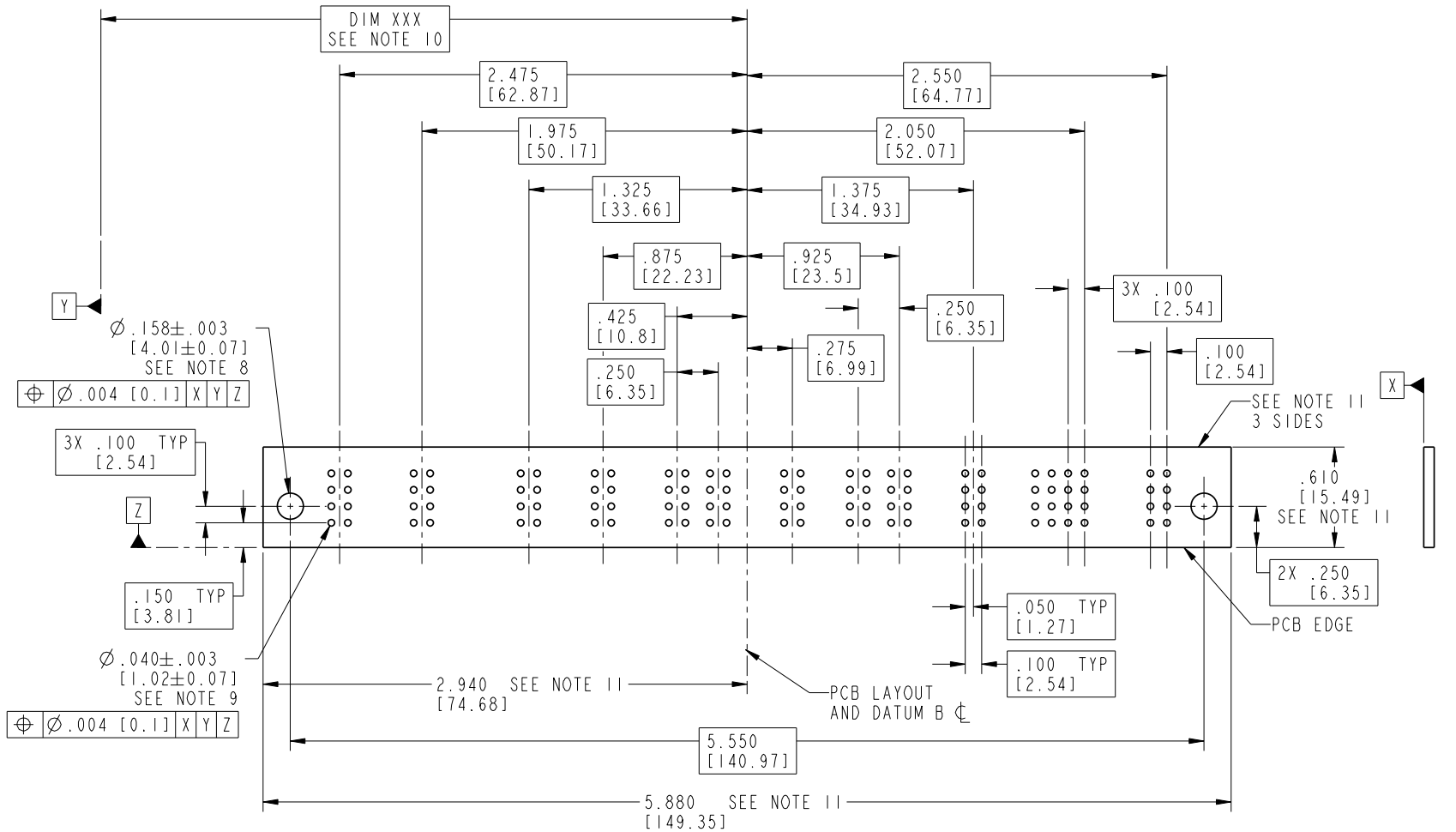
Tous droits strictement réservés. Reproduction ou communication o des liers interdite sous quelque forme que ce soit sans autorisation écrite du propriétaire. Propriete de c FCI. Droits de reproduction FCI.

All rights strictly reserved. Reproduction or issue to third parties in any form whatever is not permitted without written authority from the proprietor. Property of FCI. Copyright FCI.

FCI

PRODUCT NUMBER

51866-029__
NOTE: 3



mat'l code		SEE NOTE 2		tolerances unless otherwise specified		CUSTOMER		FCI		www.fciconnect.com	
lir	ecn no.	dr	date	linear	.XX±.01/0.X±0.3	projection	COPY		title 44S + 18P		
B				linear	.XXX±.005/0.XX±0.13		INCH/MM		R/A PRESS-FIT RECEPTACLE		
				angles	.XXX±.002/0.XXX±0.051		scale	1:1		product family PwrBlade	
				dr	T. BRUNGARD 10/26/04	size		A 51866-029		sheet 3 of 4	
				enrg	M. GRAY 10/26/04	dwg no					
				chr	M. GRAY 10/26/04	code					
				appd	M. GRAY 10/26/04	sheet					
sheet index	revision sheet										

PRODUCT NUMBER

51866-029__
NOTE: 3

NOTES:

1. DIMENSIONS AND TOLERANCES ARE IN ACCORDANCE WITH ASME Y14.5M, 1994 UNLESS OTHERWISE SPECIFIED.

CONNECTOR NOTES:

2. HOUSING MATERIAL: UL 94 V-0 GLASS FILLED
HIGH-TEMP THERMOPLASTIC
POWER CONTACT MATERIAL: COPPER ALLOY
SIGNAL PIN MATERIAL: COPPER ALLOY

3. PLATING:

51866-029 Singal Pin:30u"/0.76um Au OVER 50u"/1.27um Ni ON THE CONTACT AREA.
AND 100u"/2.54um SnPb PLATING OVER 50u"/1.27um Ni ON THE TERMINATION SECTION.
Power Pin:30u"/0.76um Au OVER 50u"/1.27um Ni ON THE CONTACT AREA,
AND 100u"/2.54um SnPb PLATING OVER 50u"/1.27um Ni ON THE TERMINATION SECTION.

51866-029LF Singal Pin:30u"/0.76um Au OVER 50u"/1.27um Ni ON THE CONTACT AREA.
AND 78u"/2.00um Sn PLATING OVER 50u"/1.27um Ni ON THE TERMINATION SECTION.
Power Pin:30u"/0.76um Au OVER 50u"/1.27um Ni ON THE CONTACT AREA,
AND 78u"/2.00um Sn PLATING OVER 50u"/1.27um Ni ON THE TERMINATION SECTION.

PART NUMBER 51866-029LF MEETS EUROPEAN UNION DIRECTIVE AND OTHER ICOUNTRY REGULATIONS AS DESCRIBED IN GS-22-008.

THE HOUSING WILL WITHSTAND EXPOSURE TO 260° PEAK TEMPERATURE FOR 10 SECONDS IN A WAVE SOLDER APPLICATION WITH A CIRCUIT BOARD.

4. MANUFACTURER'S NAME, P/N, AND DATE CODE TO APPEAR ON THIS SURFACE.

5. PRODUCT SPECIFICATION GS-12-149.
APPLICATION SPECIFICATION BUS-20-067.

6. PACKAGED IN TRAYS.

PCB NOTES:

7. ALL HOLE DIAMETERS ARE FINISHED HOLE SIZE.

8. MOUNTING HOLES, WHERE APPLICABLE, ARE UNPLATED.

9. Ø.0453±.0010 [1.151±0.025] DRILLED HOLES PLATED WITH .0003 [0.008] MIN SnPb OVER .001 [0.03] TO .003 [0.08] Cu PLATING TO ACHIEVE Ø.040±.003 [1.02±.07] HOLE.

10. USE FCI GAM TOOL 43014002 TO APPLY CONNECTOR TO PCB.

11. CONNECTOR KEEP-OUT ZONE.

mat'l code		SEE NOTE 2		tolerances unless otherwise specified		CUSTOMER		A FCI www.fciconnect.com	
lir	ecm no.	dr	date	linear	.XX±.01/0.X±0.3	COPY		title 44S + 18P	
B				projection	.XXX±.005/0.XX±0.13	R/A PRESS-FIT RECEPTACLE		product family PwrBlade	
				angles	.XXX±.0020/0.XXX±0.051	INCH/MM		code 213	
				dr	0°±2°	scale 1:1		size A	
				enrg	T. BRUNGARD 10/26/04	A		51866-029	
				chr	M. GRAY 10/26/04			sheet 4 of 4	
				appd	M. GRAY 10/26/04				
sheet index	revision sheet								

Tous droits strictement réservés. Reproduction ou communication a des tiers interdite sous quelque forme que ce soit sans autorisation écrite du propriétaire. Propriété de c FCI. Droits de reproduction FCI.

FCI

All rights strictly reserved. Reproduction or issue to third parties in any form whatever is not permitted without written authority from the proprietor. Property of FCI. Copyright FCI.

A

A

B

B