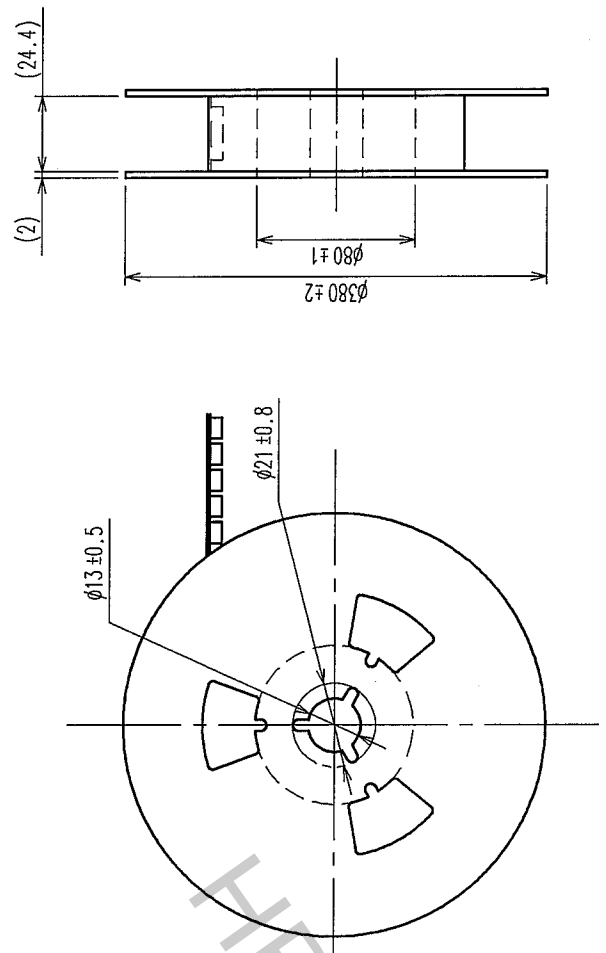
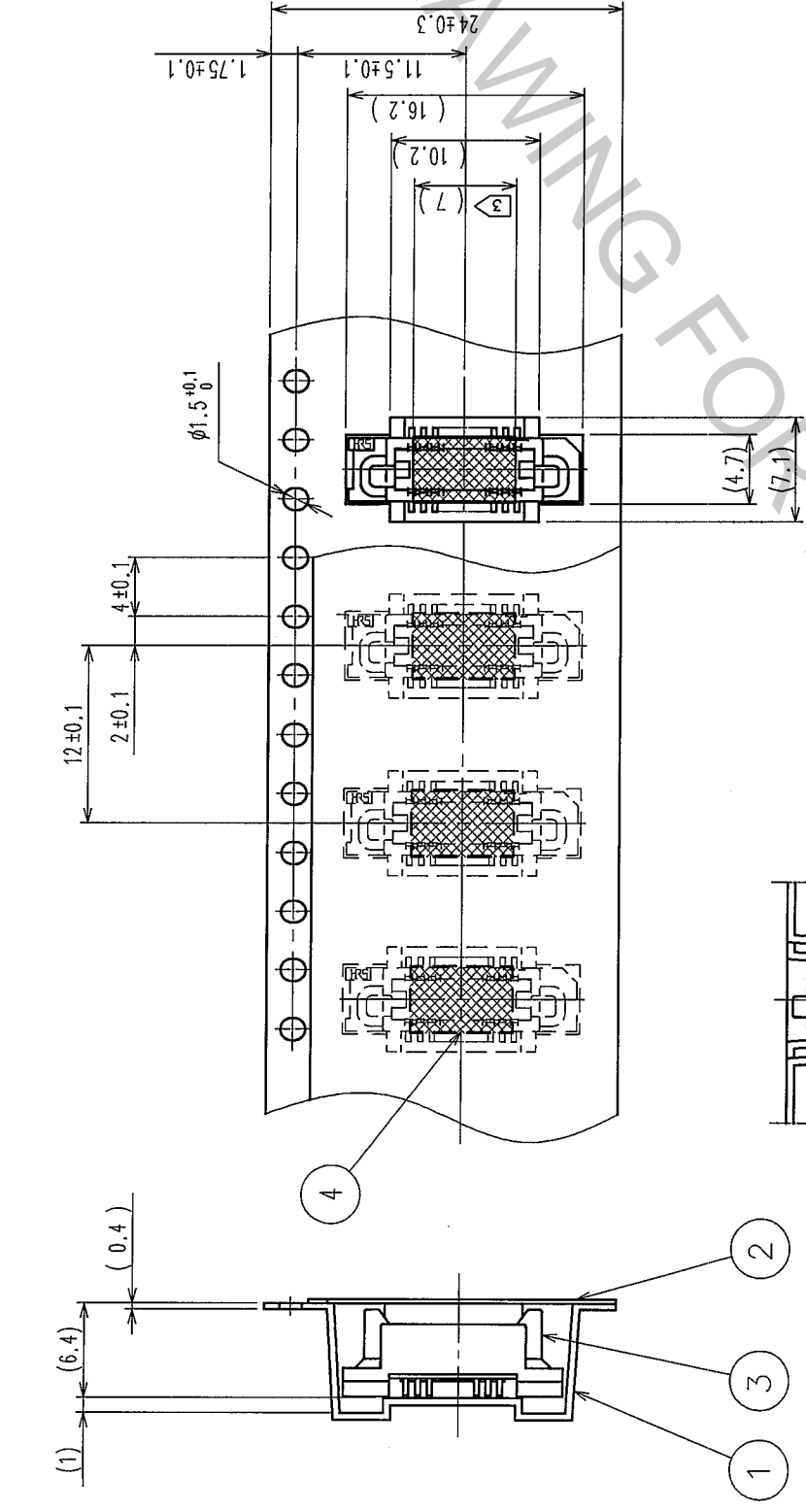
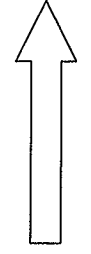
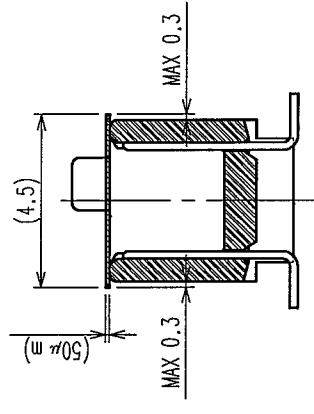


COUNT	DESCRIPTION OF REVISIONS	BY	CHKD	DATE	COUNT	DESCRIPTION OF REVISIONS	BY	CHKD	DATE
△					△				
△					△				
△					△				

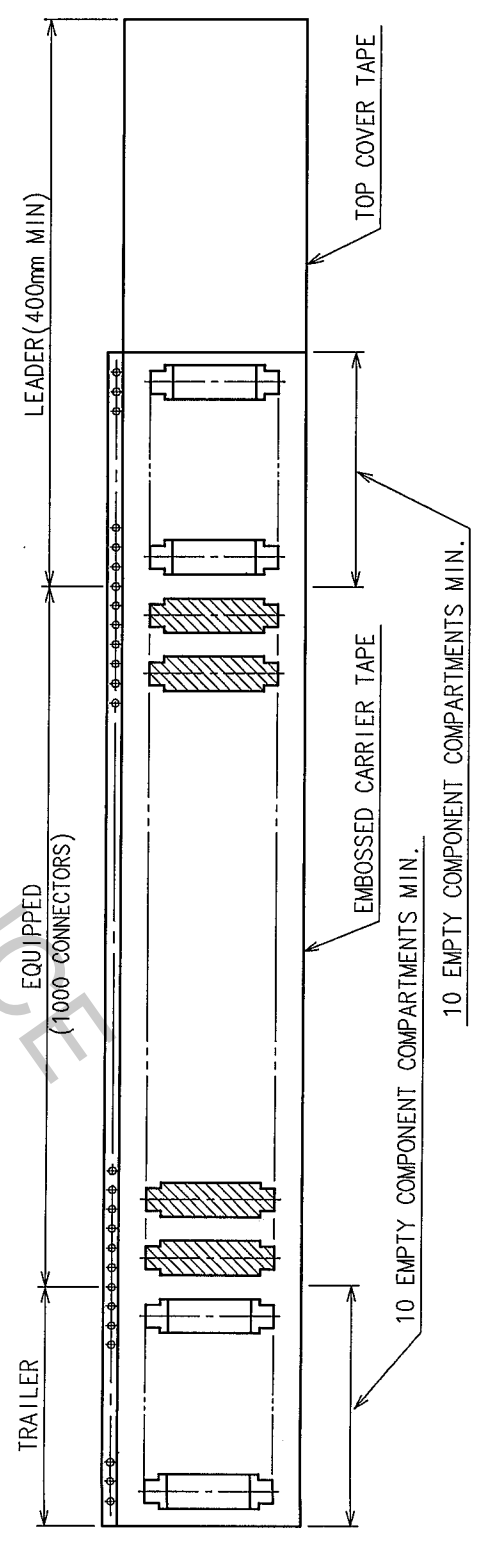
DIRECTION OF UNREELING



REEL DIMENSION(FREE)



DETAIL OF TAPE FOR VACUUM PICKUP(5:1)



- NOTE 1 THE DIMENSIONS IN PARENTHESES ARE FOR REFERENCE.
 2 1 REEL : 1000 CONNECTORS
 [3] REMOVE THE VACUUM PICK-UP TAPE AFTER MOUNTING THE CONNECTOR.

NO.	MATERIAL	FINISH, REMARKS	NO.	MATERIAL	FINISH, REMARKS
2	POLYESTER	TOP COVER TAPE	4	POLYIMIDE	TAPE FOR VACUUM PICKUP
1	POLYSTYRENE	EMBOSSED CARRIER TAPE	3		(CONNECTOR)

CODE NO. (OLD)	CL	DRAWN	DESIGNED	CHECKED	APPROVED	RELEASED
		Y. AOYAGI	K. NAKA	K. OYAMA	H. OKAWA	
		'05.09.15	'05.09.26	'05.09.26	'05.09.26	

DRAWING NO.	PART NO.
EDC3-071315-23	FX6A-20P-0.8SV1(93)

SCALE	UNITS	CODE NO.
2 : 1	mm	CL576-0221-0-93

TO	

