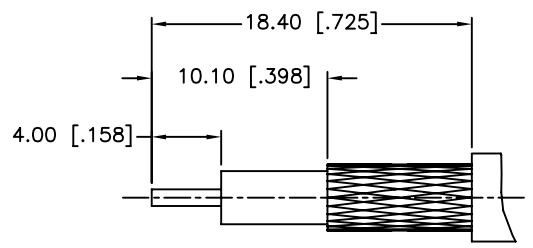
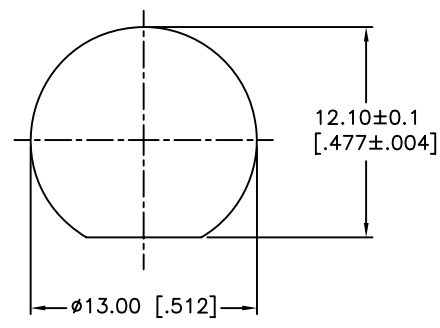


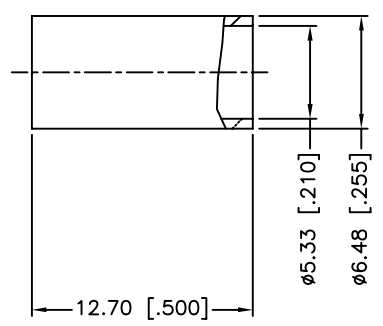
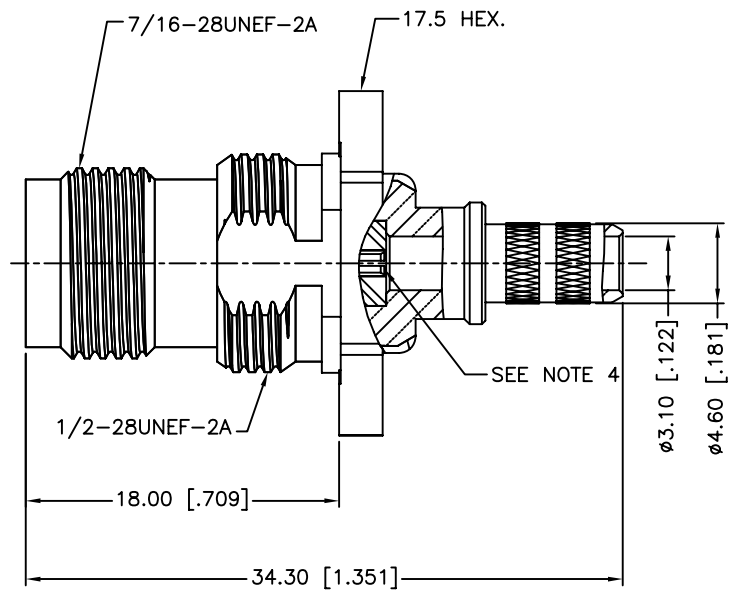
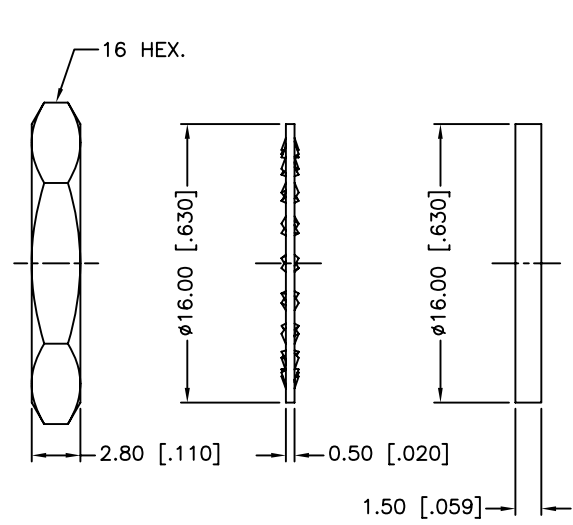
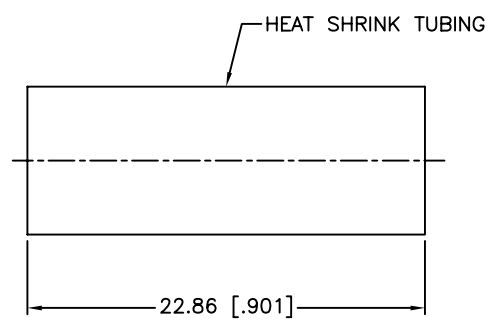
REV.	DATE	ECR NO.	DESCRIPTION
NC	12/08/09	XXXXXX	INITIAL RELEASE



RECOMMENDED  
CABLE STRIPPING DIM'S



RECOMMENDED  
MOUNTING HOLE



1. CRIMPED FERRULE  
HEX CRIMP SIZE .213"
2. MAX. PANEL THICKNESS=3.5 mm
3. IP-67 COMPLIANT
4. CENTER CONTACT TO ACCEPT  $\phi$ .033" TO  $\phi$ .041" PIN [ $\phi$ 0.85 mm TO  $\phi$ 1.05 mm]

QTY	DESCRIPTION	MATERIAL	FINISH	QTY
1	HEAT SHRINK TUBING		WHITE	1
11	HUT HEX	BRASS	NICKEL	1
10	LOCK WASHER	BRASS	NICKEL	1
9	GASKET	RUBBER	RED	1
8	FERRULE	COPPER	NICKEL	1
7	BARREL	BRASS	NICKEL	1
6	GASKET	SILICONE	RED	1
5	CONTACT PIN	PHOSPHOR BRONZE	GOLD	1
4	O-RING	SILICONE	RED	1
3	LOCK RING	BRASS	NICKEL	1
2	INSULATOR	PTFE	NATURAL	1
1	BODY	BRASS	NICKEL	1

UNLESS OTHERWISE SPECIFIED DIMENSIONS ARE IN MILLIMETERS. DIMENSIONS IN [ ] ARE IN INCHES AND FOR CUSTOMER REFERENCE ONLY.

UNLESS OTHERWISE SPECIFIED TOLERANCES FOR MILLIMETERS ARE:  
0.5 - 8mm  $\pm$  0.20mm  
8 - 30mm  $\pm$  0.40mm  
30 - 120mm  $\pm$  0.50mm

UNLESS OTHERWISE SPECIFIED TOLERANCES FOR INCHES ARE:  
.020 - .315 =  $\pm$  0.007"  
.315 - 1.180 =  $\pm$  0.015"  
1.180 - 4.724 =  $\pm$  0.020"

DO NOT SCALE DRAWING

APPROVALS	DATE
DRAWN M.ZHANG	12/08/09
CHECKED	
ISSUED	
SHEET 1 OF 1	
CAD FILE C:/CONNEX/122160-11.DWG	

**Amphenol Connex**

PART DESCRIPTION  
**TNC BULKHEAD CRIMP JACK, IP-67 COMPLIANT  
(FOR RG-58C/U CABLE)**

PART NO. **122160-11**

DWG. NO. 122160-11.DWG	REV. NC	SIZE A	SCALE NA
------------------------	---------	--------	----------