

DWG. NO. SD-56279-001

F

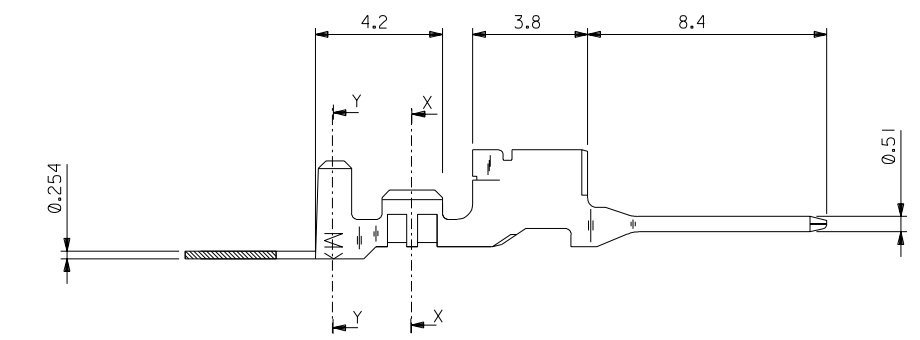
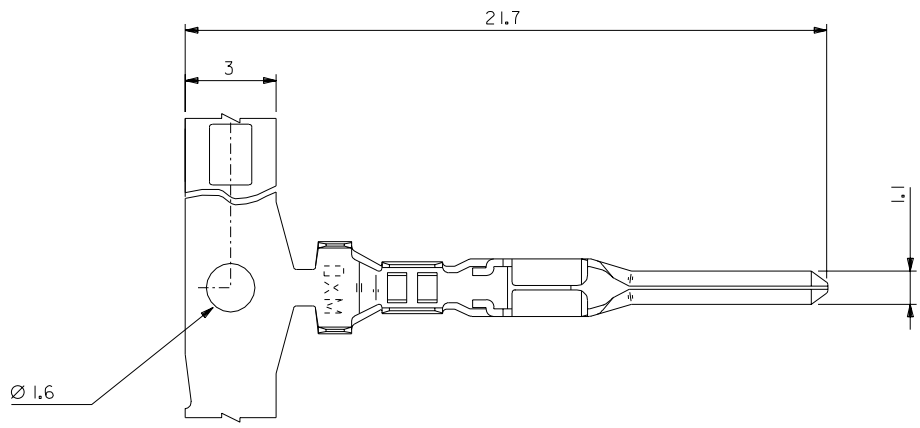
D

V

C

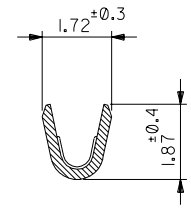
B

DO NOT SCALE DRAWING

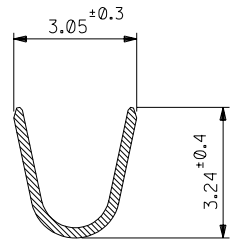


注記  
NOTES

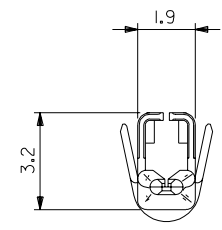
1. 使用材料 : リン青銅, 錫メッキ (t=0.254)  
MATERIAL : PRE-TINNED PHOSPHOR BRONZE (t=0.254)
2. 適合ハウジング : 51346シリーズ  
APPLICABLE HOUSING : 51346 SERIES



SECT. X-X



SECT. Y-Y



56279-8100	バラ状 LOOSE
56279-8000	連鎖状 CHAIN
MATERIAL NO.	端子形状 FORM

64 NO. DRAWN: CHK: APPR:	63 NO. DRAWN: CHK: APPR:	62 NO. DRAWN: CHK: APPR:	61 NO. DRAWN: CHK: APPR:	RELEASED 60 NO. J2003-2363 DRAWN: H.II '03/03/14 CHK: K.ASAKAWA APPR: T.YAMAGUCHI	MATERIAL 材料  注記参照 SEE NOTES	GENERAL TOLERANCES: (UNLESS SPECIFIED) 一般公差		56279-8*00		MODEL NO.	DIMENSIONS: <input type="checkbox"/> mm <input type="checkbox"/> INCH <input checked="" type="checkbox"/> mm ONLY		SHT	REV
						10 UNDER 未満	±0.2	DRAWN BY & DATE H.II '03/03/14	TITLE: 3.3 mm WIRE TO WIRE CONN. PLUG TERMINAL					
					FINISH 仕上げ  //	10 OVER 30 UNDER 以上 未満	±0.25	CHECKED BY & DATE K.ASAKAWA '03/03/14	MOLEX INCORPORATED		MATERIAL NO.	DRAWING NO.	SHEET NO.	SIZE
						WIRE RANGE 適用電線範囲 AWG #22 - #26	30 OVER 以上	±0.3	APPROVED BY & DATE T.YAMAGUCHI '03/03/14	CAD FILENAME SD56279001.S01	SEE CHART	SD-56279-001	1 OF 1	B
				0	INS. RANGE 被覆外径 Ø 1.7MAX.			ANGLE 角度 ±3°	THIS DRAWING CONTAINS INFORMATION THAT IS PROPRIETARY TO MOLEX INCORPORATED AND SHOULD NOT BE USED WITHOUT WRITTEN PERMISSION.				EN-02J(097) MXJ-54	

F  
E  
D  
C  
B  
A