

THIS DRAWING IS UNPUBLISHED.

RELEASED FOR PUBLICATION

© COPYRIGHT - BY TYCO ELECTRONICS CORPORATION. ALL RIGHTS RESERVED.

LOC
CM
DIST
00

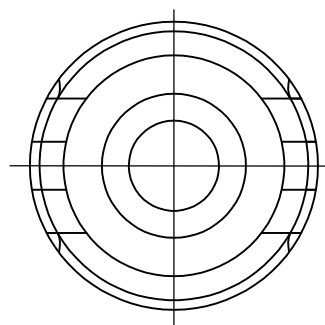
REVISIONS

P	LTR	DESCRIPTION	DATE	DWN	APVD
	H1	REVISED PER ECO-06-021983	15SEP06	KW	DC
	H2	REVISED PER ECO-09-021826	07SEP09	KK	AEG

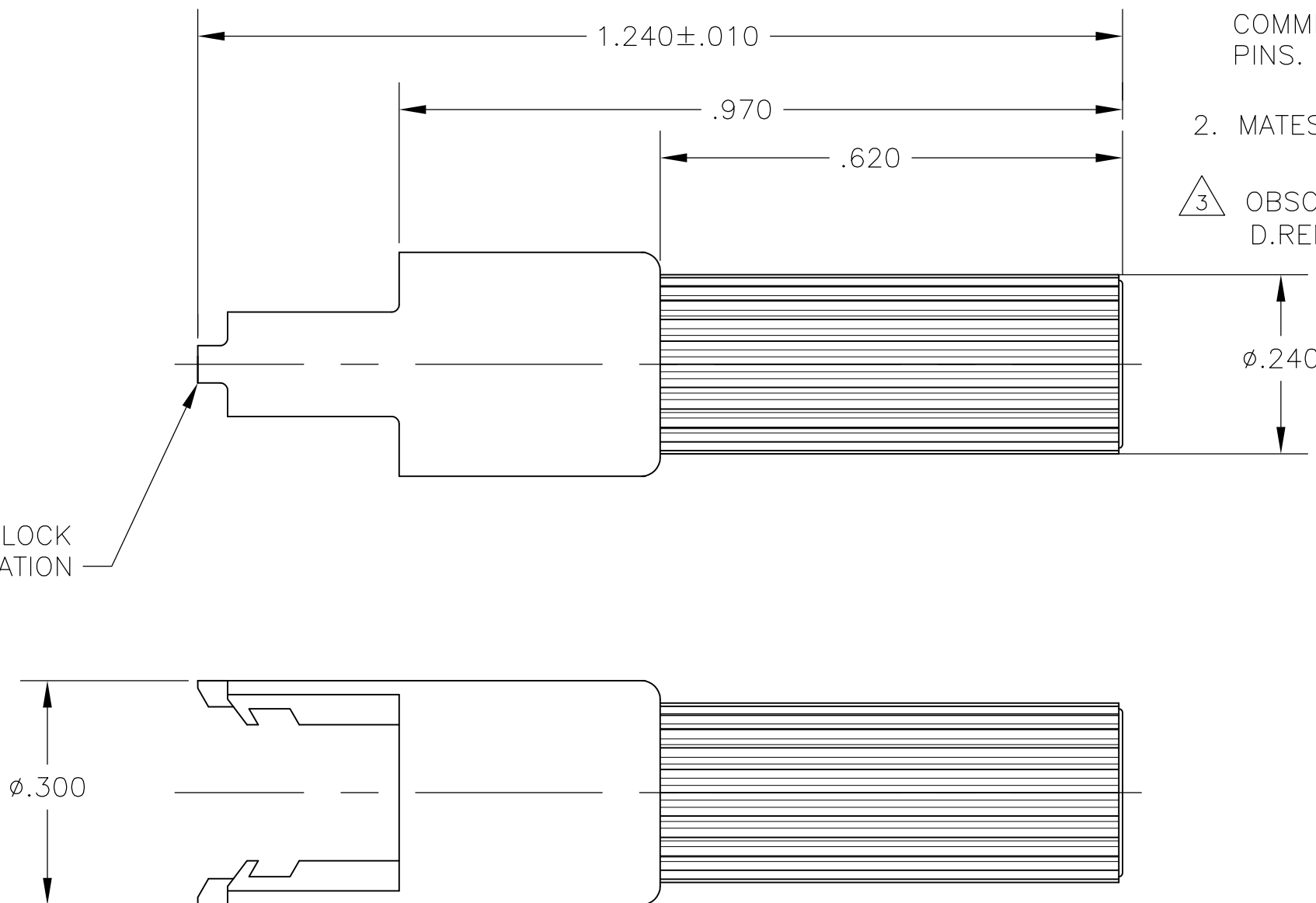
1. TO BE USED WITH APPROPRIATE COMMERCIAL MATE-N-LOK(TM) PINS.

2. MATES WITH PLUG 480349.

3 OBSOLETE PARTS: OBSOLETE CIS STREAMLINING PER D.RENAUD/D.SINISI



POSITIVE LOCK INDENTIFICATION



3	OBSOLETE	COLOR	PART NUMBER
		BLACK	1-480351-9
		GREEN	1-480351-5
		RED	1-480351-2
		NATURAL	1-480351-0

THIS DRAWING IS A CONTROLLED DOCUMENT.		DWN K. WHITAKER 15SEP2006	Tyco Electronics Corporation Harrisburg, PA 17105-3608		
DIMENSIONS: INCHES	TOLERANCES UNLESS OTHERWISE SPECIFIED:	CHK D. COLEY 15SEP2006	NAME		
	0 PLC ±	APVD D. COLEY 15SEP2006	CAP, SINGLE CIRCUIT, COMMERCIAL MATE-N-LOK(TM)		
	1 PLC ±	PRODUCT SPEC	-		
	2 PLC ±.005	APPLICATION SPEC	SIZE	CAGE CODE	DRAWING NO
	3 PLC ±				
	4 PLC ±	WEIGHT	A3 00779 C-480351		
	ANGLES ± 0°30'		RESTRICTED TO	-	
MATERIAL NYLON,94V-2	FINISH -	CUSTOMER DRAWING			
		SCALE	SHEET	REV	
		5:1	1 OF 1	H2	