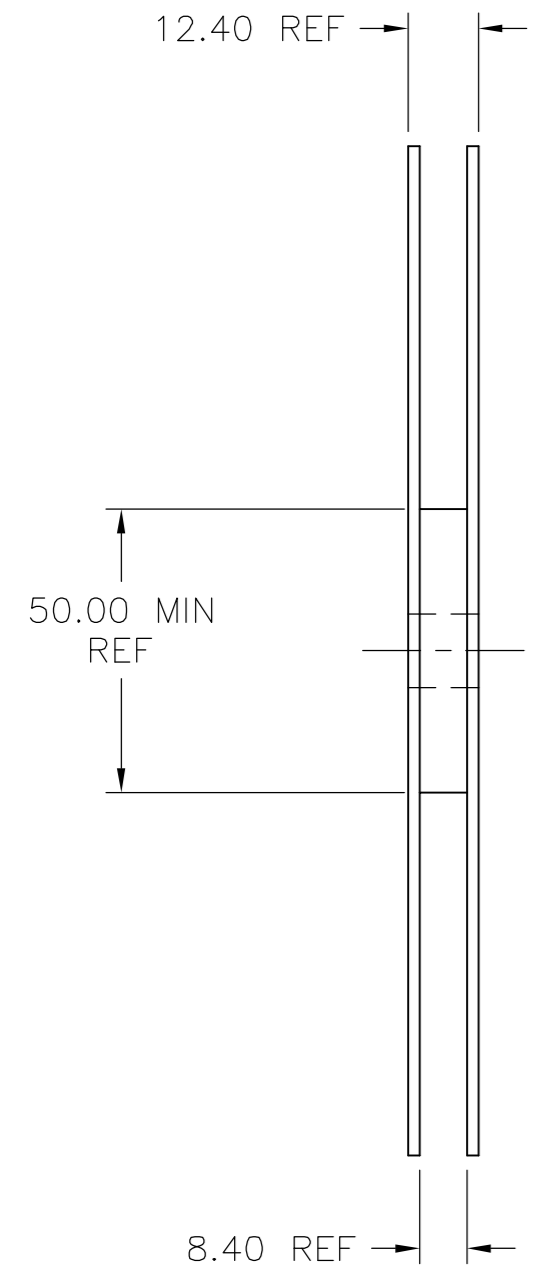


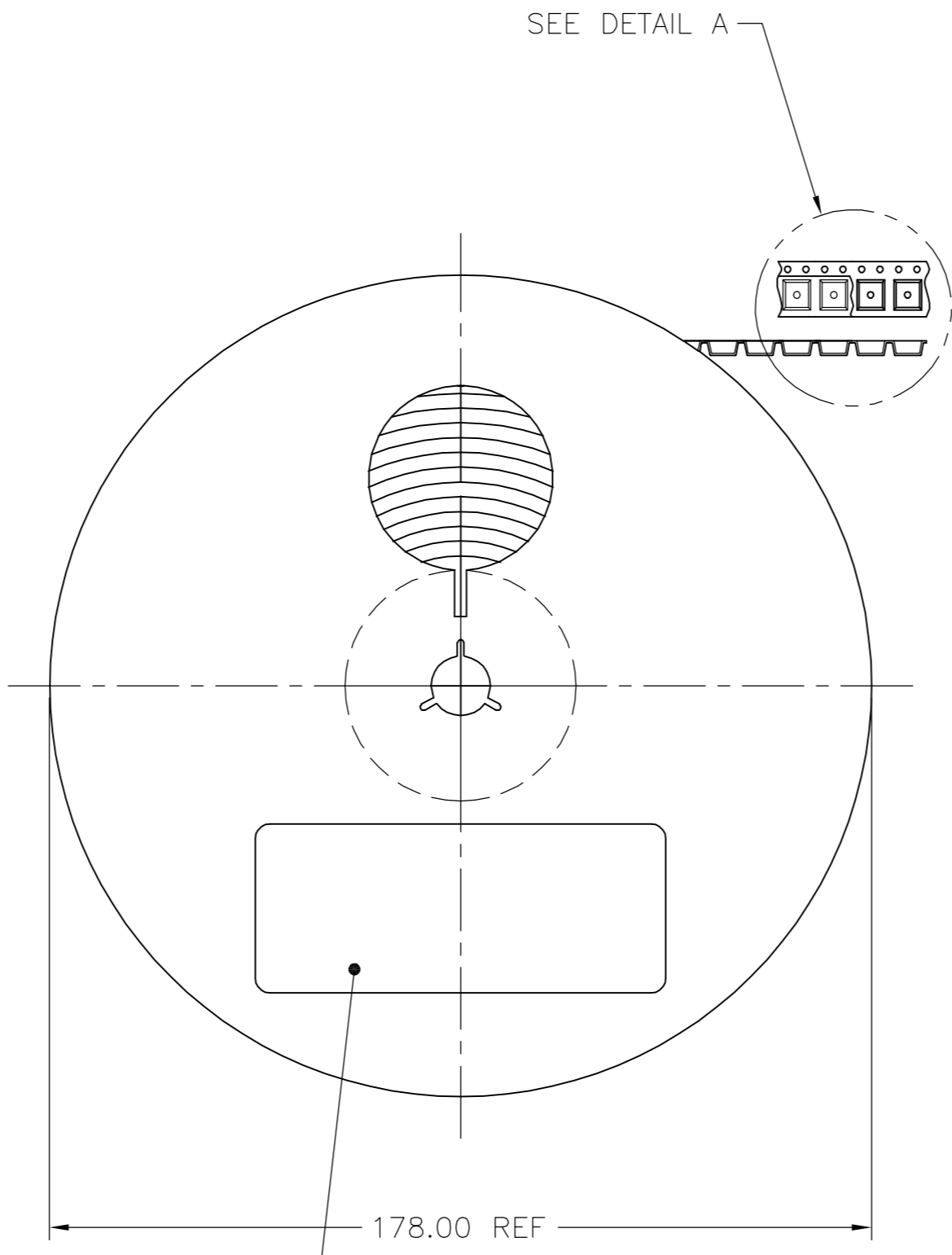
THIS DRAWING IS UNPUBLISHED. RELEASED FOR PUBLICATION
 © COPYRIGHT BY TYCO ELECTRONICS CORPORATION. ALL RIGHTS RESERVED.

LOC	DIST	REVISIONS			
P	LTR	DESCRIPTION	DATE	DWN	APVD
AJ	17	C	REVISED PER EC OS14-0016-04	27JAN05	BM KW

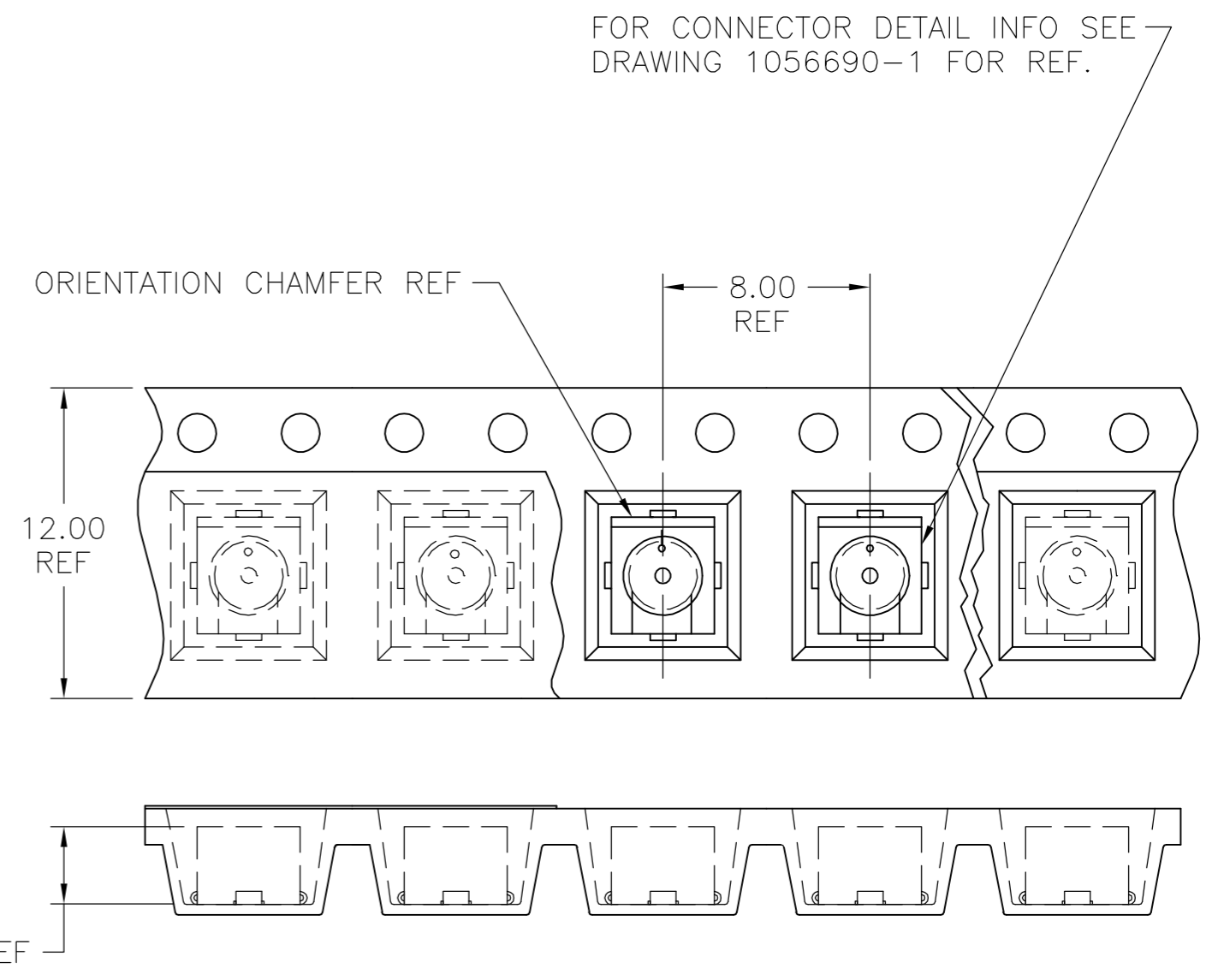
1. TAPE, REEL, AND TAPING SHALL MEET THE REQUIREMENTS OF EIA-481-1.
2. EMBOSSED TAPE SHALL BE CONDUCTIVE TYPE.
3. FOR PART ORIENTATION IN TAPE SEE DETAIL A.
4. REEL SHALL CONTAIN 600 PIECES.
5. REEL IDENTIFICATION LABEL SHALL BE PRINTED WITH REEL P/N, MANUFACTURER, QTY, AND TAPING DATE AS A MINIMUM.



TAPE NOT SHOWN IN THIS VIEW FOR CLARITY



5 REEL IDENTIFICATION LABEL REF



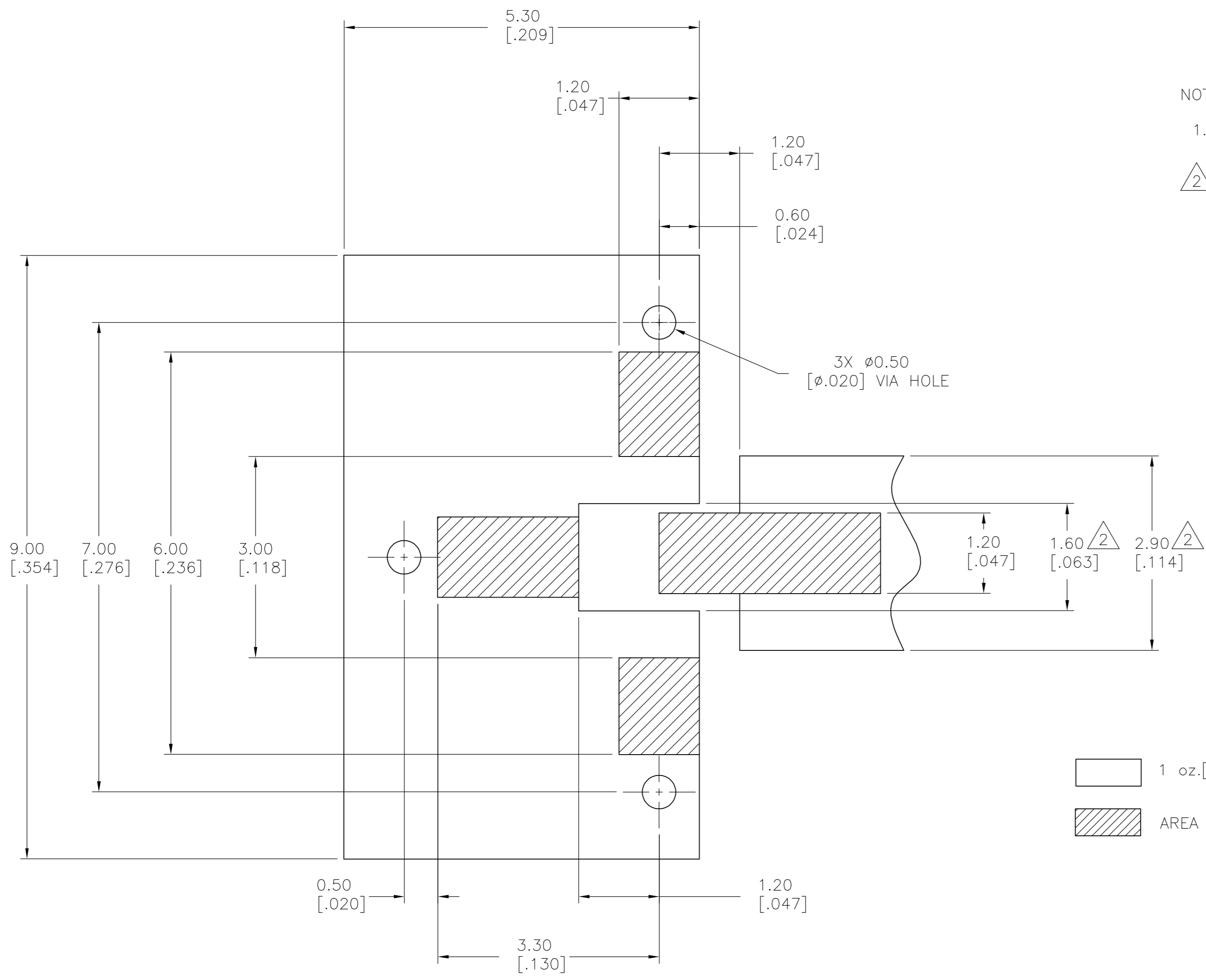
DETAIL A
SCALE 4:1

1254242-1
PART NUMBER

THIS DRAWING IS A CONTROLLED DOCUMENT.		DWN <i>PCV</i> 6/3/94	tyco Tyco Electronics Corporation	
DIMENSIONS: mm [INCHES]		CHK	Harrisburg, Pa 17105-3608	
TOLERANCES UNLESS OTHERWISE SPECIFIED:		APVD <i>PCV</i> 10/12/94	NAME	
0 PLC ± -	1 PLC ± -	PRODUCT SPEC	TAPE AND REEL PACKAGING, OSMT	
2 PLC ± -	3 PLC ± -	APPLICATION SPEC	PLUG, 178mm REEL (600 PARTS PER REEL)	
4 PLC ± -	ANGLES ± -	WEIGHT	SIZE	RESTRICTED TO
MATERIAL	FINISH	WEIGHT	A2 00779	C=1254242
		CUSTOMER DRAWING	SCALE 3/4:1	SHEET 1 OF 2

THIS DRAWING IS UNPUBLISHED. RELEASED FOR PUBLICATION
 © COPYRIGHT BY TYCO ELECTRONICS CORPORATION. ALL RIGHTS RESERVED.

LOC	DIST	REVISIONS			
P	LTR	DESCRIPTION	DATE	DWN	APVD
AJ	17	SEE SHEET 1	-	-	-



NOTES (FOR PCB LAYOUT ONLY):

- PRINTED WIRING BOARD MATERIAL: GLASS EPOXY. FR-4 OR SIMILAR, RELATIVE PERMITTIVITY: 4.8oz. COPPER CLAD BOTH SIDES.
- THESE DIMENSIONS VALID FOR 1.60[.062] BOARD THICKNESS.

1 oz.[.0014] COPPER
 AREA FREE OF SOLDER MASK

RECOMMENDED MOUNTING PATTERN FOR MICROSTRIP LINE

THIS DRAWING IS A CONTROLLED DOCUMENT.		DWN <i>PCW</i> 6/3/94	tyco Tyco Electronics Corporation	
DIMENSIONS: mm[INCHES]		CHK	Harrisburg, Pa 17105-3608	
TOLERANCES UNLESS OTHERWISE SPECIFIED:		APVD <i>PCW</i> 10/12/94	NAME	
0 PLC ± -		PRODUCT SPEC	TAPE AND REEL PACKAGING, OSMT	
1 PLC ± -		APPLICATION SPEC	PLUG, 178mm REEL (600 PARTS PER REEL)	
2 PLC ± -		WEIGHT	SIZE	RESTRICTED TO
3 PLC ± -			A2	-
4 PLC ± -		CUSTOMER DRAWING	CAGE CODE	DRAWING NO
ANGLES ± -			00779	C=1254242
FINISH		SCALE	SHEET	REV
		20:1	2 OF 2	C