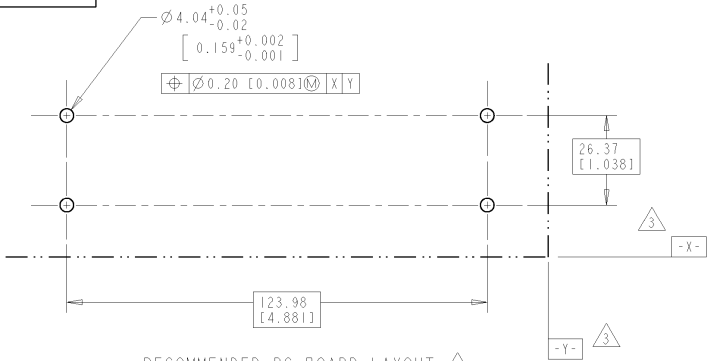
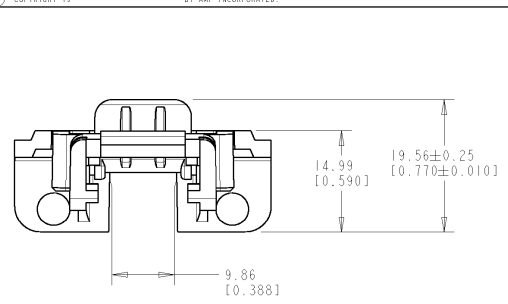
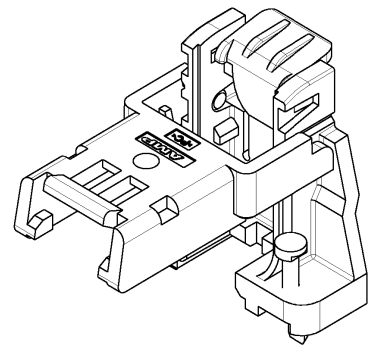
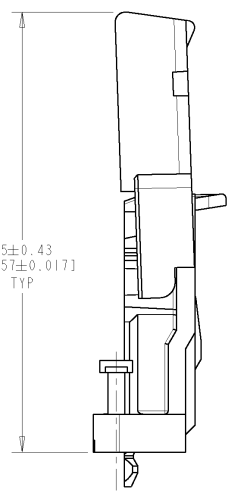
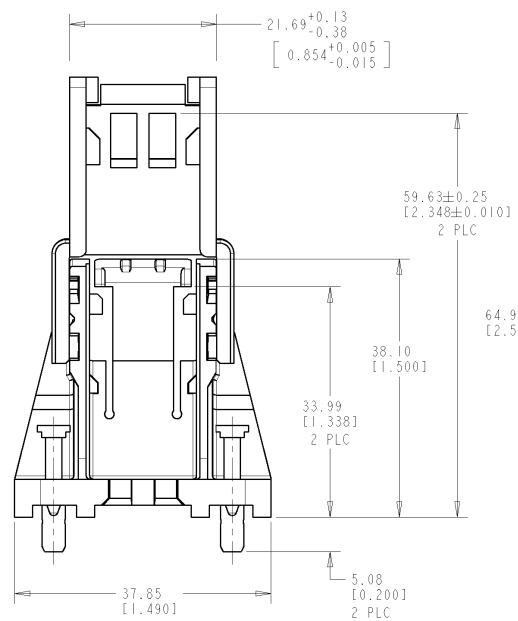


LOC	DIST	REV	DESCRIPTION	DATE	BY	APPD
AD	14	0	RELEASED	15SEP98	RB	EL
		A	REVISED PER 0651-0241-98	29OCT98	RB	EL
		B	REVISED PER 0518-0084-99	03NOV99	JM	DS

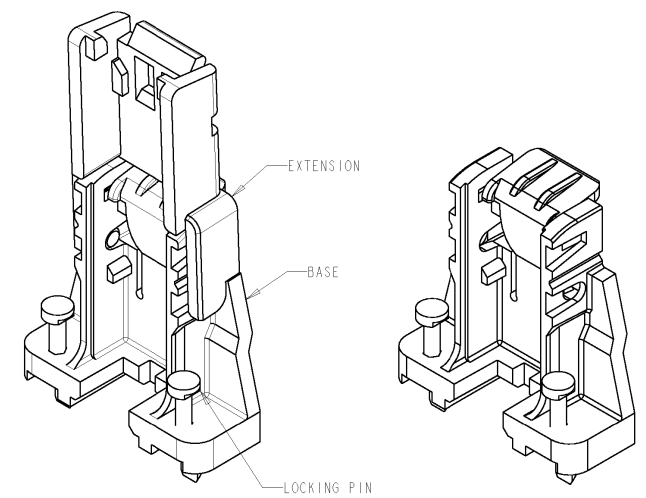


RECOMMENDED PC BOARD LAYOUT SCALE 1:1

- ⚠ ALL MOLDED COMPONENTS- UL 94-V0 RATED POLYCARBONATE, BLACK.
- ⚠ RECOMMENDED PC BOARD THICKNESS OF 1.57±0.15 [0.062±0.006].
- ⚠ DATUM AND BASIC DIMENSIONS ESTABLISHED BY CUSTOMER.
- ⚠ BULK PACKAGED IN PARTITIONED BOXES IN THE EXTENDED POSITION.
- ⚠ EACH PROCESSOR INSTALLATION REQ'S TWO RETENTION MODULES.



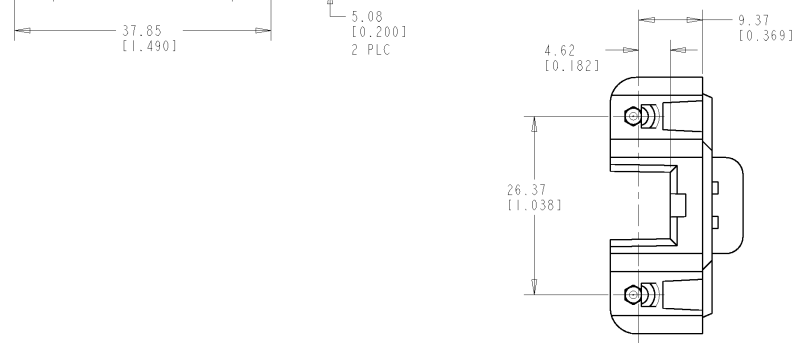
FOLDED POSITION



145380-1 AND -2 EXTENDED POSITION

145380-3 AND -4

DESCRIPTION	PART NUMBER
2 MODULES WITH LOCKING PINS, NO EXTENSIONS	145380-4
1 MODULE WITH LOCKING PINS, NO EXTENSIONS	145380-3
2 MODULES WITH LOCKING PINS	⚠ 145380-2
1 MODULE WITH LOCKING PINS	⚠ 145380-1



26.37 [1.038]

☐ OF PCB HOLES

<small>THIS DRAWING IS A CONTROLLED DOCUMENT FOR AMP INCORPORATED. IT IS SUBJECT TO CHANGE AND THE CONTROLLING ENGINEERING ORGANIZATION SHOULD BE CONTACTED FOR THE LATEST REVISION.</small>		DWN: B BROWN 15SEP98 CHK: E LOTTER 15SEP98 DPO: V RUMINSKI 15SEP98	<b>AMP</b> AMP Incorporated Harrisburg, PA 17105-3608
DIMENSIONS: mm [INCHES]	TOLERANCES UNLESS OTHERWISE SPECIFIED: 0 PLC ± 1 PLC ±0.13 (0.005) 2 PLC ± 3 PLC ± 4 PLC ± ANGLES ° ±	NAME: UNIVERSAL RETENTION MODULE ASSEMBLY KIT, PIN FASTENER PRODUCT SPEC: 108-1826 APPLICATION SPEC:	SIZE: A2 CODE CODE: 00779 DRAWING NO: C-145380 RESTRICTED TO:
MATERIAL:	FINISH:	WEIGHT:	CUSTOMER DRAWING
		SCALE: 2:1	SHEET 1 OF 1 REV B