

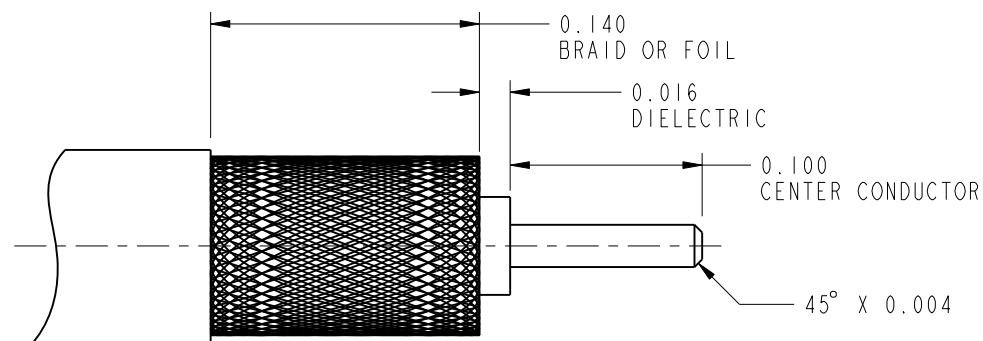
NOTES:

1. MATERIALS AND FINISHES:
 BODY - STAINLESS STEEL, GOLD PLATING
 CONTACT - BERYLLIUM COPPER, GOLD PLATING
 INSULATOR - PTFE
2. ELECTRICAL:
 A. IMPEDANCE: 50 OHM
 B. FREQUENCY RANGE: DC - 6 GHz
3. MECHANICAL:
 A. DURABILITY: 500 CYCLES MIN.
 B. TEMPERATURE RANGE: -65° C TO +165° C
4. PACKAGING:
 A. QUANTITY: SINGLE PACK
 B. MARKING: BAG TO BE MARKED
 "AMPHENOLRF, 901-9202-2A, AND DATE CODE"

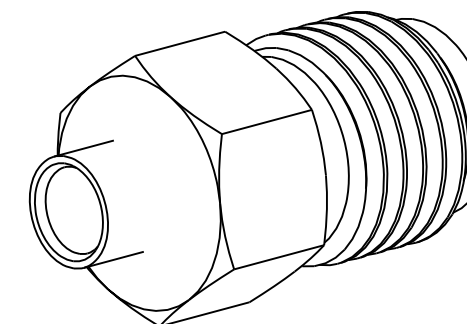
5 SHOWS CALE ENTRY DIMENSIONS

6. CABLE ASSEMBLY INSTRUCTIONS:
 A. STRIP CABLE AS SHOWN
 B. SOLDER CENTRE CONTACT TO CABLE CENTER CONDUCTOR
 INSERT CABLE WITH CENTER CONTACT INTO BODY.
 C. SOLDER OUTER CONDUCTOR OF CABLE TO BODY.

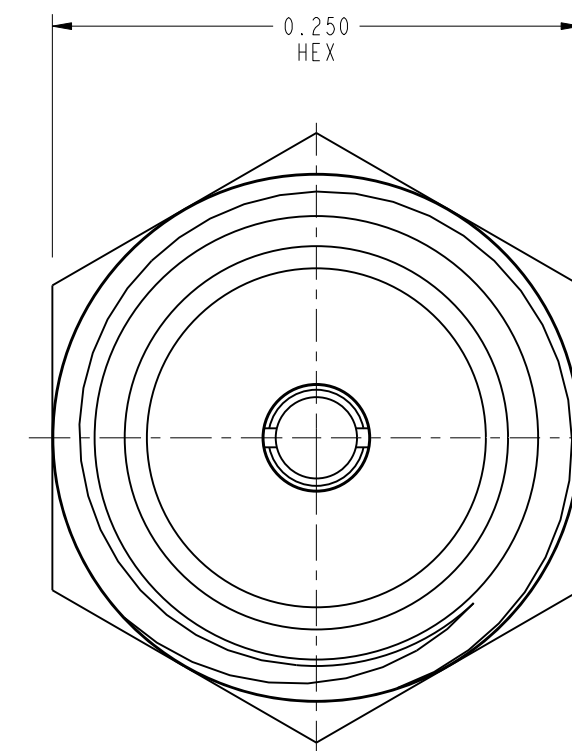
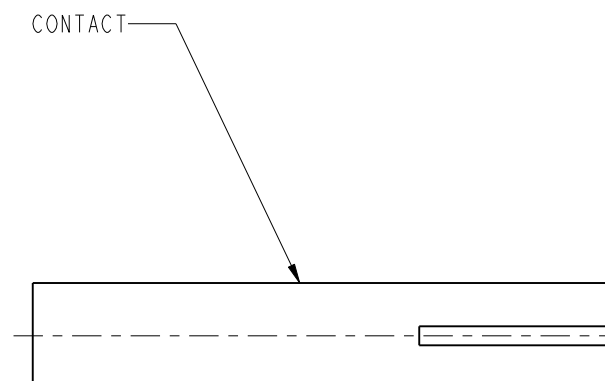
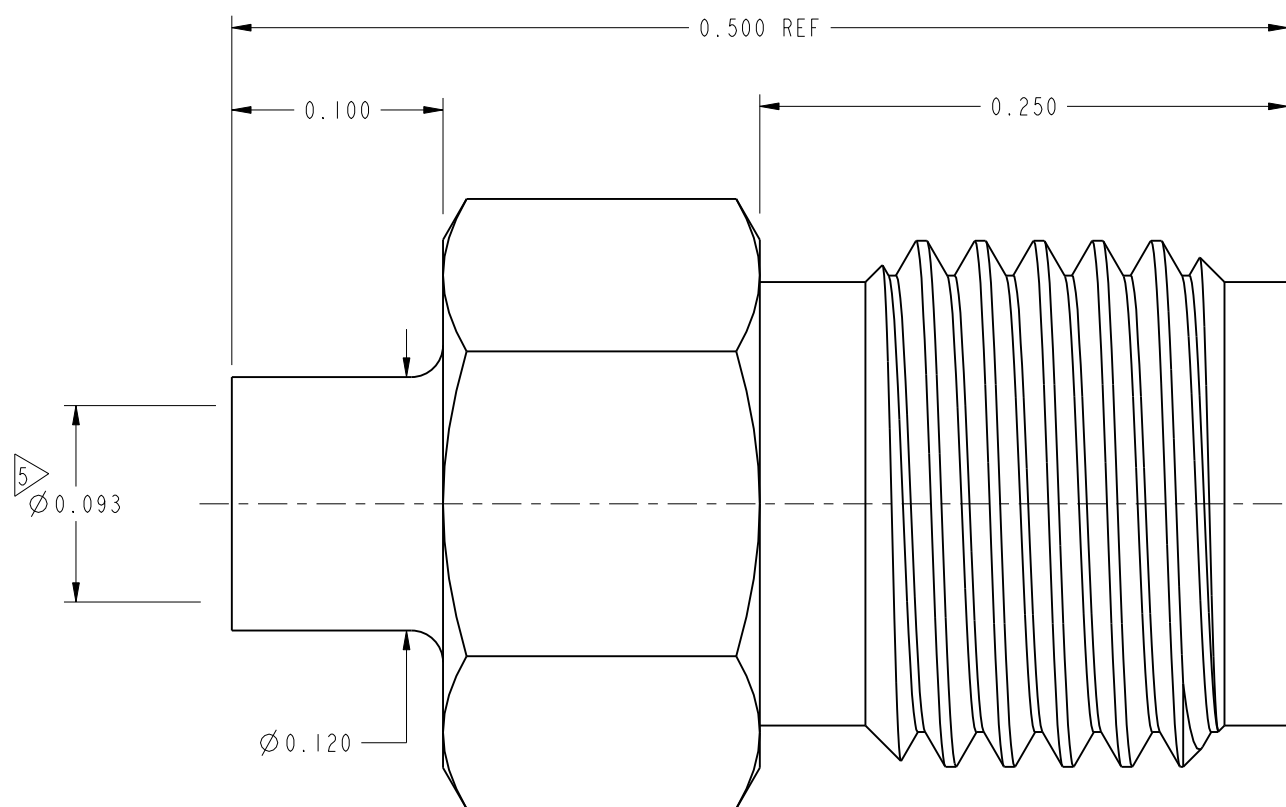
901-9202-2A		REVISIONS			
DRAWING NO.	REV	DESCRIPTION	DATE	ECO	APPR
THIRD ANGLE PROJ.	A	SEE SHEET 1	--	--	S.P
	F	SEE SHEET 1	1/18/10	47920	KR



RECOMMENDED CABLE STRIPPING DIMENSIONS



SCALE 5.000



CUSTOMER OUTLINE DRAWING

ALL OTHER SHEETS ARE FOR INTERNAL USE ONLY

UNLESS OTHERWISE SPECIFIED, DIMENSIONS ARE IN INCHES AND TOLERANCES ARE: 2 PLACE DECIMAL ±.015 (0,381 mm) 3 PLACE DECIMAL ±.005 (0,127 mm) ANGLES ± 1°	MATERIAL SEE NOTES	DRAWN KARTHIK R	DATE 15-Dec-09	TITLE SMA CONNECTOR, SOLDER TYPE JACK FOR .085 CUJAK CABLE	Amphenol RF Danbury, CT, USA Tainan, Taiwan Shenzhen, China www.amphenolrf.com		
	REFERENCE EAR #3369	ENGINEER KARTHIK R	DATE 15-Dec-09				
NOTICE - These drawings, specifications, or other data (1) are, and remain the property of Amphenol Corp. (2) must be returned upon request; and (3) are confidential and not to be disclosed to any person other than those to whom they are given by Amphenol Corp. The furnishing of these drawings, specifications, or other data by Amphenol Corp., or to any other person to anyone for any purpose is not to be regarded by implication or otherwise in any manner licensing, granting rights or permitting such holder or any other person to manufacture, use or sell any product, process or design, patented or otherwise, that may in any way be related to or disclosed by said drawings, specifications, or other data.	CONFIGURATION LEVEL: Prototype	APPROVED K. CAPOZZI	DATE 12/15/09	CODE ID 74868	DWG SIZE B	DRAWING NO. 901-9202-2A	REV F
							SCALE: 11.0:1 SHEET 2 OF 2