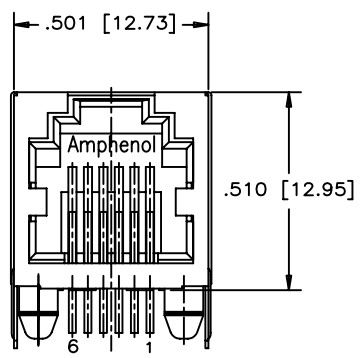
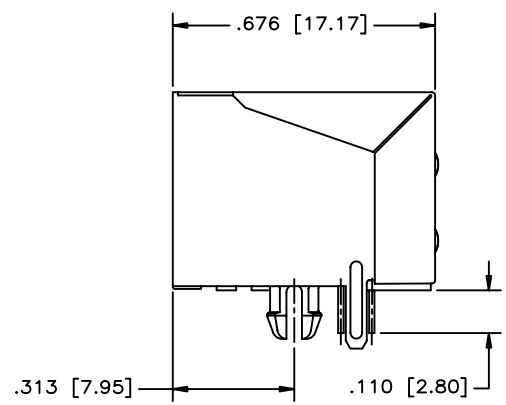


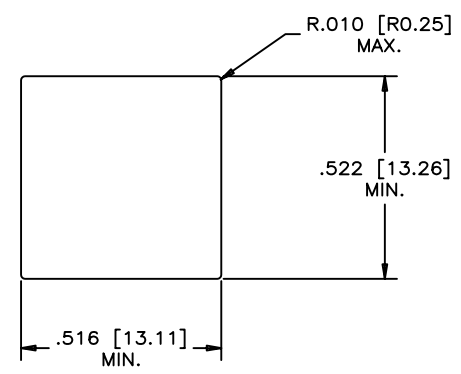
REVISIONS				
SYM	ZONE	ECN, ERN NO.	DATE	APPRD.
A		PROPOSAL	2005/04/08	



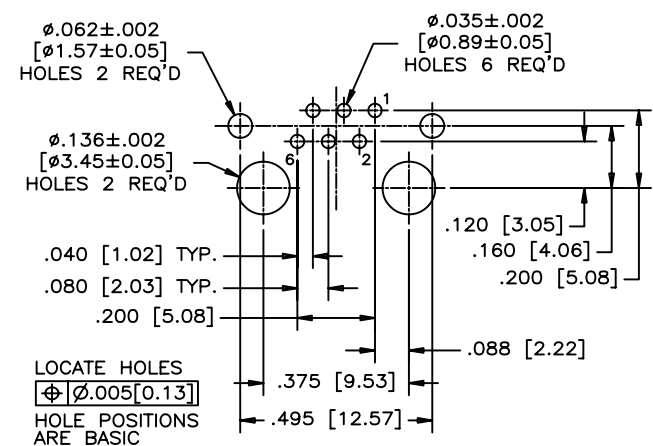
FRONT VIEW



SIDE VIEW



RECOMMENDED PANEL CUTOUT



RECOMMENDED P.C.B. LAYOUT
(COMPONENT SIDE OF BOARD)

ELECTRICAL

- VOLTAGE RATING: 125 VAC RMS MAX.
- CURRENT RATING: 1.5 AMPS MAX.
- CONTACT RESISTANCE: 30 MILLIOHMS MAX.
- INSULATION RESISTANCE: 500 MEGAOHMS MIN.
- DWV: 1000VAC RMS 60 HZ , 1 MIN.

MECHANICAL

- MATING DURABILITY: 500 CYCLES MIN.
- PCB THICKNESS: .062"
- PCB RETENTION PRE-SOLDER: 1.0 LB MIN.
- PCB RETENTION POST-SOLDER: 10.0 LB MIN.

ENVIRONMENTAL

- STORAGE: -25 °C TO 80°C
- OPERATION: 0°C TO 70°C

REGULATORY

- UL AND CSA COMPLIANT.
- MEETS FCC PART 68 REQUIREMENTS

MATERIALS:

PLASTIC HOUSING: HIGH TEMPERATURE THERMOPLASTIC
UL FLAMMABILITY 94V-0.
SOLDER REFLOW PROCESS COMPATIBLE

CONTACT: PHOSPHOR BRONZE, GOLD PLATED ON MATING AREA
OVER NICKEL, AND MATTE TIN ON TAILS.

CONTACT PLATING: 50 MICROINCHES [1.27 MICRONS] MINIMUM NICKEL.
50 MICROINCHES [1.27 MICRONS] MINIMUM GOLD ON MATING SURFACES.
100 MICROINCHES [2.54 MICRONS] MINIMUM MATTE TIN ON CONTACT TAILS.

SHIELD: COPPER ALLOY; NICKEL PLATED

AMPHENOL PART NUMBER: RJE01-665-01

THIS DOCUMENT CONTAINS PROPRIETARY INFORMATION AND SUCH INFORMATION
MAY NOT BE DISCLOSED TO OTHERS FOR ANY PURPOSE OR USED FOR MANUFACTURING
PURPOSES WITHOUT WRITTEN PERMISSION FROM AMPHENOL CANADA CORP.

DRAWN PAUL WANG	DATE 05/04/08	Amphenol Canada Corp.		
DESIGNED				
CHECKED		TITLE HIGH SPEED MODULAR JACK SINGLE PORT, 6 POSITIONS, 6 CONTACTS, WITH SHIELD - RoHS COMPLIANT		
I. E. APPRD.				
Q. A. APPRD.				
DWG. APPRD.				
ENG. REL. NO.		DWG DRAWING NO.	P-RJE01-665-01	REV. A
REF. EAR 12712				
DIMENSIONS ARE IN INCHES [mm]	CODE ID. NO. 03554	SCALE	WT. -----	SURF. -----
				SHEET 1 of 1