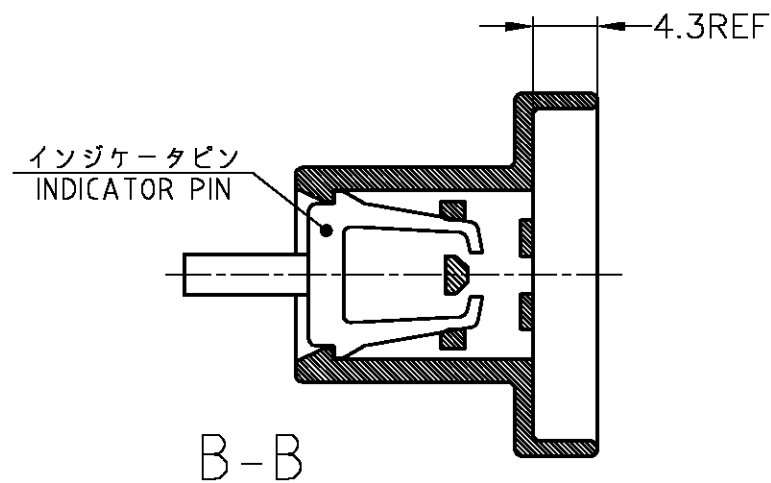
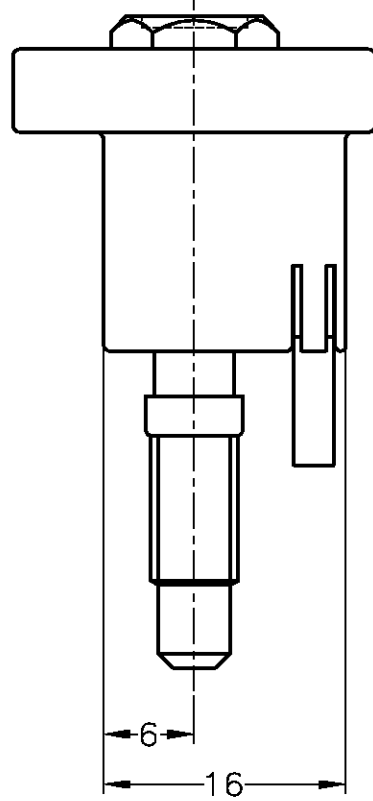
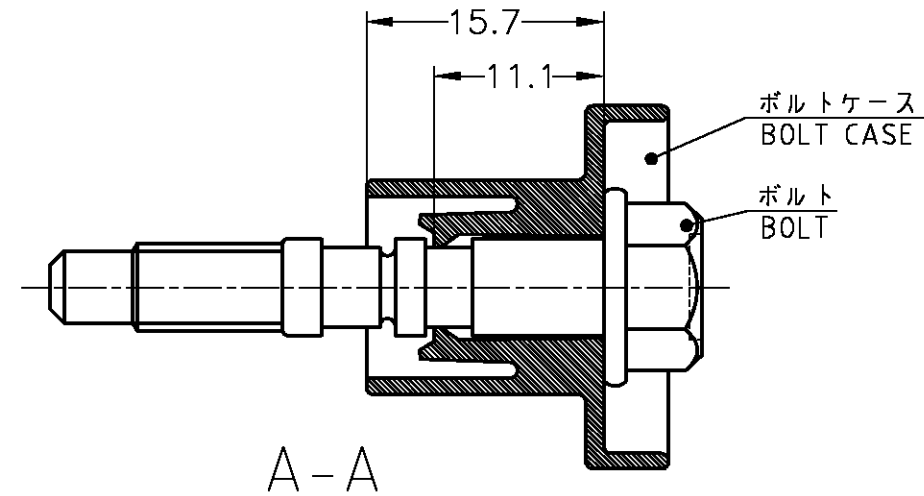
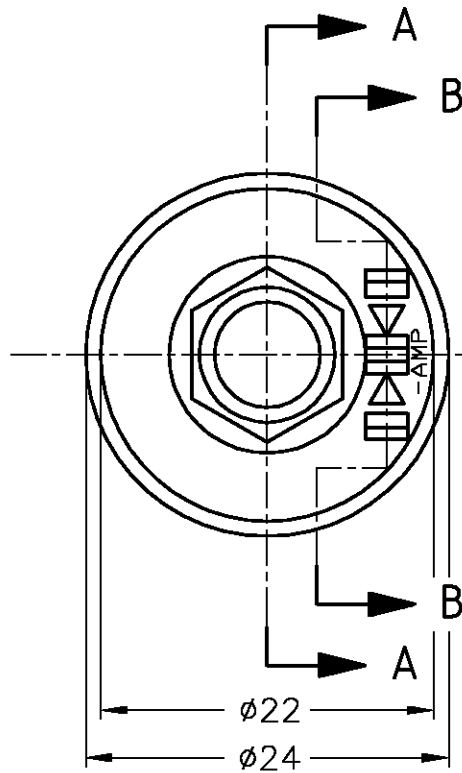
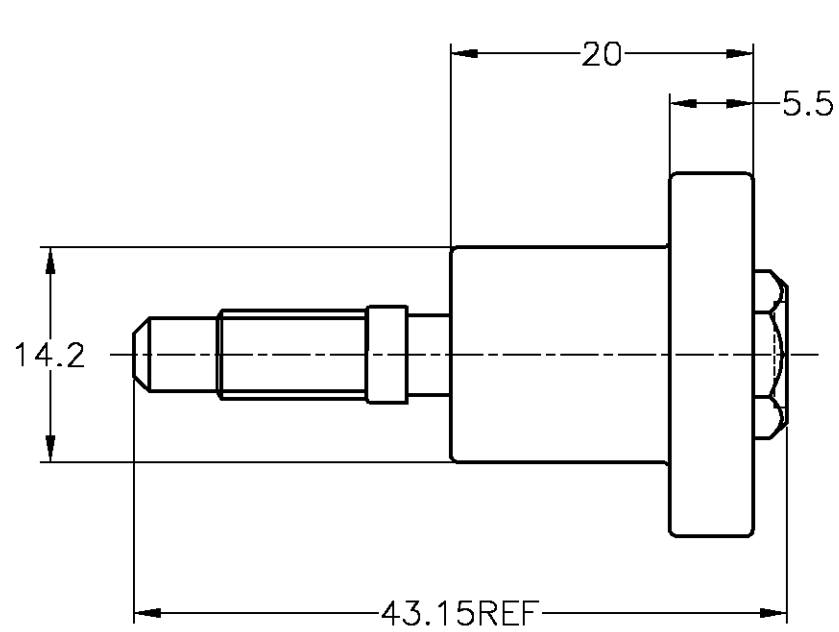


THIS DRAWING IS UNPUBLISHED. RELEASED FOR PUBLICATION  
 © COPYRIGHT BY TYCO ELECTRONICS CORPORATION. ALL RIGHTS RESERVED.

LOC	DIST	REVISIONS					
		P	LTR	DESCRIPTION	DATE	DWN	APVD
J	—	B	REVISED	ECR-05-016519	28FEB08	TS	KB



177653-2	黒 BLACK	オレンジ色 ORANGE
177653-1	白 NATURAL	オレンジ色 ORANGE
型番 PART NUMBER	ボルトケース色 BOLT CASE COLOR	インジケータピン色 INDICATOR PIN COLOR

THIS DRAWING IS A CONTROLLED DOCUMENT.

DIMENSIONS:	TOLERANCES UNLESS OTHERWISE SPECIFIED:
単位: 概 mm	一般公差
	0 PLC ±
	1 PLC ±
	2 PLC ±
	3 PLC ±
	4 PLC ±
	ANGLES ±

TOLERANCES UNLESS OTHERWISE SPECIFIED:	
10 <sub>μ</sub>	±0.2
30 <sub>μ</sub>	>10 : ±0.25
100 <sub>μ</sub>	>30 : ±0.3
ANGLE	±3°

MATERIAL	FINISH
材料 ケース: PBT ピン: PBT ボルト: 鋼 (STEEL)	仕上

DWN S.AMEMIYA 18JAN93	Tyco Electronics Corporation Kawasaki, Japan	
CHK A.NAGAMINE 18JAN93	NAME 名称	
APVD K.ODA 18JAN93	BOLT CASE ASSEMBLY IMPUL-MATE CONNECTOR	
PRODUCT SPEC 製品規格	SIZE A3	CAGE CODE 00779
APPLICATION SPEC 取付適用規格	DRAWING NO 番号 C-177653	
WEIGHT -	RESTRICTED TO -	
CUSTOMER DRAWING		SCALE 尺度 2:1
		SHEET 1 OF 1
		REV B