

Heating Controller

Features

- Dual Voltage (120V/240V) operations
- Auto temperature control with NTC
- NTC open protection
- Multi mode LED indicator
- Proportional control
- Pulse trigger for high current SCR
- Internal Zener
- Auto Heating off after heating timer timeout
- Low cost 8-Pin DIP and SOIC package

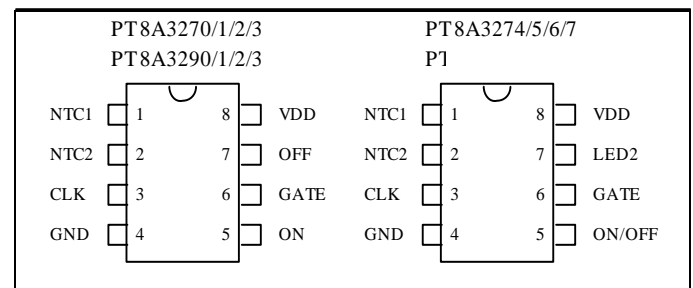
Applications

- Curler
- Straightener

Description

The PT8A3270/1/2/3/4/5/6/7 is a mixed signal CMOS LSI chip designed as heating controller with help of external NTC (Negative Temperature Component). NTC open protection is implemented for device safety. This device can be used in both 120V and 240V power line supplier, as it will automatically adjust the heating power according to the power line voltage to avoid heating appliance damage or long heating time. The proportional control algorithm is designed in this product.

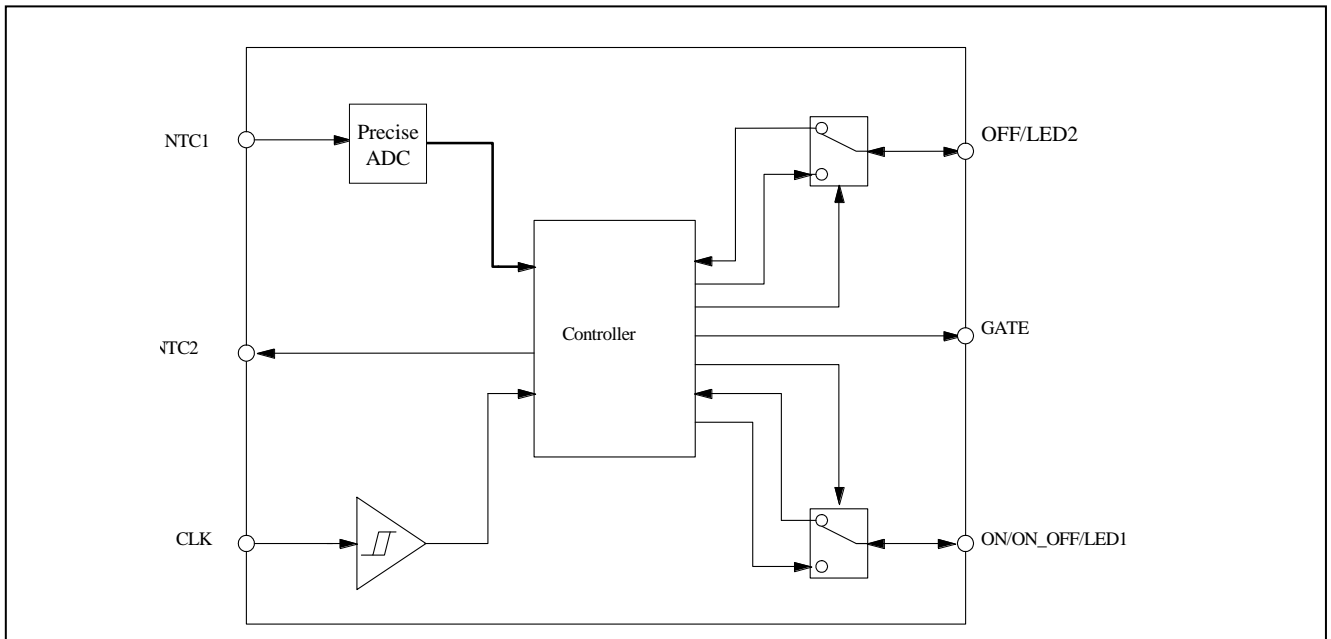
Pin Configuration



Pin Description

Pin No.	Pin Name		I/O	Description
	3270/1/2/3	3274/5/6/7		
1	NTC1	NTC1	I	NTC voltage input, NTC open detection input
2	NTC2	NTC2	O	Output signal for NTC open detection
3	CLK	CLK	I	Clock input from power line
4	GND	GND	Power	Ground and Power
5	ON	ON_OFF	I/O	3270/1/2/3: Heating-on button input. and LED1 driving output 3274/5/6/7: Heating-on/off button input and LED1 driving output
6	GATE	GATE	O	3270/1/2/3/4/5/6/7: SCR trigger output
7	OFF	LED2	I/O	3270/1/2/3: Heating-off button input and LED2 driving output 3274/5/6/7: LED2 driving output
8	VDD	VDD	Power	Ground and Power

Block Diagram



Maximum Ratings

Storage Temperature.....	-65°C to +150°C
Supply Voltage to Ground Potential (Input & V _{CC} Only).....	-0.5V to +5.5V
Supply Voltage to Ground Potential (Outputs).....	-0.5V to +5.5V
DC Input Voltage	-0.5V to +5.5V
DC Output Current.....	20mA
Power Dissipation.....	500mW

Note:

Stresses greater than those listed under MAXIMUM RATINGS may cause permanent damage to the device. This is a stress rating only and functional operation of the device at these or any other conditions above those indicated in the operational sections of this specification is not implied. Exposure to absolute maximum rating conditions for extended periods may affect reliability.

Recommended operation conditions

Symbol	Pin	Parameter	Min	Typ	Max	Unit
Frequency	CLK	Input CLK Frequency	-	50/60	-	Hz
T _A	-	Operating temperature	-20	-	85	°C

AC Electrical Characteristics

(V_{DD} = 3.5 ~ 5.5V, T_A = -20 ~ 85 °C, unless otherwise noted)

Symbol	Description	Test Conditions	Min	Type	Max	Unit
F _{CLK}	Frequency of CLK	-	-	50/60	-	Hz
T _{GATE}	Width of trigger pulse	-	160	200	240	μS
Timer	Power off timer	F _{CLK} = 50Hz	1.15	1.2	1.25	Hour

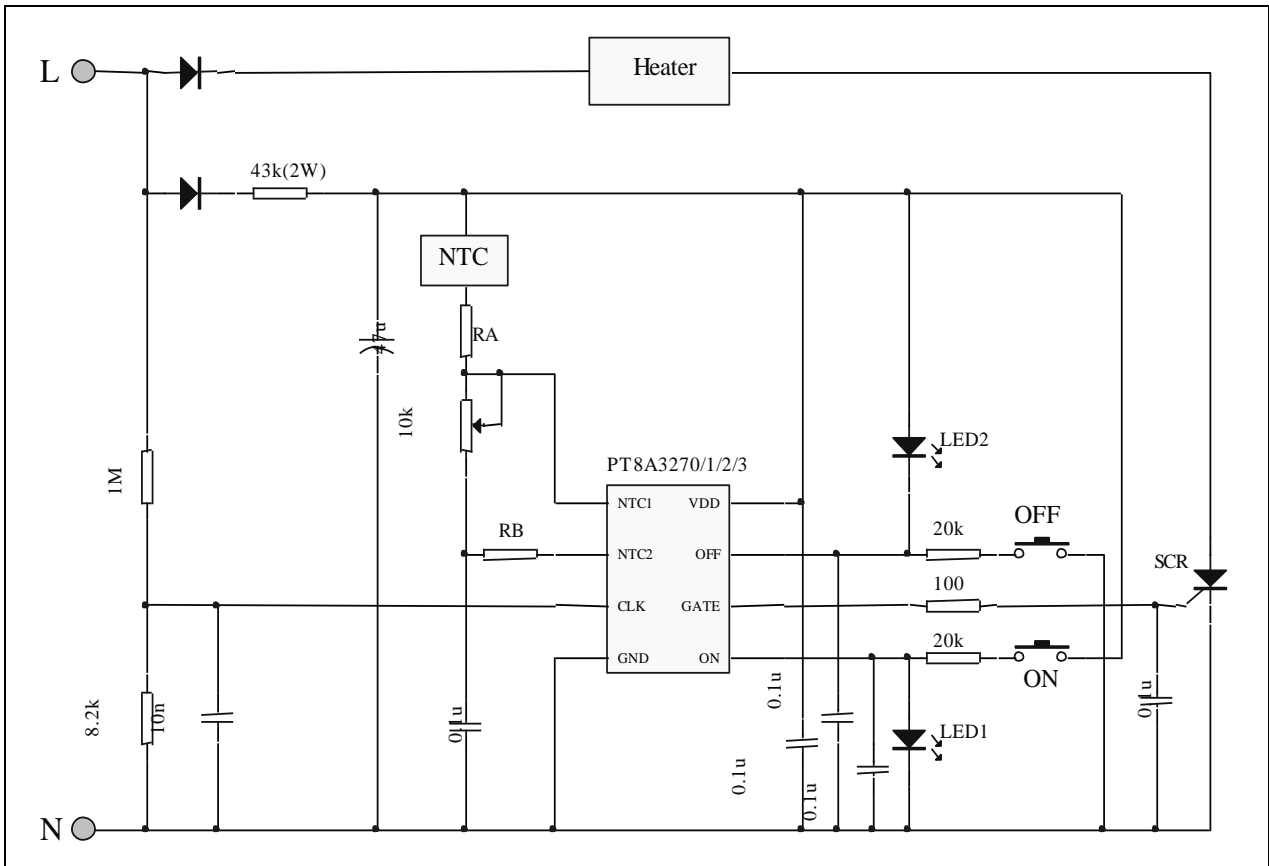
DC Electrical Characteristics

 ($V_{DD} = 3.5 \sim 5.5V$, $T_A = -20 \sim 85 \text{ }^\circ\text{C}$, unless otherwise noted)

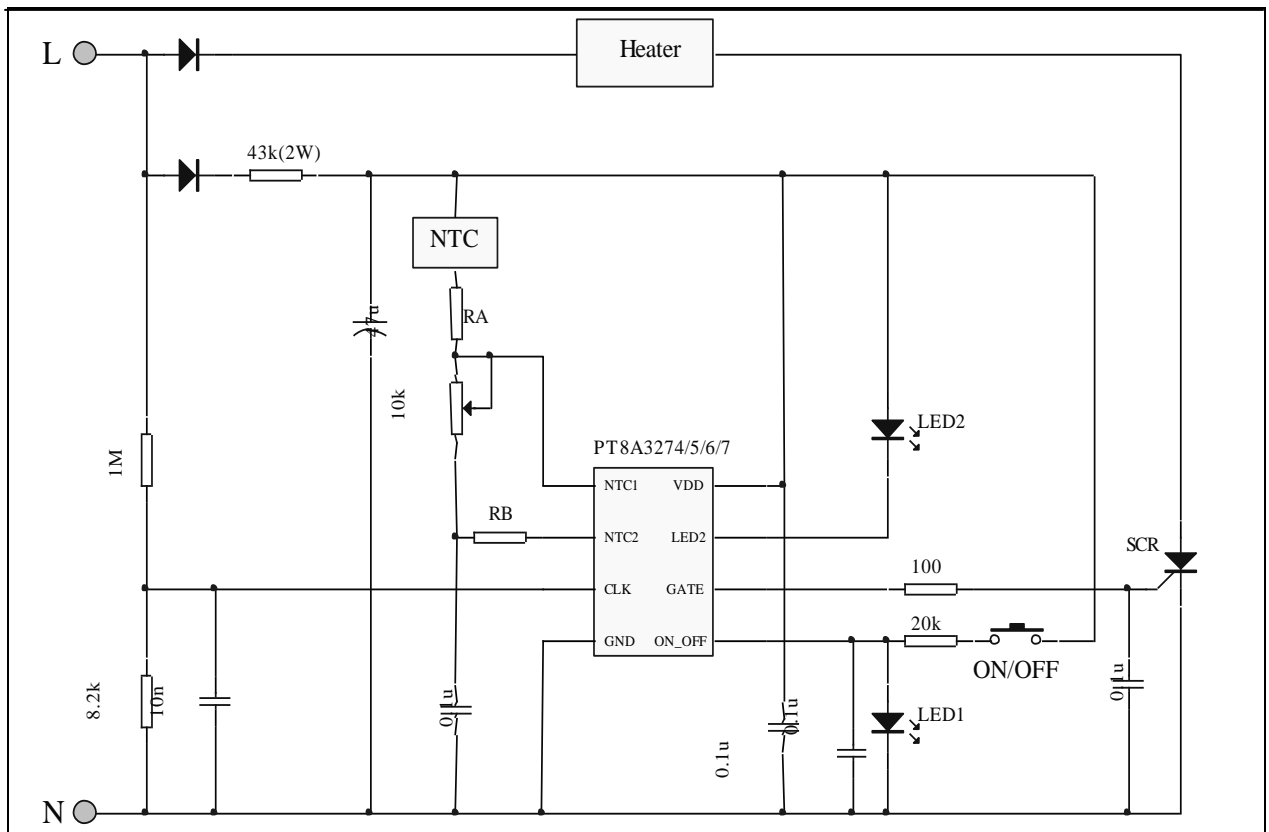
Symbol	Description	Test Conditions		Min	Type	Max	Unit
I_{IH}	Input high current	PIN: CLK	$V_{IN} = V_{DD}$	-	-	1	μA
		PIN: NTC1	$V_{IN} = V_{DD}$	-	-	100	nA
		PIN: NTC2	$V_{IN} = V_{DD}$, Output High impedance	-	-	100	nA
I_{IL}	Input low current	PIN: CLK	$V_{IN} = \text{GND}$	-	-	-1	μA
			$V_{IN} = 0.35V$	-	-	-10	μA
		PIN: NTC1	$V_{IN} = \text{GND}$	-	-	-100	nA
		PIN: NTC2	$V_{IN} = \text{GND}$, Output High impedance	-	-	-100	nA
I_{OH}	Output High current	PIN: GATE	$V_{DD} = 4.5V$ $V_{out} = 2.5V$	-15	-	-	mA
I_{OL}	Output Low current	PIN: NTC2	$V_{DD} = 4.5V$ $V_{out} = 0.5V$	2.0	-	-	mA
		PIN: GATE	$V_{DD} = 4.5V$ $V_{out} = 0.5V$	5.0	-	-	mA
V_{POR}	Voltage of POR	-		1.5	-	2.5	V
V_Z	Voltage of Zener	$I_{DD} = 500\mu\text{A} \sim 10\text{mA}$		4.5	5.0	5.5	V
I_{DD}	Current consumption	NTC1,CLK pin tied to ground $V_{DD} = 4.5V$		-	-	500	μA

Application Circuit

PT8A3270/1/2/3 Application Circuit



PT8A3274/5/6/7 Application circuit



Functional Description

- **State description**

- **Reset**

The device will be of reset state after power-on.

- **Heating on**

The device will be of heating on state after heating-on button is on

- **Heating off**

This device enter heating-off state after its power-on reset or heating timer timeout, and all pins will be the same status as after power-on reset.

- **NTC open protection**

When NTC is open, NTC1 pin will be pulled low in the period of NTC open detected.

- **Timer**

Once IC enters Heating-on State, internal timer starts to count. When time is out after 216000 clock period, it will exit heating-on state. That is, in case of 60Hz CLK signal, the heating time is about 1 hour; and 1.2 hour for 50Hz.

In heating-on state, temperature is regulated to the selected temperature by the IC through NTC close control loop.

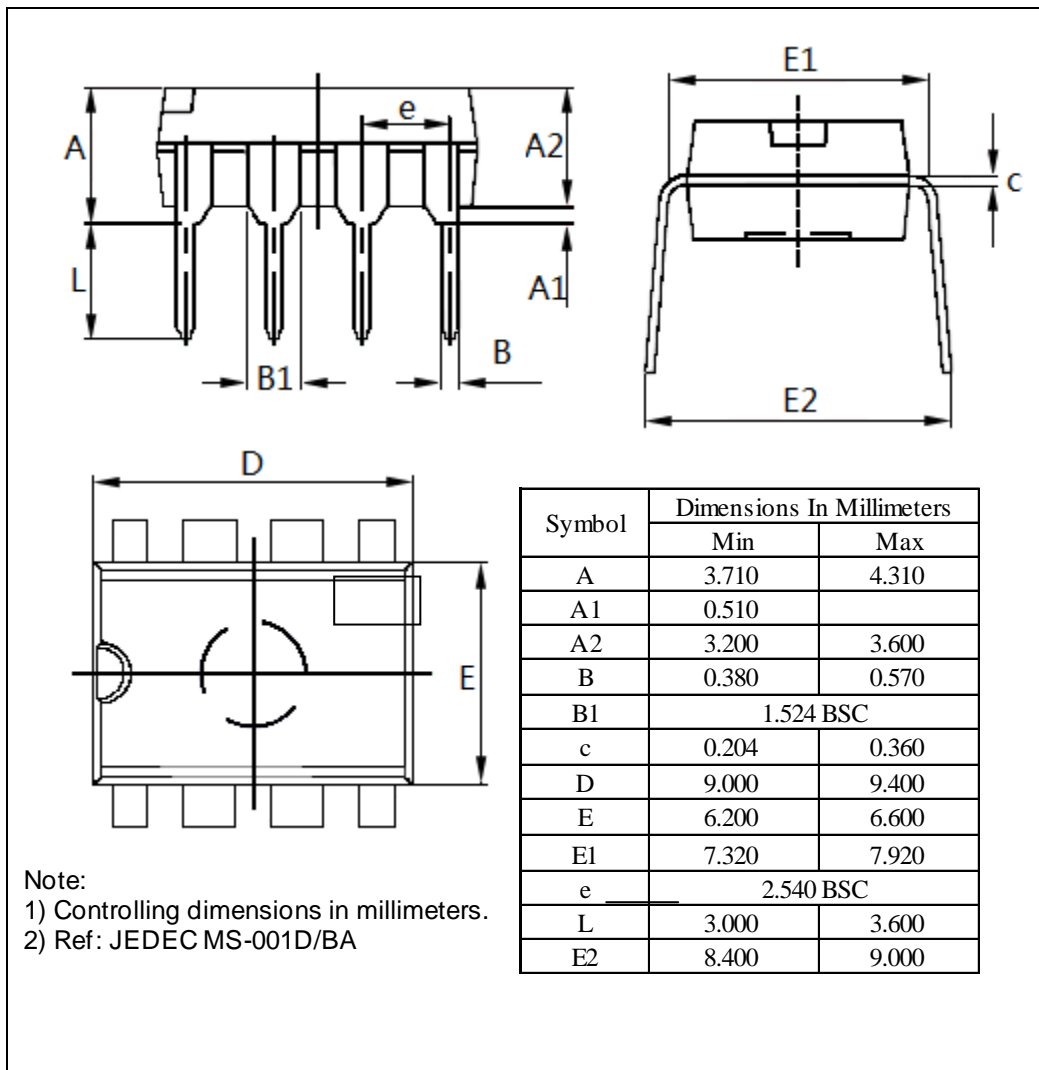
- **Control signal output**

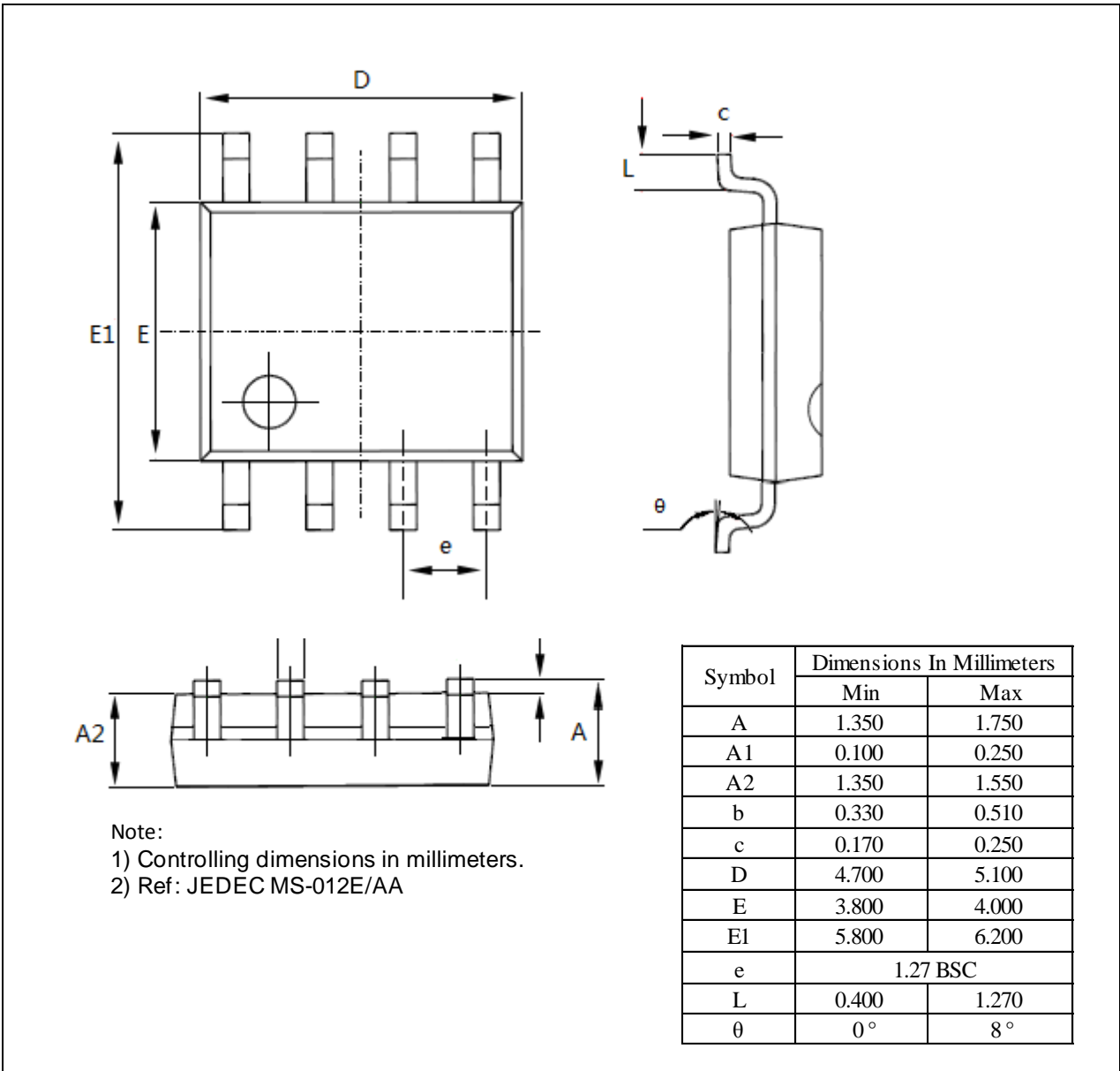
When working in Heating-on state, Gate/LED output will be related to NTC1 input and CLK input amplitude.

Effect of NTC and $V_{T_{CLK}}$ (Level 2) on GATE and LED indication

Working State	CLK input voltage	NTC (NTC open detection)	NTC (Normal temp detection)	GATE (trigger to SCR/TRIAC)	LED			
					LED1	LED2	LED1	LED2
					3270/2/4/6	3270/2/4/6	3271/3/5/7	3271/3/5/7
ON	High for level 2 (240V)	$V_{NTCO} \sim V_{DD}$	$0 \sim V_{ADC_BIT15}$	Proportional output	Flash1*	Invert of LED1	On	Off
			$V_{ADC_BIT14} \sim V_{ADC_BIT1}$		On		On	
			$V_{ADC_BIT1} \sim V_{DD}$		0		On	On
	Low for level 2 (120V)		$0 \sim V_{ADC_BIT15}$	Proportional output	Flash1		On	Off
			$V_{ADC_BIT14} \sim V_{ADC_BIT1}$		On		On	
			$V_{ADC_BIT1} \sim V_{DD}$		0		On	On
Off	X*		X	0	Off	Off	Off	
X	X	$0 \sim V_{NTCO}$	X	0	Flash2*	Flash2*	Off	

*Note: 1) X means any input. 2) Flash1 frequency is 1/32 clock. 3) Flash2 frequency is 1/8 clock

Mechanical Information
PE (DIP-8)


WE (SOIC-8)


Ordering Information

Part No.	Package Code	Package
PT8A327xPE	P	Lead free 8-Pin DIP
PT8A327xWE	W	Lead free and Green 8-Pin SOIC

Note:

- “x” shows 0~7 with different function see *Function Comparison Table*.
- E = Pb-free or Pb-free & Green
- Adding X Suffix= Tape/Reel

Function Comparison Table

Part number	LED	Timer	Switch	Driver
PT8A3270	Flash	Y	Two Key (ON + OFF)	SCR
PT8A3271*	Constant	Y	Two Key (ON + OFF)	SCR
PT8A3272*	Flash	N	Two Key (ON + OFF)	SCR
PT8A3273*	Constant	N	Two Key (ON + OFF)	SCR
PT8A3274	Flash	Y	One key (ON_OFF)	SCR
PT8A3275	Constant	Y	One key (ON_OFF)	SCR
PT8A3276*	Flash	N	One key (ON_OFF)	SCR
PT8A3277*	Constant	N	One key (ON_OFF)	SCR

Note:

- *Contact Pericom for availability.