

PART NUMBER	REV	TERMINATOR	FEED TYPE	DESCRIPTION
2114124-1	1	LEADMAKER	MECH POST FEED	CUTS CARRIER
2114124-2	1	BENCH	MECH PRE FEED	CUTS CARRIER
2114124-6	1	LEADMAKER	MECH POST FEED	CONTINUOUS CARRIER
7-2114124-1	1	LEADMAKER	MECH POST FEED	-1 AND SPARE PARTS
7-2114124-2	1	BENCH	MECH PRE FEED	-2 AND SPARE PARTS
7-2114124-6	1	LEADMAKER	MECH POST FEED	-6 AND SPARE PARTS
7-2114124-7	1	-	-	SPARE PARTS KIT

CRIMP	SIZE	TYPE	RANGE
WIRE	1.16 [.046 IN]	F	28-22 AWG
INSUL	1.45 [.057 IN]	F	Ø0.6-1.2mm [.024-.047 IN]

WIRE STRIP LENGTH 1.70-2.30 [.067-.091 IN]	APPL INSTRUCTIONS 408-8322
---	-------------------------------

TERMINAL APPL SPEC	114-106072	FEED 6.00 [.236 IN]
-----------------------	------------	------------------------

WIRE SIZE	CRIMP HEIGHT	PIN PN & LENGTH [IN]
22AWG	.80 ±0.03 [.032 ±.001 IN]	2-354779-8 [.3130]
24AWG	.73 ±0.03 [.029 ±.001 IN]	3-354779-3 [.3155]
26AWG	.67 ±0.03 [.026 ±.001 IN]	3-354779-8 [.3180]
28AWG	.64 ±0.03 [.025 ±.001 IN]	4-354779-0 [.3190]

WIRE SIZE	CRIMP HEIGHT	PIN PN & LENGTH [IN]
22AWG	.80 ±0.03 [.032 ±.001 IN]	2-354779-8 [.3130]
24AWG	.73 ±0.03 [.029 ±.001 IN]	3-354779-3 [.3155]
26AWG	.67 ±0.03 [.026 ±.001 IN]	3-354779-8 [.3180]
28AWG	.64 ±0.03 [.025 ±.001 IN]	4-354779-0 [.3190]

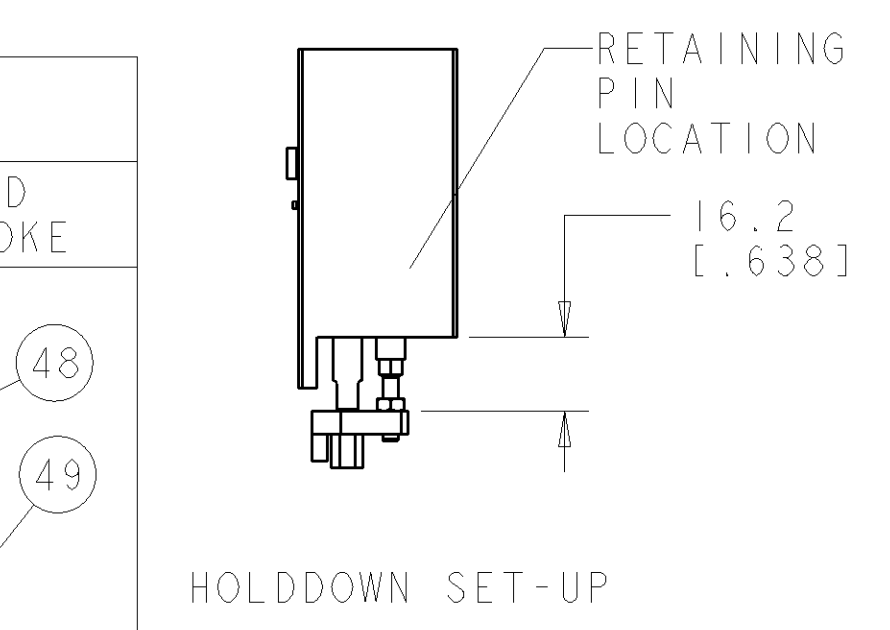
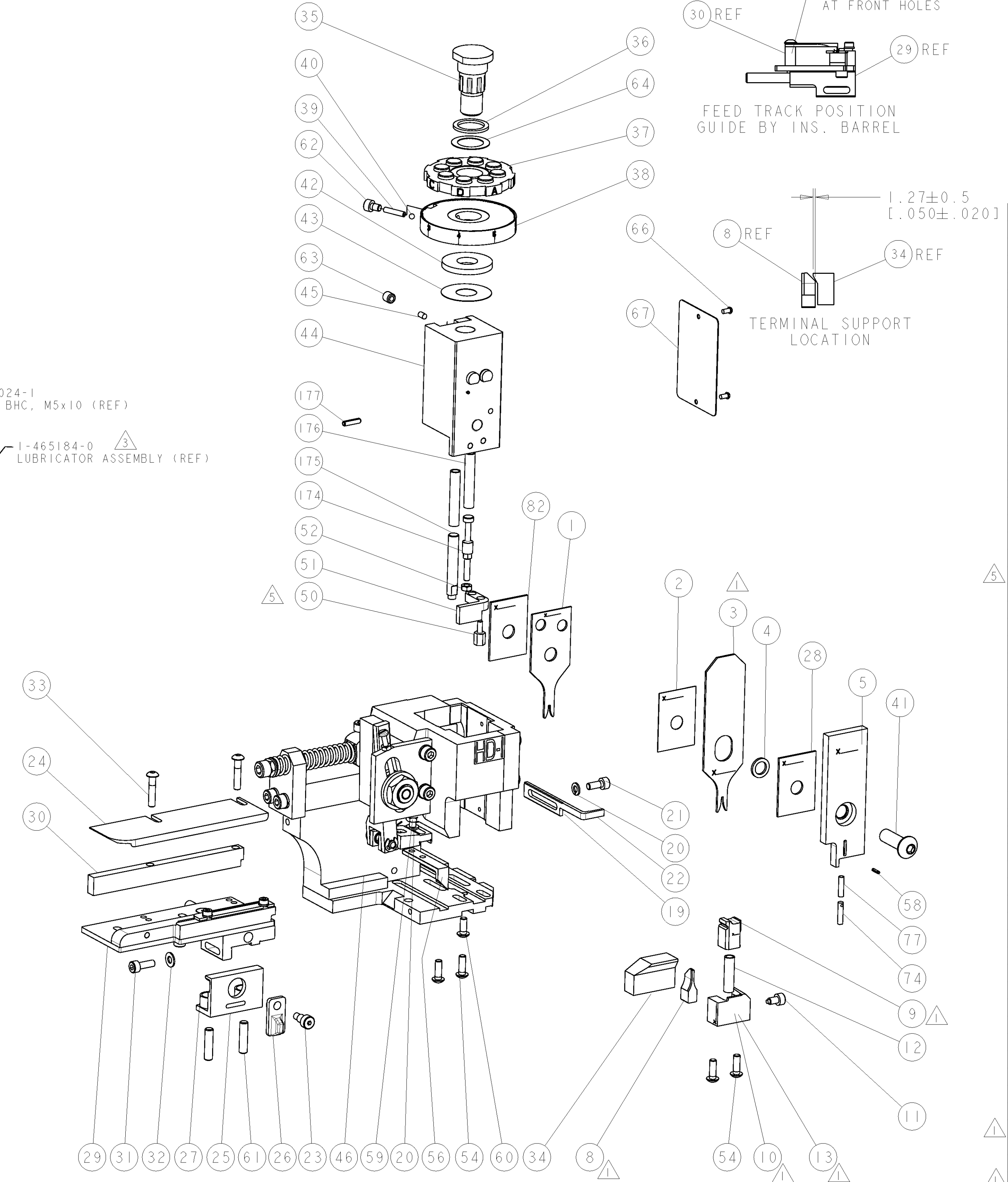
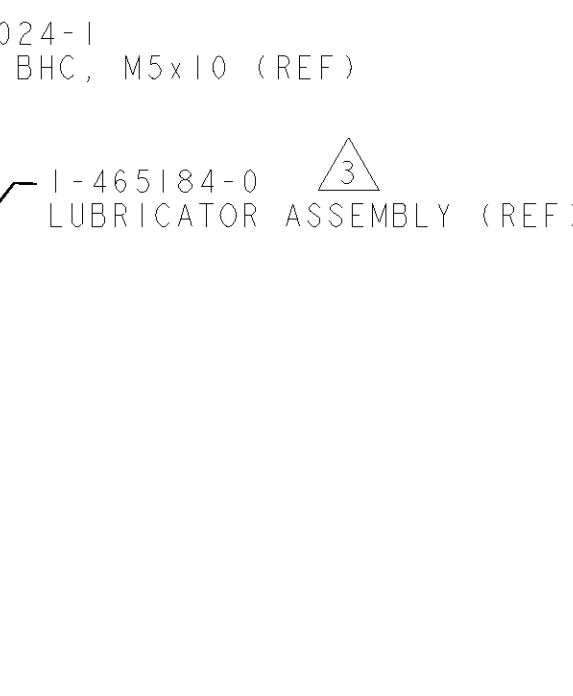
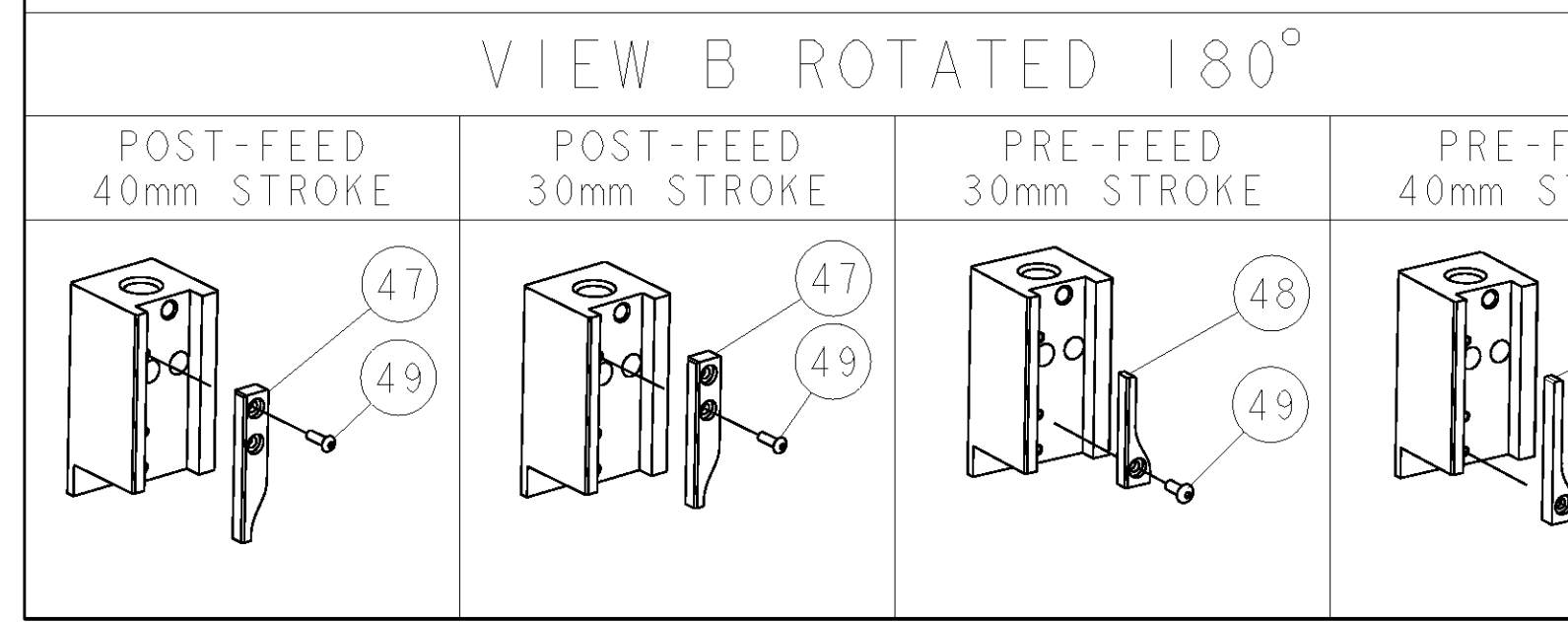
△ RECOMMENDED SPARE PARTS.

2. GREASE RAM, CAM, CAM FOLLOWER AND FEED ROD LIGHTLY.

△ CERTAIN TERMINALS REQUIRE LUBRICATION. REFER TO THE APPLICATOR INSTRUCTION SHEET FOR MORE INFORMATION.

4. LUBRICATE DAILY PER THE APPLICATOR INSTRUCTION SHEET SUPPLIED WITH THE APPLICATOR.

5. APPLY MILD LOCTITE #222 P/N 1-23419-5 TO ITEM 50



PROTOTYPE DESIGN NOT RELEASED FOR PRODUCTION

SET UP GAGE
458637-3

REV	DESCRIPTION	DATE	DWN	APPR
1	DEVELOPMENT	31MAY2011	D.L	S.X

REV	DESCRIPTION	DATE	DWN	APPR			
1	1	1	1	1	993111-8	PIN, SLOTTED SPRING 3.0 X 12.0	177
2	2	2	2	2	3-22280-7	SPRING, COMPRESSION	176
1	1	1	1	1	1752353-1	GUIDE PIN, HOLDDOWN	175
1	1	1	1	1	1901680-1	GUIDE PIN, HOLDDOWN	174
1	1	1	1	1	1-455888-1	SPACER, CRIMPER	82
1	1	1	1	1	1-22278-0	SPRING, COMPRESSION	77
1	1	1	1	1	854769-1	HOLDER, INS	74
1	1	1	1	1	1338705-1	DOCUMENTATION PACKAGE	71
1	1	1	1	1	461264-1	PLATE, IDENTIFICATION	67
2	2	2	2	2	21017-2	SCREW, DRIVE	66
1	1	1	1	1	986950-1	WASHER, FLAT PRECISION	64
1	1	1	1	1	3-18031-0	SCR, SET, CUP POINT M6 X 6.0	63
1	1	1	1	1	18023-9	SCR, SKT HD CAP M4 X 6.0	62
2	2	2	2	2	2-18032-5	SCR, SET, FLT POINT M5 X 20.0	61
1	1	1	1	1	18024-7	SCR, BTN SKT HD CAP (M4 X 10.0)	60
1	1	1	1	1	5-18022-2	SCR, HEX HD CAP M4 X 8.0	59
1	1	1	1	1	21028-2	PIN, SLOTTED SPRING .062 X .250	58
1	1	1	1	1	1338685-1	PAWL, FEED	56
4	4	4	4	4	18024-8	SCR, BTN SKT HD CAP (M4 X 12.0)	54
1	1	1	1	1	1-18030-0	NUT, HEX, REG M3.5	52
1	1	1	1	1	1-1901681-8	HOLDDOWN, TERMINAL	51
1	1	1	1	1	1-1752354-4	STANDOFF, HOLD-DOWN	50
1	1	1	1	1	18024-3	SCR, BTN SKT HD CAP (M3 X 10.0)	49
1	1	1	1	1	1338675-1	CAM, UNIVERSAL PRE FEED	48
1	1	1	1	1	1338676-1	CAM, UNIVERSAL POST-FEED	47
1	1	1	1	1	1320999-3	APPLICATOR SUBASSEMBLY, HDI	46
1	1	1	1	1	690191-1	PLUG, NYLON	45
1	1	1	1	1	1633724-1	RAM, (SIDE FEED)	44
1	1	1	1	1	690125-1	SHIM SUB-ASSY	43
1	1	1	1	1	690124-4	WASHER, RAM (.135)	42
1	1	1	1	1	2-18024-6	SCR, BTN SKT HD CAP (M8 X 25.0)	41
1	1	1	1	1	23241-1	BALL, STEEL	40
1	1	1	1	1	2-22278-7	SPRING, COMPRESSION	39
1	1	1	1	1	1320922-1	DISC, ADJUST, INSULATION CRIMP	38
1	1	1	1	1	354777-1	WIRE DISC, ASSEMBLY	37
1	1	1	1	1	22480-5	SPRING, COMPRESSION	36
1	1	1	1	1	690212-1	POST, RAM	35
1	1	1	1	1	2-1752356-4	SUPPORT, TERMINAL	34
2	2	2	2	2	1-18024-0	SCR, BTN SKT HD CAP (M4 X 20.0)	33
1	1	1	1	1	18027-2	WASHER, FLAT, REG M4	32
1	1	1	1	1	1-18023-2	SCR, SKT HD CAP M4 X 12.0	31
1	1	1	1	1	1-1320908-7	SPACER, STRIP GUIDE	30
1	1	1	1	1	1633073-1	STRIP GUIDE ASSEMBLY	29
1	1	1	1	1	1-455888-0	SPACER, CRIMPER	28
2	2	2	2	2	1-22284-0	SPRING, COMPRESSION	27
1	1	1	1	1	356835-1	LEVER, DRAG RELEASE	26
1	1	1	1	1	240792-1	DRAG, TERMINAL	25
1	1	1	1	1	1320928-1	PLATE, STRIP GUIDE	24
1	1	1	1	1	980371-4	SCR, SKT HD SHLDR 5.0 DIA X 6.0	23
1	1	1	1	1	690472-2	STRIPPER	22
1	1	1	1	1	1-18023-1	SCR, SKT HD CAP M4 X 10.0	21
2	2	2	2	2	18025-2	WASHER, SPRG LOCK, REG M4	20
1	1	1	1	1	690472-1	STRIPPER	19
1	1	1	1	1	1338684-2	SHEAR HOLDER, FRONT	13
1	1	1	1	1	3-22280-3	SPRING, COMPRESSION	12
1	1	1	1	1	356885-5	STOP, SHEAR	11
1	1	1	1	1	1-1320921-0	SHEAR HOLDER, FRONT, CUT	10
1	1	1	1	1	462006-6	FLOATING SHEAR, FRONT	9
1	2	2	2	1	9-1633703-6	ANVIL, COMBINATION	8
1	1	1	1	1	-	-	7
1	1	1	1	1	-	-	6
1	1	1	1	1	854772-1	DEPRESSOR, SHEAR	5
1	1	1	1	1	2-238011-0	BLOCK, CRIMPER SPACER	4
1	2	2	2	1	7-1633511-3	CRIMPER, INSULATION F	3
1	1	1	1	1	455888-3	SPACER, CRIMPER	2
1	2	2	2	1	7-1633588-6	CRIMPER, WIRE	1

REV	DESCRIPTION	DATE	DWN	APPR
1	DEVELOPMENT	31MAY2011	D.L	S.X

TE Connectivity
Shanghai, CN

PRELIMINARY

PRODUCT SPEC: SIDE FEED HDI APPLICATOR

APPLICATION SPEC: -

SIZE: A1 00779 C-2114124

SCALE: 3:5 SHEET 1 OF 11

AMP 4895 REV 31MAR2006
Pro/ENGINEER DRAWING