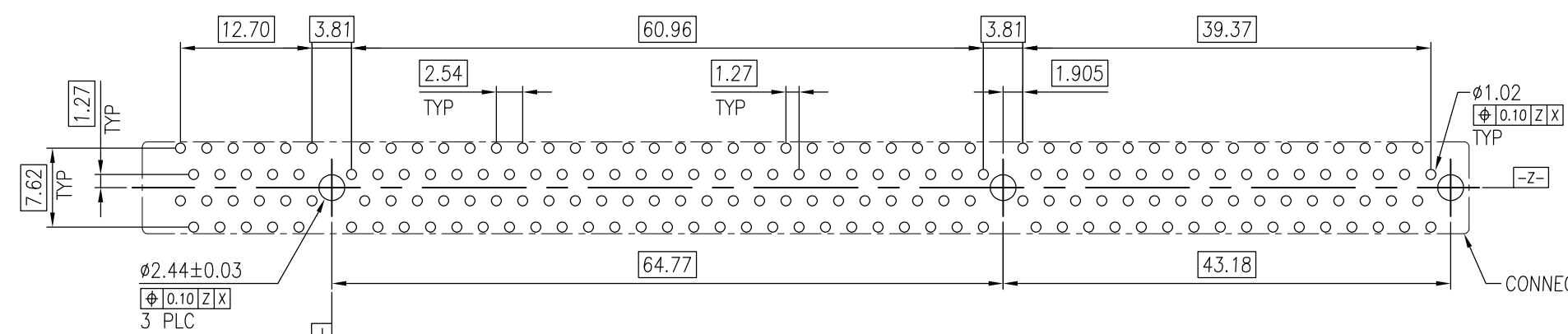
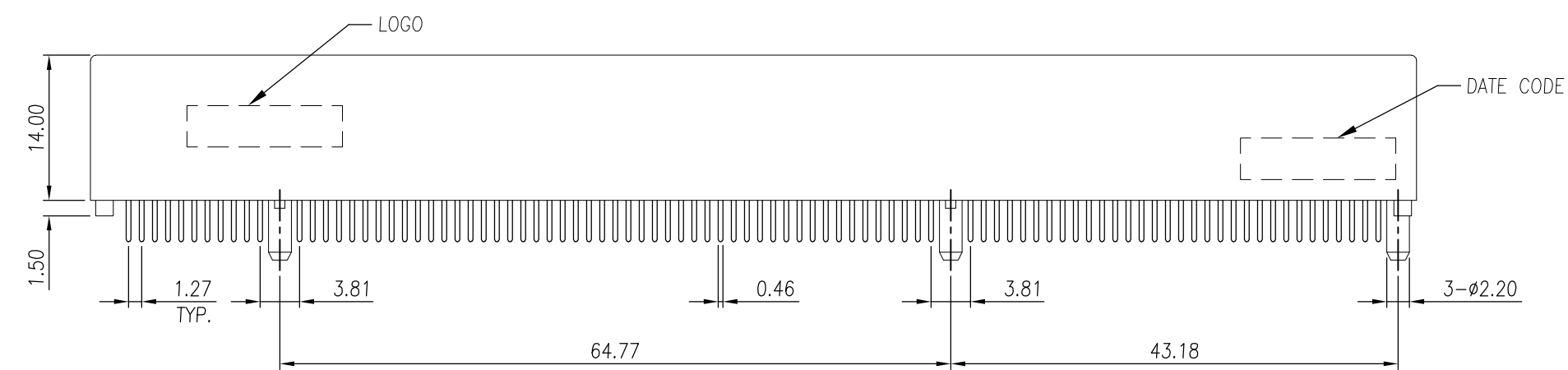
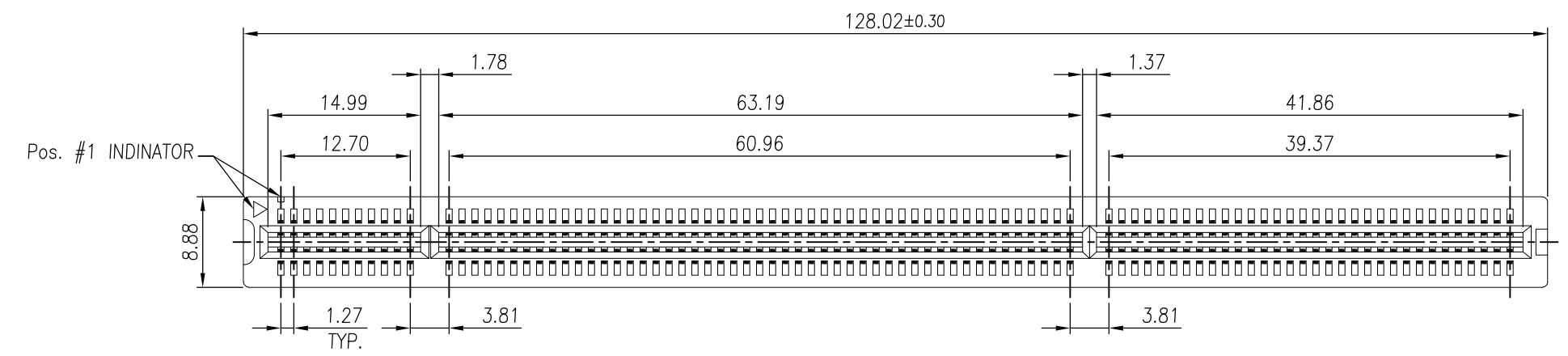


THIS DRAWING IS UNPUBLISHED. RELEASED FOR PUBLICATION  
 © COPYRIGHT BY TYCO ELECTRONICS CORPORATION. ALL RIGHTS RESERVED.

LOC	DIST	REVISIONS					
DW	—	P	LTR	DESCRIPTION	DATE	DWN	APVD
			A	REDRAW AND REVISED (ECR-09-001487)	11JAN09	SC	WK
			A1	REVISED PER ECO-09-024927	21JAN10	KK	HMR



NOTES:  
 1. MATERIAL:  
 HOUSING: PA46 ,UL 94V-0, COLOR: SEE TABLE.  
 CONTACTS: PHOSPHOR BRONZE.

2. FINISH:  
 CONTACTS:  
 SELECTIVE GOLD (SEE TABLE) PLATED ON CONTACT AREA,  
 2.54um [100u"] MIN. MATTE-TIN PLATING ON SOLDER TAIL,  
 1.27um [50u"] MIN. NICKEL UNDERPLATED OVERALL.  
 3. WAVE SOLDER CAPABLE TO 265°C PER TE TEST SPEC.  
 109-202, CONDITION B.

△ OBSOLETE PARTS: OBSOLETE CIS STREAMLINING PER D.RENAUD/D.SINISI

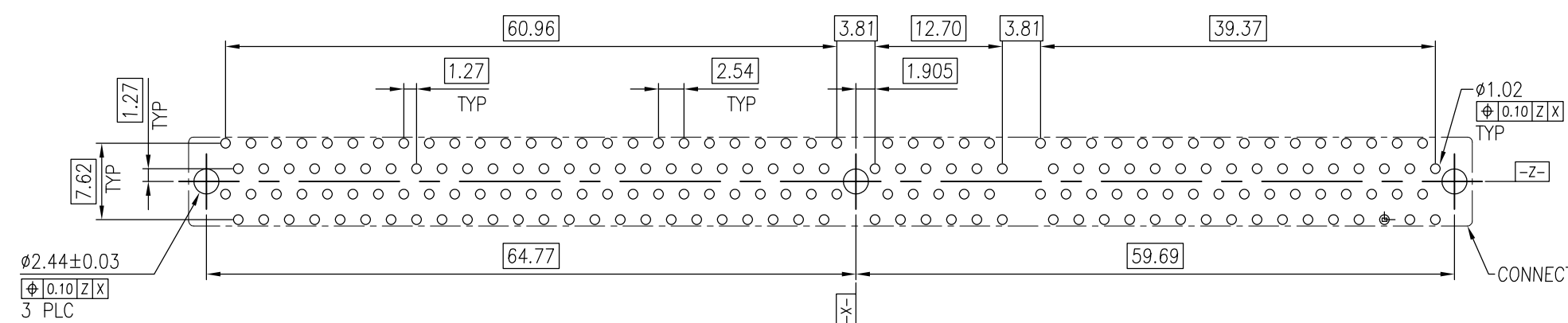
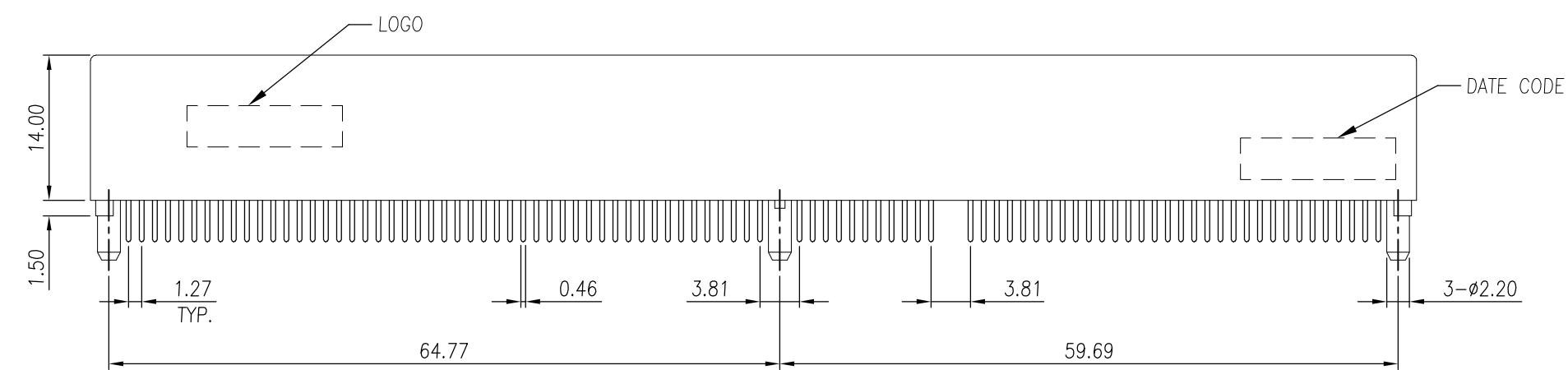
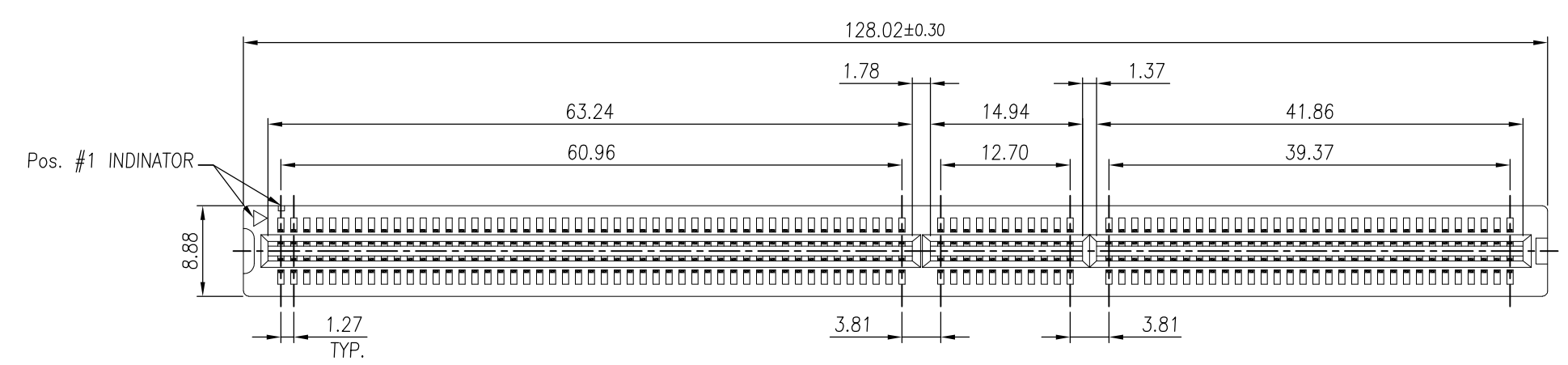
RECOMMENDED PCB LAYOUT (TOP VIEW)  
 TOLERANCE : ±0.05

3.3V	LIGHT GREEN (365C)	15u"	6-1734377-2
		G/F	6-1734377-1
	ORANGE (1575C)	15u"	4-1734377-2
		G/F	4-1734377-1
	GREEN (347C)	15u"	2-1734377-2
		G/F	2-1734377-1
VOLTAGE	HOUSING COLOR	30u"	1734377-3
		15u"	1734377-2
		G/F	1734377-1
		GOLD PLATING	PART NUMBER

THIS DRAWING IS A CONTROLLED DOCUMENT.		DWN	S. CHIEN	12JAN2009	Tyco Electronics Corporation		
		CHK	S. CHIEN	12JAN2009	Taipei, Taiwan		
		APVD	W. KODAMA	12JAN2009	NAME		
		PRODUCT SPEC			PCI, CARD EDGE 184P, VERTICAL, DIP TYPE		
		QUALIFICATION TEST REPORT			RESTRICTED TO		
		501-57440			SIZE	CAGE CODE	DRAWING NO
		WEIGHT			A3	00779	C=1734377
MATERIAL		FINISH		SCALE			
SEE NOTE		SEE NOTE		SHEET 1 OF 4			
CUSTOMER DRAWING				REV A1			

THIS DRAWING IS UNPUBLISHED. RELEASED FOR PUBLICATION  
 © COPYRIGHT BY TYCO ELECTRONICS CORPORATION. ALL RIGHTS RESERVED.

LOC DW	DIST -	REVISIONS		
P	LTR	DESCRIPTION	DATE	DWN APVD
		SEE SHEET 1		



RECOMMENDED PCB LAYOUT (TOP VIEW)  
 TOLERANCE : ±0.05

- NOTES:
- MATERIAL:  
HOUSING: PA46 ,UL 94V-0, COLOR: SEE TABLE.  
CONTACTS: PHOSPHOR BRONZE.
  - FINISH:  
CONTACTS:  
SELECTIVE GOLD (SEE TABLE) PLATED ON CONTACT AREA,  
2.54um [100u"] MIN. MATTE-TIN PLATING ON SOLDER TAIL,  
1.27um [50u"] MIN. NICKEL UNDERPLATED OVERALL.
  - WAVE SOLDER CAPABLE TO 265°C PER TE TEST SPEC.  
109-202, CONDITION B.

OBSOLETE	5.0V	LIGHT GREEN (365C)	15u"	7-1734377-2
		ORANGE (1575C)	15u"	5-1734377-2
		GREEN (347C)	G/F	5-1734377-1
			G/F	3-1734377-2
OBSOLETE	VOLTAGE	HOUSING COLOR	30u"	1-1734377-3
			15u"	1-1734377-2
		GOLD PLATING	G/F	1-1734377-1
			PART NUMBER	

THIS DRAWING IS A CONTROLLED DOCUMENT.		DWN	Tyco Electronics Corporation Taipei, Taiwan														
DIMENSIONS: MM		CHK	NAME														
TOLERANCES UNLESS OTHERWISE SPECIFIED:		APVD	PCI, CARD EDGE 184P, VERTICAL, DIP TYPE														
<table border="0"> <tr><td>0 PLC</td><td>± -</td></tr> <tr><td>1 PLC</td><td>± 0.30</td></tr> <tr><td>2 PLC</td><td>± 0.20</td></tr> <tr><td>3 PLC</td><td>± -</td></tr> <tr><td>4 PLC</td><td>± -</td></tr> <tr><td>ANGLES</td><td>± -</td></tr> </table>		0 PLC	± -	1 PLC	± 0.30	2 PLC	± 0.20	3 PLC	± -	4 PLC	± -	ANGLES	± -	PRODUCT SPEC	SIZE	CAGE CODE	DRAWING NO
0 PLC	± -																
1 PLC	± 0.30																
2 PLC	± 0.20																
3 PLC	± -																
4 PLC	± -																
ANGLES	± -																
MATERIAL: SEE NOTE		QUALIFICATION TEST REPORT	A3	00779	C=1734377												
FINISH: SEE NOTE		WEIGHT	RESTRICTED TO														
		CUSTOMER DRAWING	SCALE	SHEET	REV												
			-	2 OF 4	A1												

THIS DRAWING IS UNPUBLISHED.

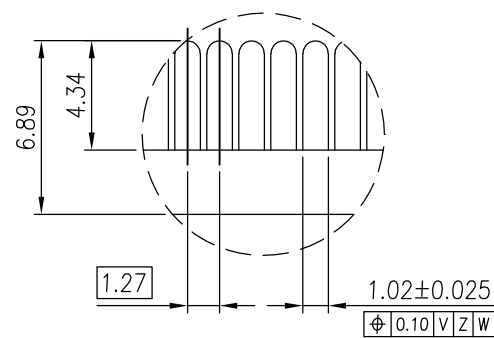
RELEASED FOR PUBLICATION

© COPYRIGHT BY TYCO ELECTRONICS CORPORATION. ALL RIGHTS RESERVED.

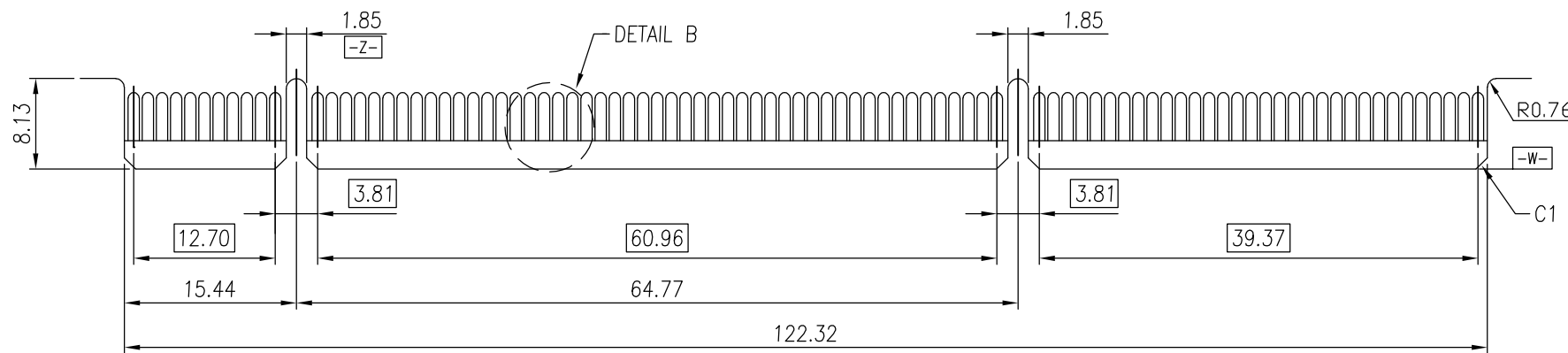
LOC DW DIST -

REVISIONS

P	LTR	DESCRIPTION	DATE	DWN	APVD
		SEE SHEET 1			

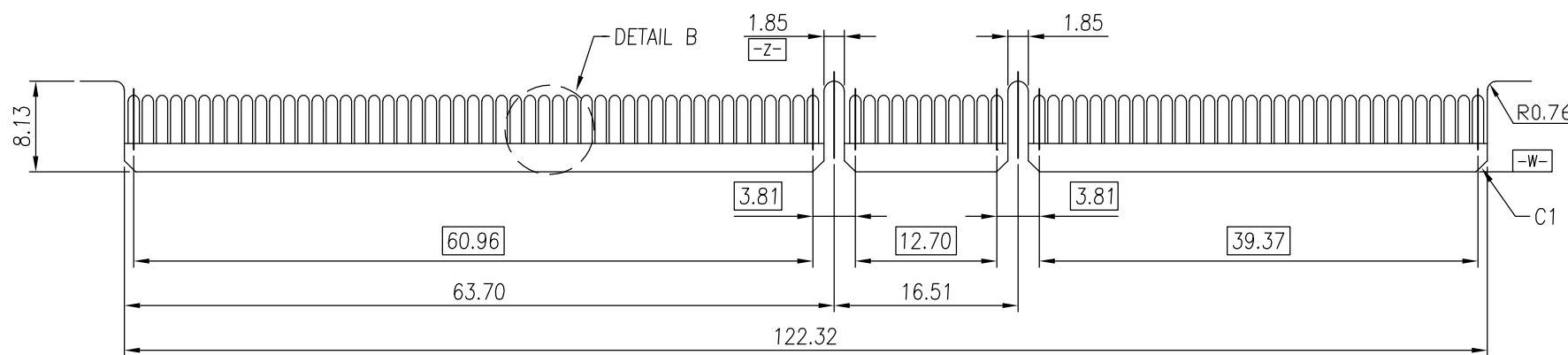


DETAIL B  
SCALE: 2:1



RECOMMENDED MATING COMPONENT BOARD (3.3V)

Tolerance: ±0.05

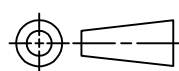


RECOMMENDED MATING COMPONENT BOARD (5.0V)

Tolerance: ±0.05

THIS DRAWING IS A CONTROLLED DOCUMENT.

DIMENSIONS:  
MM



TOLERANCES UNLESS OTHERWISE SPECIFIED:

- 0 PLC ± -
- 1 PLC ± -
- 2 PLC ± -
- 3 PLC ± -
- 4 PLC ± -
- ANGLES ± -
- FINISH

MATERIAL

DWN
CHK
APVD
PRODUCT SPEC
QUALIFICATION TEST REPORT
WEIGHT
CUSTOMER DRAWING



**Tyco Electronics**

Tyco Electronics Corporation  
Taipei, Taiwan

NAME

PCI, CARD EDGE 184P, VERTICAL, DIP TYPE

SIZE

CAGE CODE

DRAWING NO

RESTRICTED TO

A3

00779

C=1734377

-

SCALE

-

SHEET

3 OF 4

REV

A1

4

3

2

1

THIS DRAWING IS UNPUBLISHED.

RELEASED FOR PUBLICATION

-. - .

LOC

DIST

REVISIONS

© COPYRIGHT - BY TYCO ELECTRONICS CORPORATION. ALL RIGHTS RESERVED.

DW

P

LTR

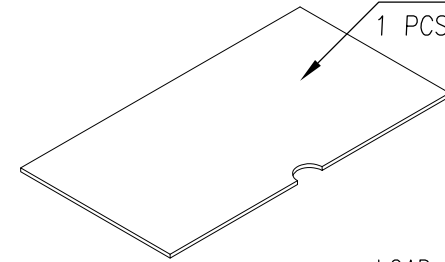
DESCRIPTION

DATE

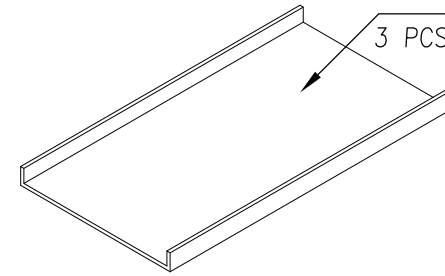
DWN

APVD

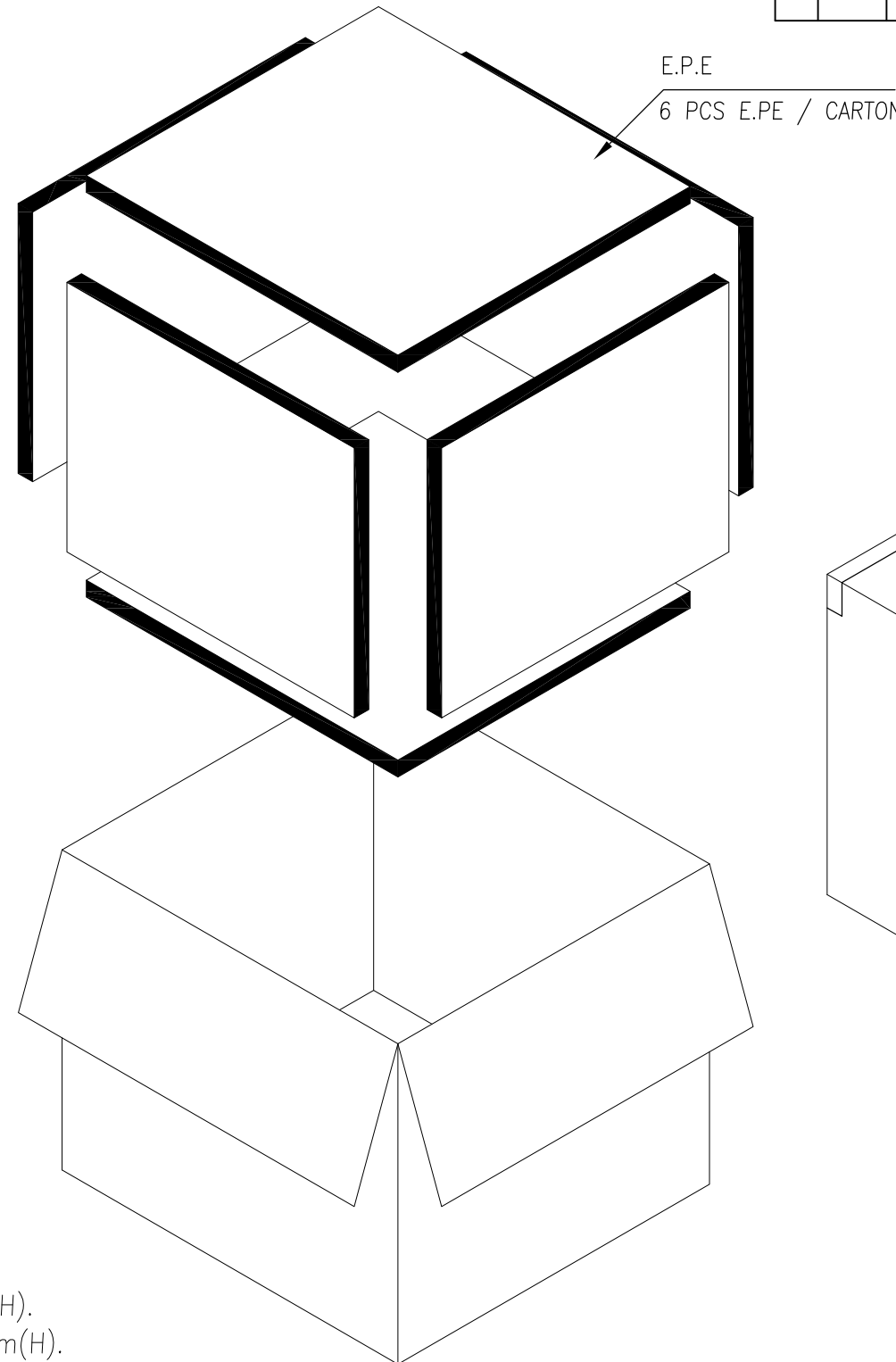
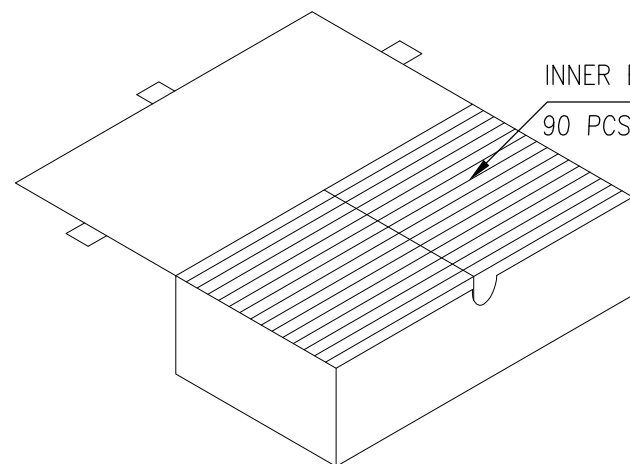
TOP CORRUGATED BOARD  
1 PCS / INNER BOX



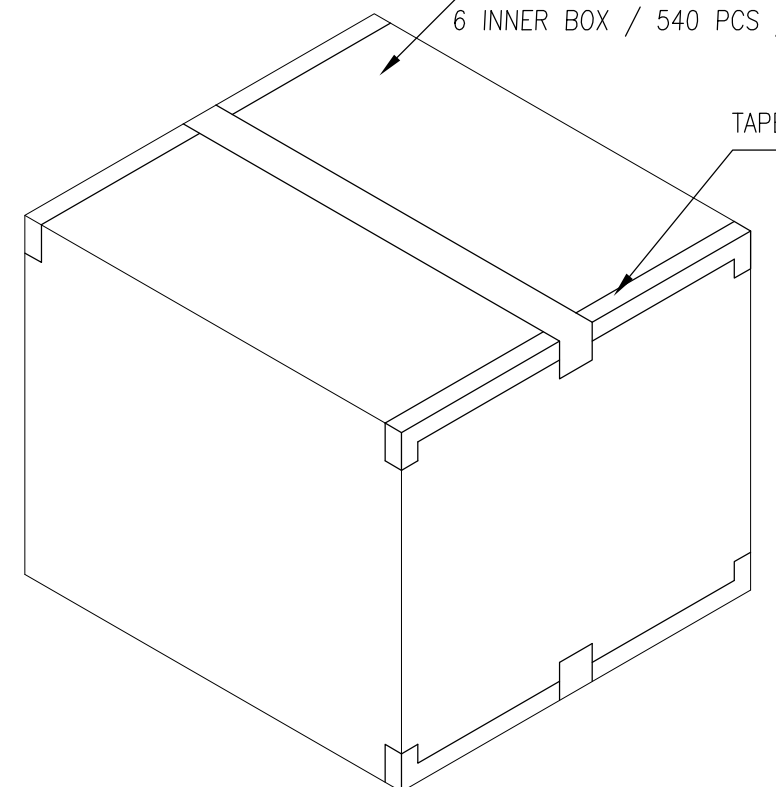
LOAD CORRUGATED BOARD  
3 PCS / INNER BOX



INNER BOX  
90 PCS / INNER BOX



SHIPPING CARTON  
6 INNER BOX / 540 PCS / CARTON



NOTES:

- 1. TOP CORRUGATED PLATE SIZE: 256mm(L)X 137mm(W)X 3mm(H).
- 2. LOAD CORRUGATED PLATE SIZE: 256mm(L)X 137mm(W)X 15mm(H).
- 3. INNER BOX SIZE: 272mm(L)X 147mm(W)X 78mm(H).
- 4. CARTON SIZE: 345mm(L)X 320mm(W)X 285mm(H).
- 5. NET WEIGHT: 10.0 Kg.
- 6. GROSS WEIGHT: 11.8 Kg.

90	6	540 PCS	11.8 KG	10.0 KG
PCS / BOX	BOX / CARTON	QUANTITY	GROSS WEIGHT	NET WEIGHT

THIS DRAWING IS A CONTROLLED DOCUMENT.		DWN		Tyco Electronics Corporation	
DIMENSIONS: MM		CHK		Tyco Electronics Taipei, Taiwan	
TOLERANCES UNLESS OTHERWISE SPECIFIED:		APVD		NAME	
0 PLC ± -		PRODUCT SPEC		PCI, CARD EDGE 184P, VERTICAL, DIP TYPE	
1 PLC ± -		QUALIFICATION TEST REPORT		SIZE CAGE CODE DRAWING NO RESTRICTED TO	
2 PLC ± -		WEIGHT		A3 00779 C=1734377 -	
3 PLC ± -		CUSTOMER DRAWING		SCALE SHEET REV	
4 PLC ± -		SCALE -		4 OF 4 A1	
ANGLES ± -		SHEET 4 OF 4		REV A1	
FINISH		REV		A1	