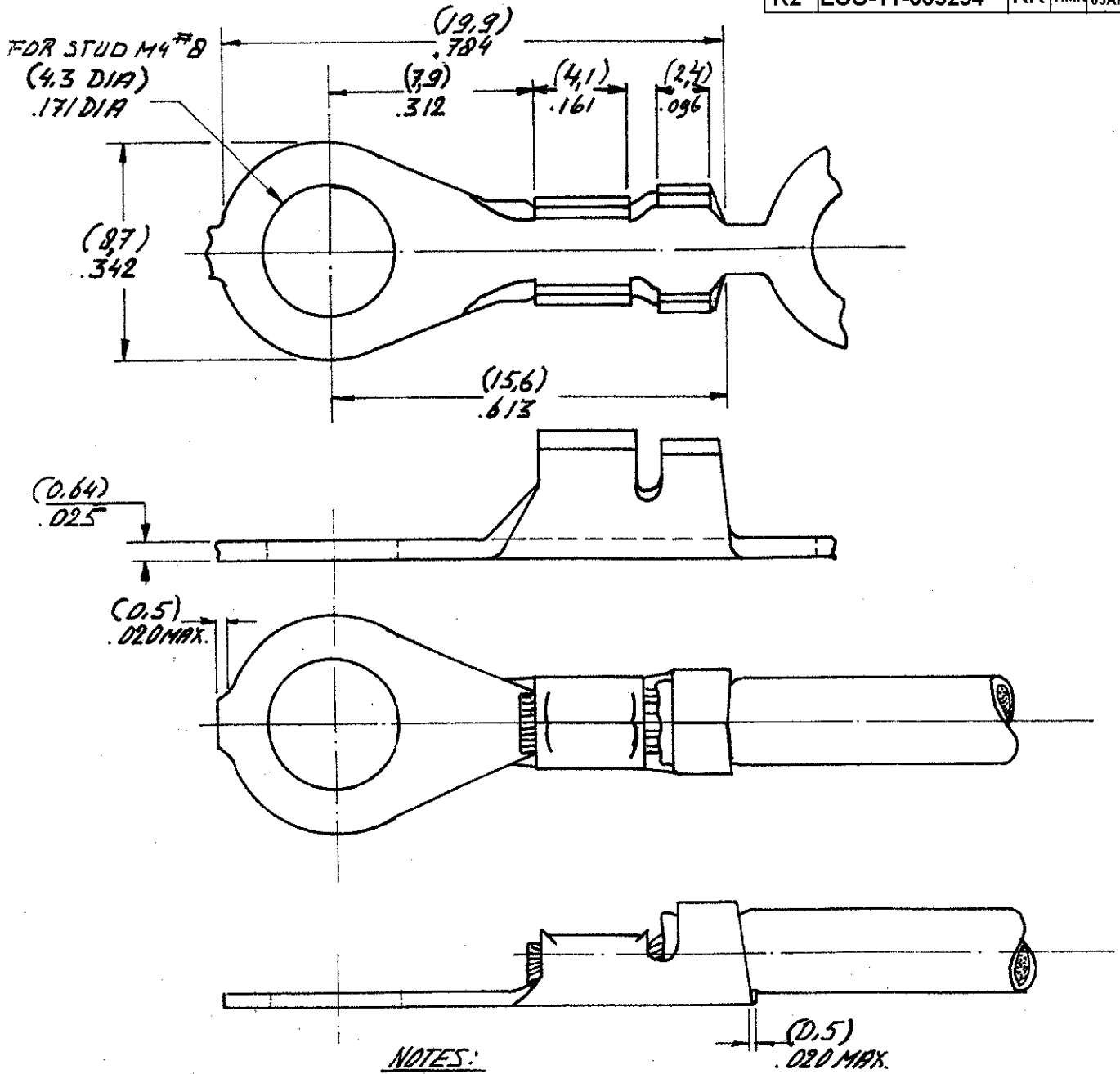


DRAWING MADE IN AMERICAN PROJECTION

LTR	REVISION RECORD	DWN	CHK	DATE
K2	ECO-11-005294	RK	HMR	05APR11

C-160101



NOTES:

- △ OBSOLETE PARTS: OBSOLETE CIS STREAMLINING PER D.RENAUD/D.SINISI
- △ 1 FOR USE ON MINIATURE APPLICATORS (LEFT-RIGHT FEED) AMP/D.I.ATOR APPLICATION
- △ 2 FOR USE ON STANDARD AND MINIATURE APPLICATORS.
- △ 3 REELED WITH PAPER COVER.

160101-9	△ 1	STEEL	△ 2	NICKELPLATED
160101-8	△ 2	PHOSPH. BRONZE	---	---
160101-7	△ 3	BRASS	---	---
160101-6	△ 4	STEEL	---	NICKELPLATED
160101-4	△ 1	BRASS	---	---
160101-3	△ 2	PHOSPH. BRONZE	---	---
160101-2	△ 1	BRASS	---	TIN PLATED
160101-1	△ 2	BRASS	---	---

CUSTOMER COPY FOR REFERENCE ONLY



WIRE-RANGE 20-16 AWG 0.5-1.5mm ²	INSUL.-RANGE 080-120 DIA (20-30)	FIRST USED
---------------------------------------------------	----------------------------------------	------------

ORDER NO.	MATERIAL	PLATING
DR U. SUSTEREN	25/DATE 11.00	DE DATE
CHK [Signature]	20/DATE 11.00	APP [Signature]
		29.1.00

SCALE N.T.S.	SIZE A	NO C-160101	REV K2
NAME RING TONGUE WITH INS. SUPPORT			

DIMENSIONS IN (MM) DO NOT SCALE PRINT