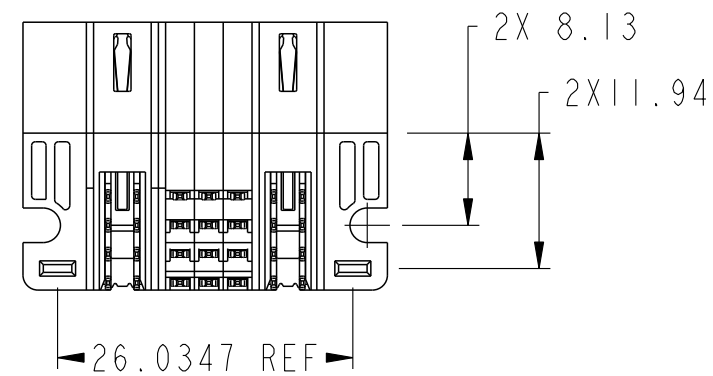
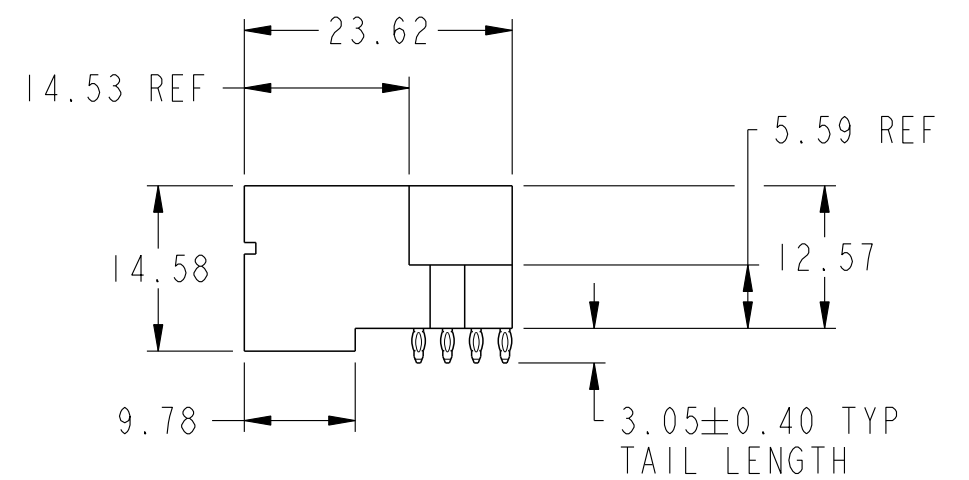
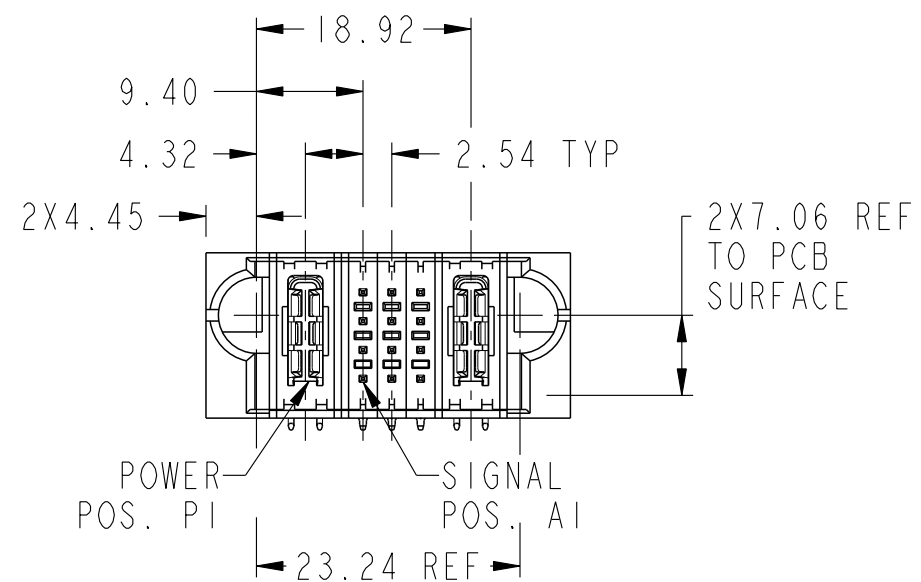
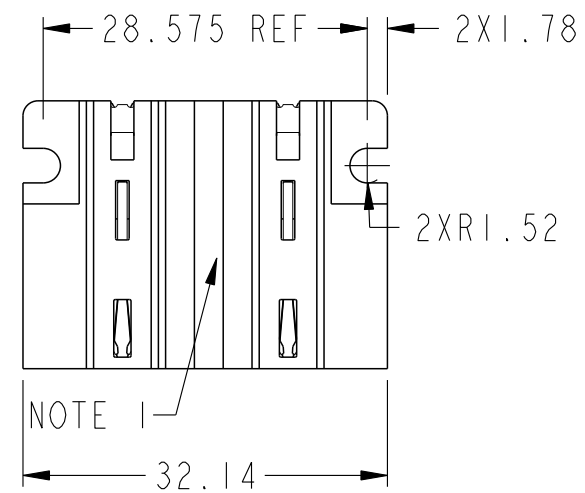


PART NUMBER 10106263-2003001LF

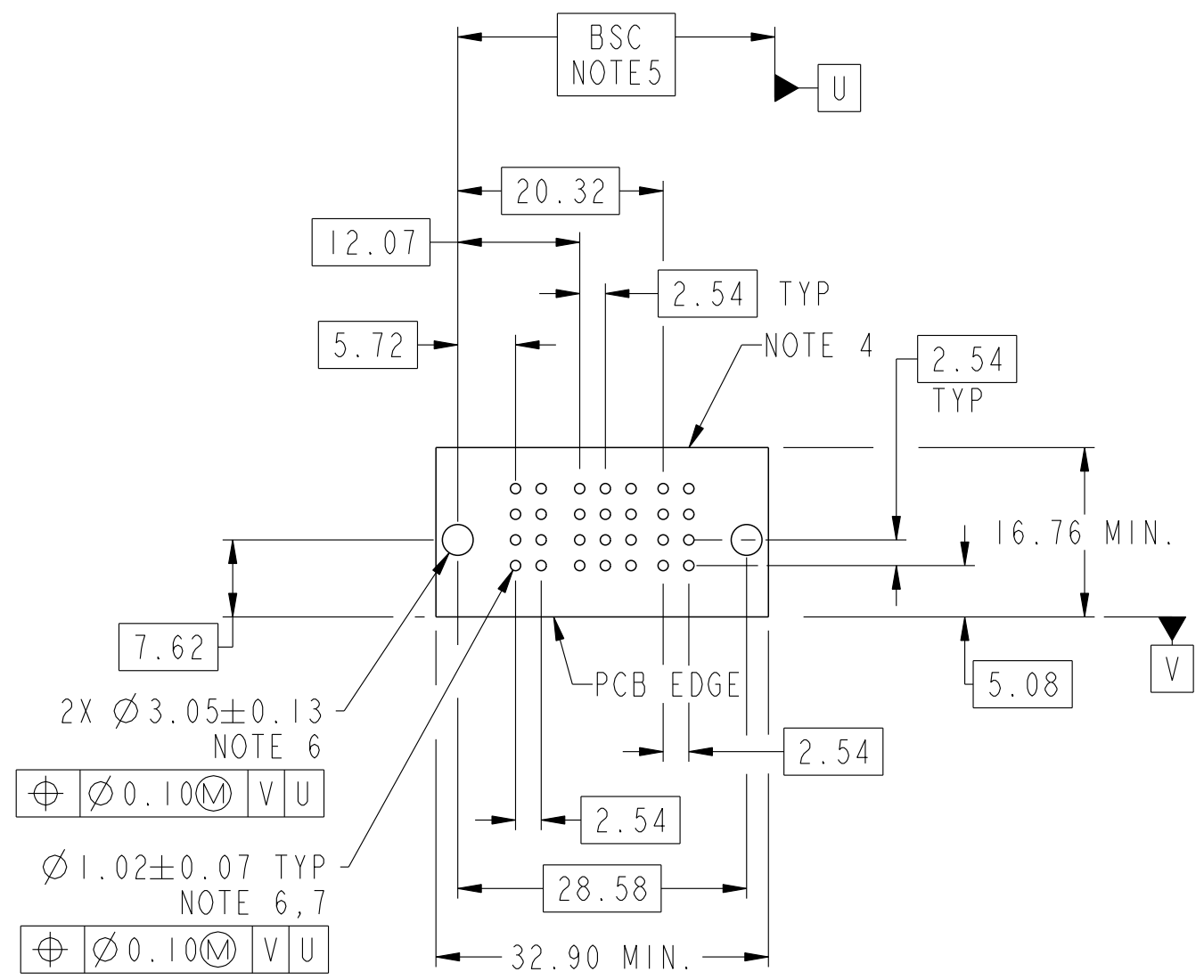


spec ref	*	dr	Bob Xie	2013/06/27	projection	MM	size	A3	scale	3:2			
tolerance std	ASME Y14.5	eng	Zhen-Hua Liu	2015/10/14			ecn no	ELX-DG-22145-1					
TOLERANCES UNLESS OTHERWISE SPECIFIED		chr	Fancy Zhang	2015/10/16				product family	PwrBlade+	rel level	Released		
surface	<input checked="" type="checkbox"/> linear <input type="checkbox"/> angular	appr	Pei-Ming Zheng	2015/10/16			0.X ±0.5 0.XX ±0.25 0.XXX ±0.10	0° ±2°		title IHP + 12S + IHP RA PF HEADER www.fci.com	cat. no.	product - Customer Drw	sheet 1 of 3
						product family PwrBlade+	rel level Released	rev B	dwg no 10106263-2003001	status: Released	printed: Oct 19, 2015		



Copyright FCI.

PRODUCT NO.	ROWS		POWER		SIG			POWER		
		E1	P1	1	2	3	P2	E2		
10106263-2003001LF	DCBA		HE	SD	SD	SD	HE	HE		
			LA	SB	SB	SB	LA	LA		



$2X \ \phi 3.05 \pm 0.13$	NOTE 6
$\phi 0.10$	V U
$\phi 1.02 \pm 0.07$	TYP
	NOTE 6, 7
$\phi 0.10$	V U

CODE	DESCRIPTION
HE	STD HIGH POWER CONTACT
LA	LMFB SIGNAL CONTACT, ROW A
SA	STD SIGNAL CONTACT, ROW A
SB	STD SIGNAL CONTACT, ROW B
SC	STD SIGNAL CONTACT, ROW C
SD	STD SIGNAL CONTACT, ROW D

dr	Bob Xie	2013/06/27	projection		size	A3	scale	3:2
eng	Zhen-Hua Liu	2015/10/14		← →	ecn no	ELX-DG-22145-1	rel level	Released
chr	Fancy Zhang	2015/10/16						
appr	Pei-Ming Zheng	2015/10/16	product family	PwrBlade+				
			title	IHP + 12S + IHP		dwg no	10106263-2003001	
www.fci.com			cat. no.	Product - Customer Drw		rev	B	
			sheet 2 of 3					

Copyright FCI.

NOTES:

- 1) "FCI", PART NUMBER AND DATE CODE TO BE MARKED ON THIS SURFACE.
THE P/N CAN BE OMITTED IF THERE IS NOT ENOUGH SPACE ON THIS SURFACE.
- 2) MATERIALS:
-HOUSING - GLASS FILLED WITH HIGH TEMP THERMOPLASTIC, UL94V-0.
-SIGNAL CONTACT - COPPER ALLOY.
-POWER CONTACT - HIGH CONDUCTIVITY COPPER ALLOY.
- 3) PLATING SPECIFICATION : 10116351
- 4) DENOTES CONNECTOR KEEP OUT ZONE.
- 5) DATUM AND BASIC DIMENIONS WERE ESTABLISHED BY CUSTOMER.
- 6) ALL HOLE DIAMETERS ARE FINISHED HOLE SIZES.
- 7) 1.15±0.025MM DRILLED HOLE PLATED WITH 0.00762MM MIN Sn
OVER 0.0254-0.0762MM Cu PLATING TO ACHIEVE A 1.02±0.07MM HOLE.
- 8) PRODUCT SPECIFICATION : GS-12-658.
APPLICATION SPECIFICATION :GS-20-141.
PRODUCT PACKAGE SPECIFICATION: GS-14-1502.



Copyright FCI.

dr	Bob Xie	2013/06/27	projection 	MM 	size	A3	scale	3:2
eng	Zhen-Hua Liu	2015/10/14			ec n no	ELX-DG-22145-1		
chr	Fancy Zhang	2015/10/16			product family	PwrBlade+	rel level	Released
appr	Pei-Ming Zheng	2015/10/16						
		title			IHP + 12S + IHP	dwg no		10106263-2003001
www.fci.com		cat. no.			Product - Customer Drw		sheet 3 of 3	
					rev		B	