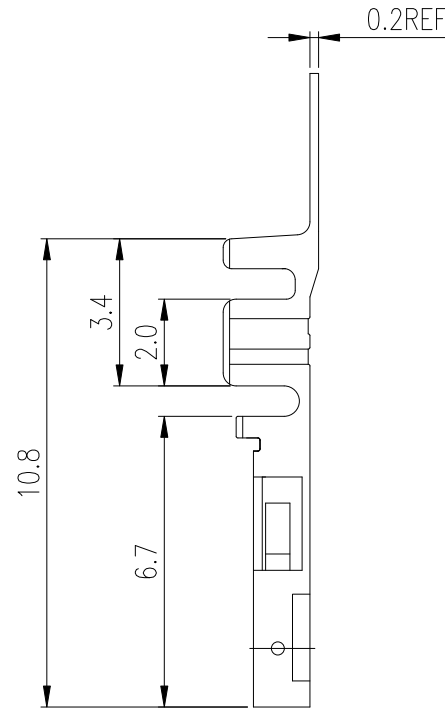
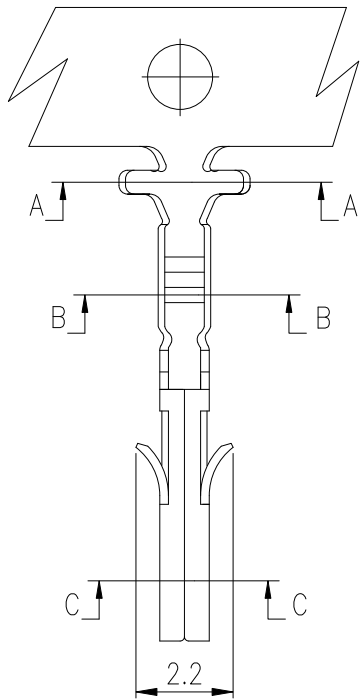


PRODUCT NUMBER  
10127718-00XXLF

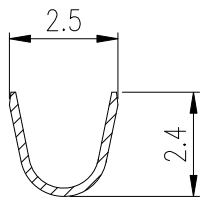


NOTES:

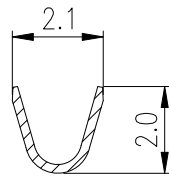
1. MATERIAL:  
TERMINAL: PHBR
2. FINISH:  
MIN. 30u" NICKEL OVERALL UNDERPLATING.  
OPTIONAL PLATING ON CONTACT AREA.
3. PLATE TYPE: OPTIONS.
4. TERMINAL Q'ty/REEL: 10,000PCS.
5. APPLICABLE WIRES: AWG#30~#20, INSULATOR O.D:  
1.27~1.85mm.
6. THIS TERMINAL IS USED WITH FCI RECEPTACLE HSG  
10127716.
7. PRODUCT SPECIFICATION: GS-12-1177.
8. PACKAGE SPECIFICATION: GS-14-2359.
9. PRODUCT NUMBER SCHEME:  
10127718-00 X X LF

PLATING TYPE  
P: PRE-PLATED  
BLANK: POST-PLATED

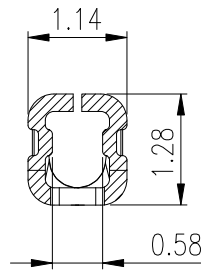
PLATING CODE  
1: 80u" TIN OVERALL, CONTACT AREA  
COATED WITH LUBRICANT (POST-PLATED)  
2: GOLD FLASH (PRE-PLATED).  
3: 15u" Au (PRE-PLATED)  
4: 30u" Au (PRE-PLATED)



SEC A-A



SEC B-B



SEC C-C  
SCALE 2:1

mat'l. code				surface		tolerance	projection	product family			
ltr				ecn no		dr	date	tolerances unless otherwise specified		title	
A				TAI		2013-10-21		X.X ±0.4		RECEPTACLE CRIMP TERMINAL FOR	
B				ELX-T-17032		TAI	2014-02-25	angles		MINITEK PWR3.0 WIRE CONNECTOR	
C				ELX-T-18006		TAI	2014-06-19	X°±2°		scale	
D				ELX-T-21533		TAI	2015-07-15	dr		KENNY TAI 2013-10-21	
E				ELX-T-23008		TAI	2016-01-12	enr		KENNY TAI 2013-10-21	
								chr		KENNY TAI 2013-10-21	
								appd		PM ZHENG 2013-11-06	
sheet index		revision sheet		E		1					



FCI  
sheet 1 of 1 size A4  
10127718  
CUSTOMER Drawing