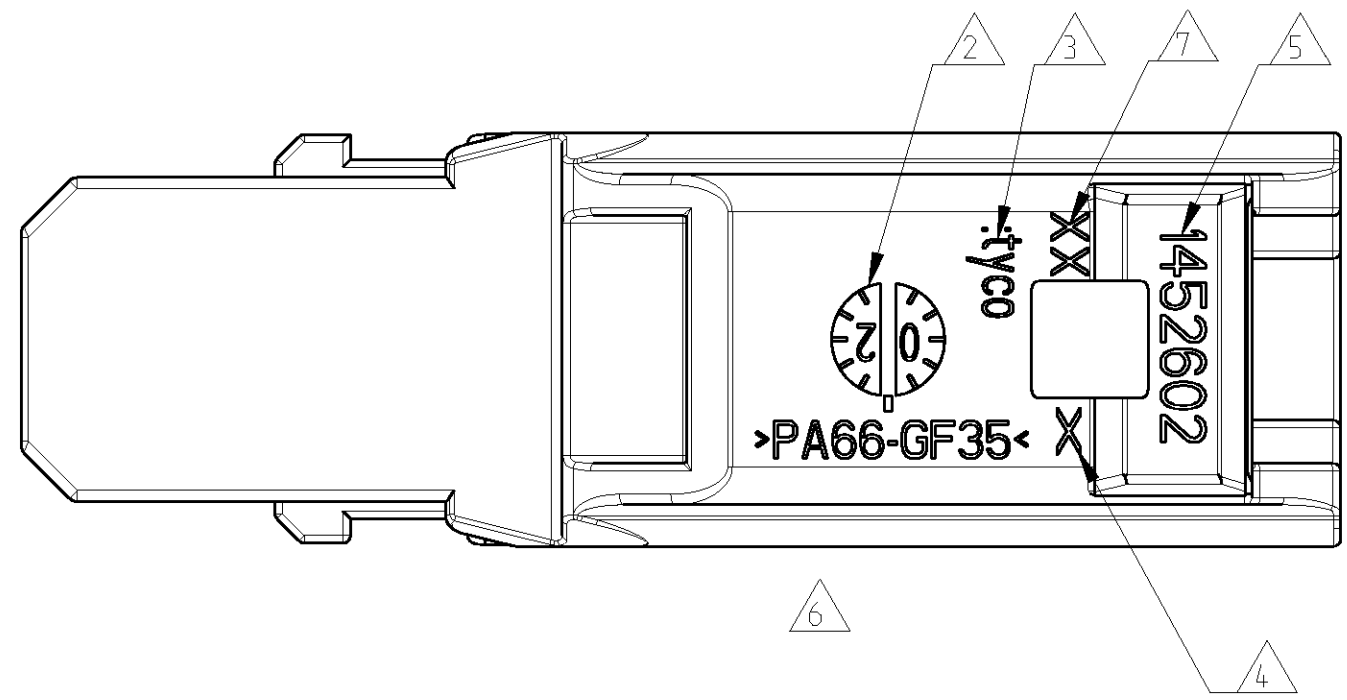
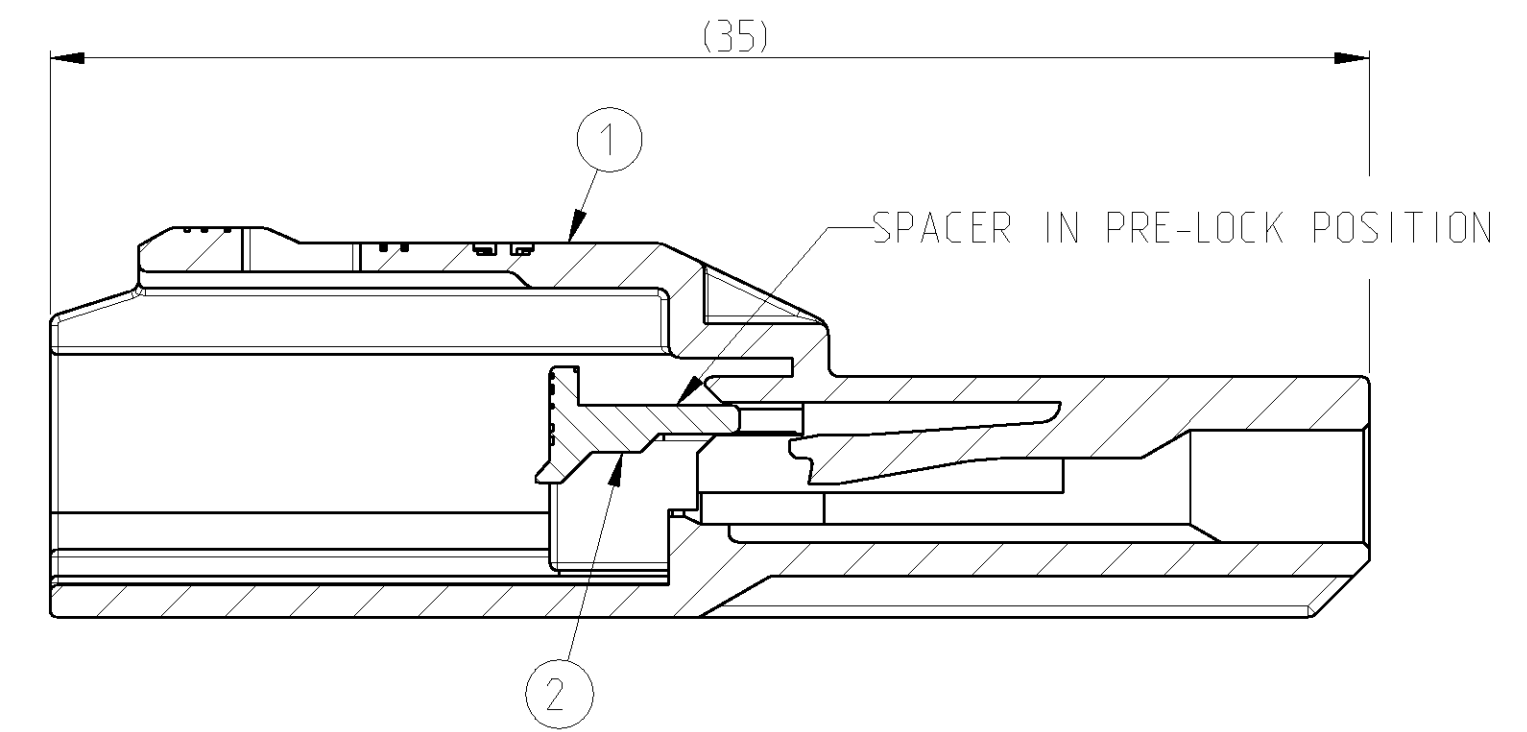
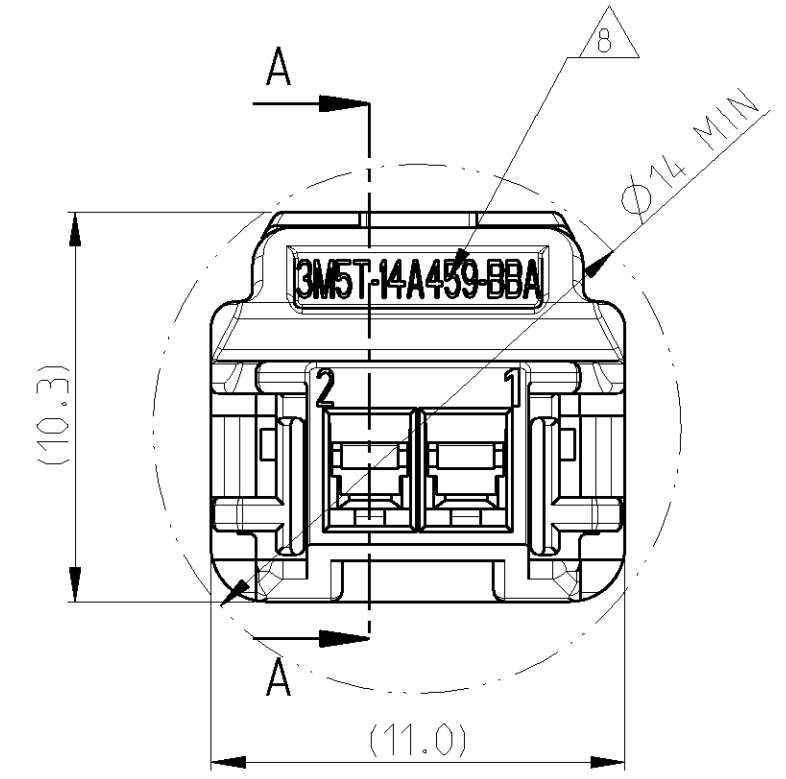
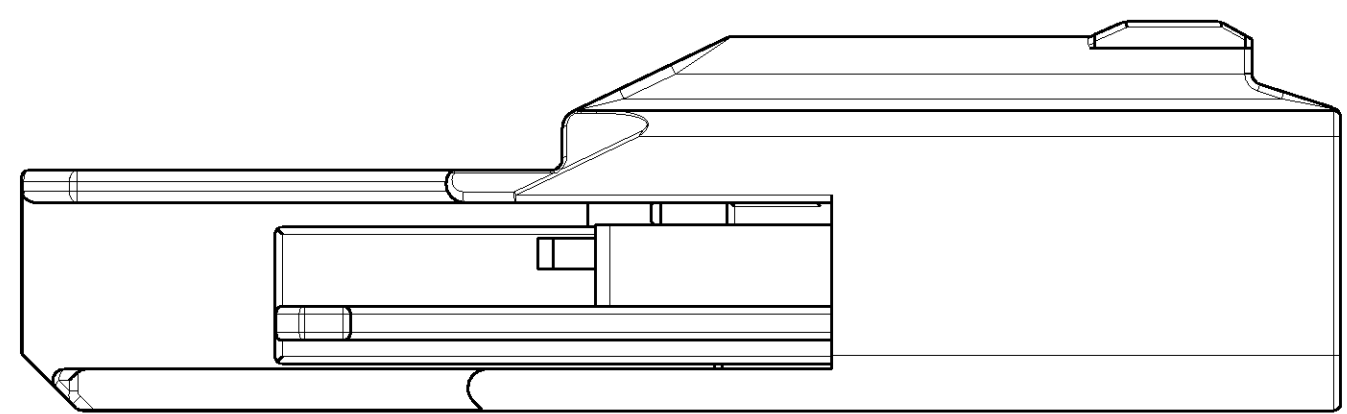
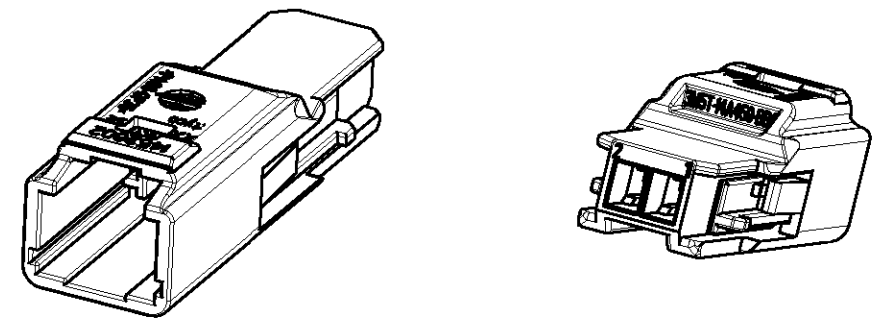


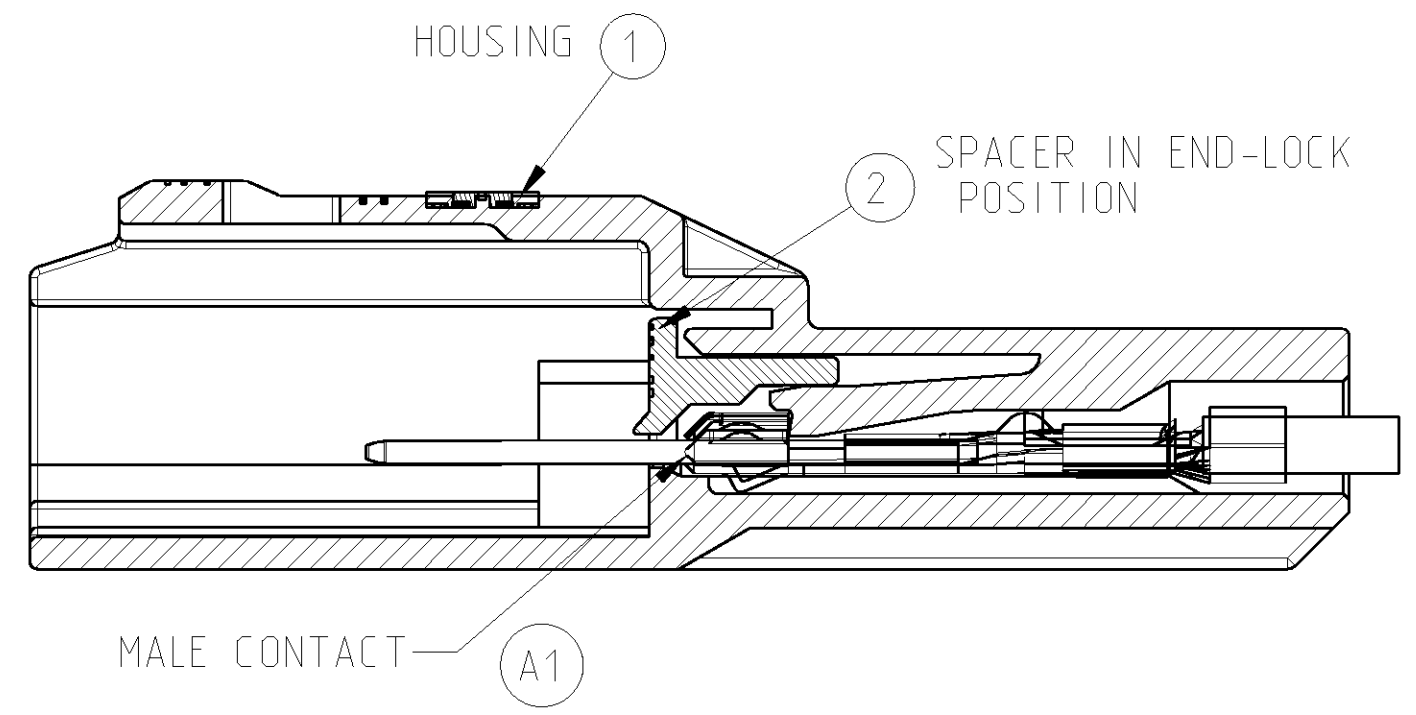
LOC	DIST	REVISIONS			
P	LTR	DESCRIPTION	DATE	DWN	APVD
A1	-	A-A			
	D	SEE ECR-07-000103	04JAN2007	HM	GS



- NOTES:
Bemerkungen:
- 1 DELIVERY CONDITION: SPACER IN PRE-INSTALLED POSITION
Lieferbedingungen: Spacer in Vorraststellung
 - 2 PRODUCTION-DATE WITH DATE INSERT Ø3mm
Produktionsdatum mit Datumsuhr Ø3mm
 - 3 TYCO-LOGO
TYCO-Logo
 - 4 CAVITY MARKING
Nestmarkierung
 - 5 TYCO -PART NO:
TYCO -Teile Nr.:
 - 6 MATERIAL IDENTIFICATION TO VDA 260
Werkstoffkennzeichnung nach VDA 260
 - 7 REVISION OF PART
Änderungsindex des Teils
 - 8 CUSTOMER PN.
Kundennummer
 - 9 BULK PACKAGE - PARTS IN BOX PN: 973058-3
Verpackung: Schuetftgut - Teile in Karton PN: 973058-3

THE CONTACT IS NOT A PART OF THE DELIVERY ASSY.

APPLICABLE MALE-CONTACTS tyco-PN
3-1419158-1
1-1419158-6
2-1419158-3
2-1419158-5



ASSY PART NO	ASSY. REV.	QTY REQD PER ASSY	PART NO	DESCRIPTION	MATERIAL	COLOUR	ITEM NO
0-1452601-1	D	1x	0-1452603-1	SPACER	PBT-GF30	RED	2
		1x	0-1452602-1	MALE HOUSING	PA66-GF35	Black	1
REVISION OF EACH ASSY NO (WHEN BLANK, USE DWG REVISION)							
PARTS LIST							

THIS DRAWING IS A CONTROLLED DOCUMENT FOR TYCO ELECTRONICS CORPORATION IT IS SUBJECT TO CHANGE AND THE CONTROLLING ENGINEERING ORGANIZATION SHOULD BE CONTACTED FOR THE LATEST REVISION.		DWN K.ROTH 21JUN2002 CHK G.STEINBACH 10JUL2002 APVD G.MUMPER 01AUG2002	tyco Electronics tyco Electronics AMP GmbH D - 64625 Bensheim
DIMENSIONS: mm	TOLERANCES UNLESS OTHERWISE SPECIFIED: 0 PLC ± 1 PLC ± 2 PLC ± 3 PLC ± 4 PLC ± ANGLES ° ± FINISH -	PRODUCT SPEC - APPLICATION SPEC - WEIGHT -	NAME 1X2 POS. GET MALE HOUSING ASSEMBLY UNSEALED SIZE A2 CAGE CODE 00779 DRAWING NO C-1452601 RESTRICTED TO -
MATERIAL -		CUSTOMER DRAWING	
		SCALE 5:1	SHEET 1 OF 1 REV D